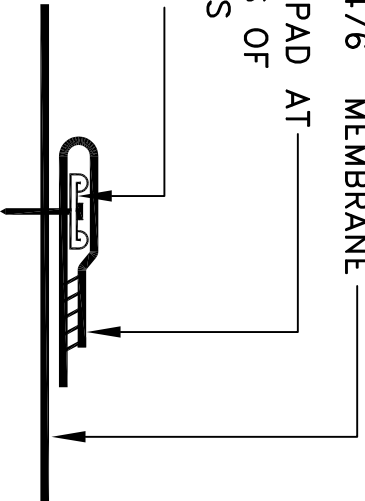


SARNAFIL G476 MEMBRANE

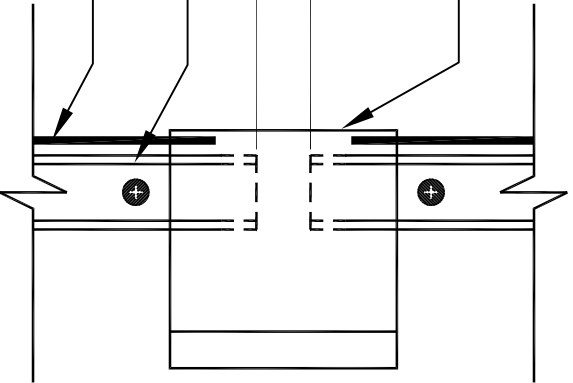
PROTECTION PAD AT JOINTS/ENDS OF SARNABAR-SS

SARNABAR-SS FASTENED 12" O.C.



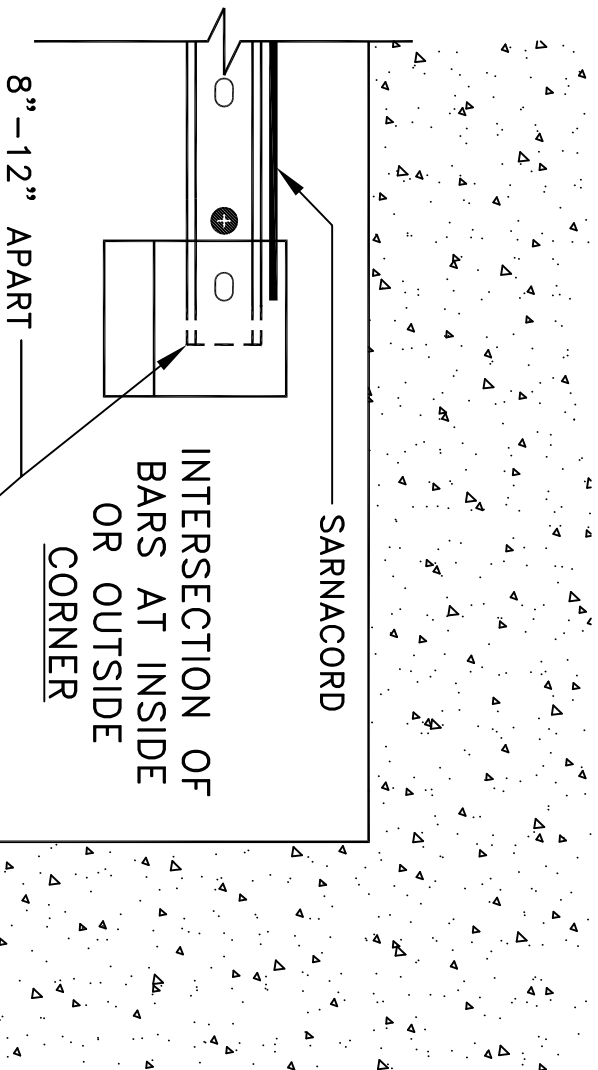
CROSS SECTION

4" WIDE PROTECTION PAD, HOT-AIR WELDED
MIN. 1/2 INCH
SARNABAR-SS AND SARNAFASTENER
SARNACORD



NOTE:
1) PROTECTION PADS ARE INSTALLED PRIOR TO FASTENING SARNABAR-SS

SARNABAR-SS

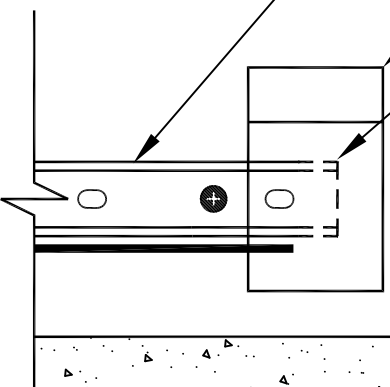


3" WIDE PROTECTION PAD, HOT-AIR WELDED

8"-12" APART

INTERSECTION OF BARS AT INSIDE OR OUTSIDE CORNER

SARNABAR-SS & SARNAFASTENER



JOB NAME:

XXXX
XXXX

BUILDING TRUST

781-828-5400



usa.sarnafil.sika.com

SCALE: N.T.S.

DATE: 5/15

FILE NO.: GRLL-10.1

DRW. NO.: XXX

AS A MEMBRANE MANUFACTURER, SIKA CORPORATION ('SIKA') REVIEWS DETAILS PREPARED BY THE CONSULTANT, ARCHITECT AND/OR ENGINEER FOR THE PURPOSE OF DETERMINING IF A SIKA WARRANTY MAY ISSUE FOR THE PROJECT. THIS REVIEW IS NOT TO BE CONSTRUED AS APPROVAL OF DETAILS BY SIKA AND IS NOT BEING CONDUCTED IN LIEU OF SOUND ENGINEERING AND ARCHITECTURAL PRACTICES AND JUDGMENT AND SHOULD NOT BE RELIED UPON FOR THAT PURPOSE. SIKA CORPORATION ASSUMES NO LIABILITY WITH RESPECT TO THE DESIGN OR WATERPROOFING SYSTEM, THE ARCHITECT, CONSULTANT AND/OR ENGINEER OR DESIGN PROFESSIONAL FOR A PARTICULAR PROJECT BEARS THE SOLE RESPONSIBILITY FOR THE DESIGN OF THE ROOFING OR WATERPROOFING SYSTEM. FOR THE PREPARATION AND APPROVAL OF THE DETAILS AND SHOP DRAWINGS, AND FOR DETERMINING THEIR SUITABILITY FOR A PARTICULAR PROJECT OR APPLICATION, WHILE SIKA PROVIDES GENERAL INSTRUCTIONS FOR THE INSTALLATION OF ITS MEMBRANE AS WELL AS TRAINING FOR SIKA AUTHORIZED APPLICATORS, THE MEANS AND METHODS USED BY THE CONTRACTOR FOR SURFACE PREPARATION AS WELL AS THE MEANS AND METHODS EMPLOYED BY THE CONTRACTOR IN THE INSTALLATION OF THE SIKA MEMBRANE ARE THE RESPONSIBILITY OF THE CONTRACTOR. ALL SALE OF SIKA PRODUCTS AND SERVICES ARE SUBJECT TO SIKA TERMS AND CONDITIONS OF SALE AVAILABLE AT USA.SARNAFIL.SIKA.COM.