

SIKA MEMBRAN® 540 SELF-ADHERED
TRANSITION SEAM TAPE

SIKAMULTISEAL® 500 FLASHING MEMBRANE

STEEL LINTEL ANGLE

SIKAFLEX® OR SIKASIL® SEALANT

SIKA MEMBRAN® 540 SELF-ADHERED
TRANSITION SEAM TAPE

SIKA MEMBRAN® 540 SELF-ADHERED
TRANSITION SEAM TAPE
OR SIKAFLEX® 102 EVERFLASH MEMBRANE

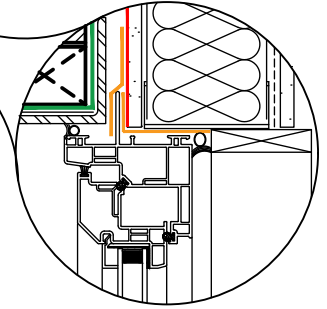
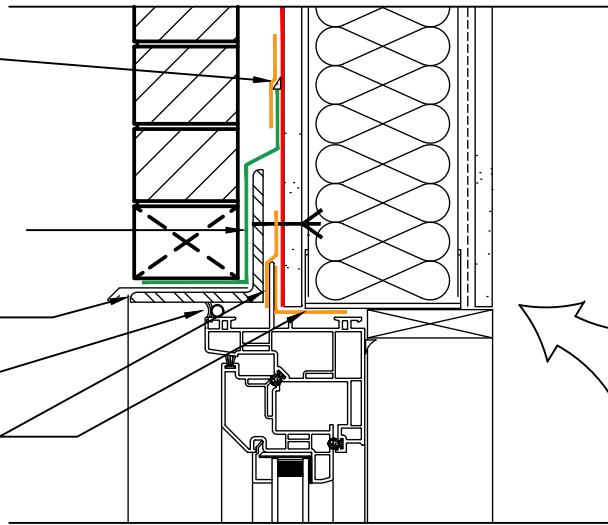
SIKA MEMBRAN® 540 SELF-ADHERED
TRANSITION SEAM TAPE

BRICK VENEER AIR SPACE
SIKA MEMBRAN 540 SELF-ADHERED
TRANSITION SEAM TAPE
SIKAGARD LIQUID APPLIED VAPOR PERMEABLE
AIR BARRIER
EXTERIOR SHEATHING
STUD FRAMING
INSULATION

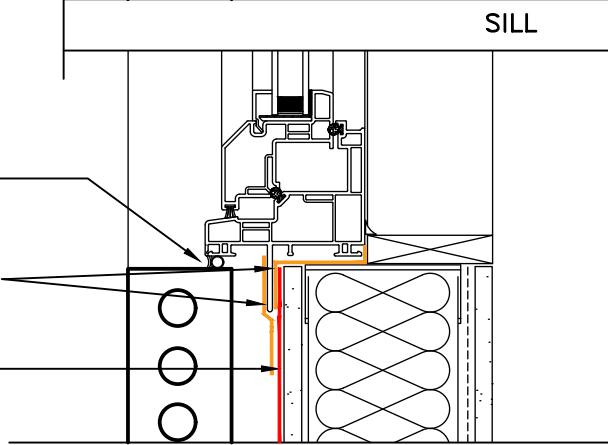
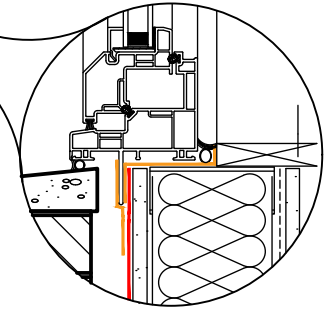
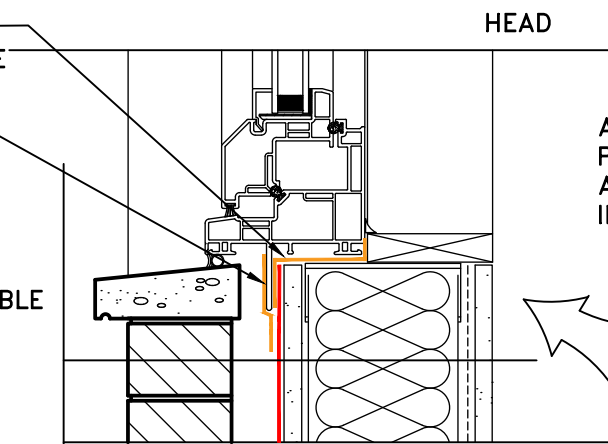
SIKAFLEX® OR SIKASIL® SEALANT

SIKA MEMBRAN® 540 SELF-ADHERED
TRANSITION SEAM TAPE

SIKAGARD® LIQUID APPLIED VAPOR
PERMEABLE AIR BARRIER



ALTERNATE METHOD:
PROVIDE BACKER ROD
AND SEALANT AT
INTERIOR CONNECTIONS.



HEAD

SILL

JAMB

NOTES:

1. A CONTINUOUS PLANE OF AIR TIGHTNESS IS ACHIEVED WHEN THE AIR BARRIER CONNECTION TO THE WINDOW FRAME IS WELL INTEGRATED.
2. THERE ARE SEVERAL COMBINATIONS FOR WINDOW ATTACHMENT AND DETAILING. REFER TO AAMA STANDARDS.
3. REFER TO SIKA TECHNICAL DATA SHEETS AND GUIDE SPECIFICATIONS FOR RECOMMENDED INSTALLATION PROCEDURES AND COMPATIBLE SEALANTS.
4. DETAIL REPRESENTS GENERAL ARRANGEMENT OF MATERIALS AND ASSEMBLIES. PROJECT SPECIFICATIONS GOVERN. DO NOT SCALE.
5. APPLYING THE LIQUID AIR BARRIER OVER SIKA MEMBRAN 540 IS NOT REQUIRED.
7. SIKA DETAIL IS NOT INTENDED TO SHOW EXACT CONSTRUCTION DETAILING, BUT IS SIMPLY SHOWN HERE AS A REPRESENTATIVE TYPE DETAIL TO HIGHLIGHT THE AIR BARRIER AND TRANSITION MATERIALS.



1-800-933-SIKA (7452)
www.sikausa.com

JOB NAME:

DETAIL TITLE

WINDOW B DETAIL

SCALE:

N.T.S.

DATE:

03/30/2022

FILE NO.:

DRW. NO.:

AB-5

AS A MANUFACTURER OF CONSTRUCTION PRODUCTS, SIKA CORPORATION PROVIDES GENERIC DETAILS AS A GENERAL GUIDE FOR INFORMATION PURPOSES ONLY. THESE DETAILS ARE NOT INTENDED TO REPLACE SOUND ENGINEERING AND ARCHITECTURAL PRACTICES AND SHOULD NOT BE RELIED UPON FOR THAT PURPOSE. SIKA CORPORATION ASSUMES NO LIABILITY WITH RESPECT TO THE DESIGN OF THE SYSTEM. THE ARCHITECT, CONSULTANT AND/OR ENGINEER OR DESIGN PROFESSIONAL FOR A PARTICULAR PROJECT BEARS THE SOLE RESPONSIBILITY FOR THE DESIGN OF THE SYSTEM, FOR THE PREPARATION AND APPROVAL OF THE PROJECT SPECIFICATIONS, DETAILS AND SHOP DRAWINGS, AND FOR DETERMINING THEIR SUITABILITY FOR A PARTICULAR PROJECT OR APPLICATION. WHILE SIKA PROVIDES GENERAL INSTRUCTIONS FOR THE INSTALLATION OF ITS MATERIALS, THE MEANS AND METHODS USED BY THE CONTRACTOR FOR MATERIAL STORAGE, SUBSTRATE EVALUATION, SURFACE PREPARATION, AND THE INSTALLATION OF BOTH SIKA AND NON-SIKA MATERIALS ARE THE RESPONSIBILITY OF THE CONTRACTOR. THE CONTRACTOR MUST ALWAYS READ AND FOLLOW THE WARNINGS AND INSTRUCTIONS ON SIKA PRODUCT LABELS, TECHNICAL DATA SHEETS, AND MATERIAL SAFETY DATA SHEETS AVAILABLE AT WWW.SIKAUSA.COM. SIKA CORPORATION MAKES NO WARRANTY OF ANY KIND, EITHER EXPRESS OR IMPLIED, AS TO THE CONTENT OF THIS GUIDE DETAIL. SIKA SHALL NOT BE RESPONSIBLE UNDER ANY LEGAL THEORY TO ANY THIRD PARTY FOR ANY DIRECT OR CONSEQUENTIAL DAMAGES OF ANY KIND ARISING FROM THE USE OF THIS GUIDE DETAIL. ALL PRODUCTS AND SERVICES PROVIDED BY SIKA CORPORATION ARE SUBJECT TO ITS TERMS AND CONDITIONS OF SALE AVAILABLE AT WWW.SIKAUSA.COM.