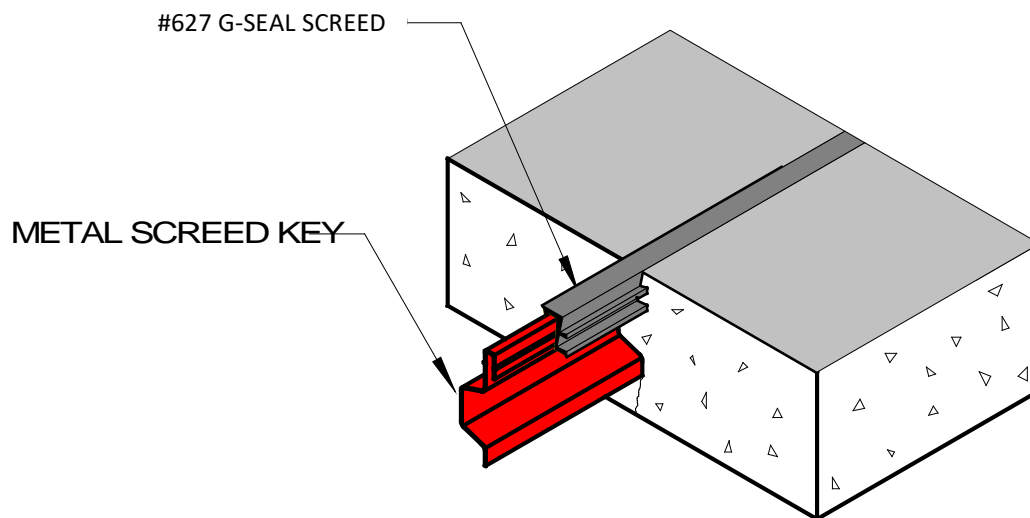


G-SEAL SCREED CAP INSTALLATION GUIDE

G-SEAL SCREED CAP: PATENT NO. 5,375,386



INSTALLATION STEPS

- 1.) Use factory fabrications for intersections and changes of direction. All sections to be spliced shall be cut square and bonded together using 3M Scotch-Grip 4475 Plastic Adhesive.
- 2.) Place concrete using normal placement techniques utilizing G-SEAL as a screed rail. Vibrate concrete to insure good consolidation around the G-SEAL.

THINGS TO AVOID

Insufficient concrete at the G-SEAL profile – G-SEAL should be flush or slightly below the finished concrete surface. Concrete will not adhere to the top of G-SEAL.

Tooling of the joint – G-SEAL provides a finished joint. **DO NOT TOOL!**

Improper dowel alignment – Regardless of the joint sealing method used, improper dowel alignment may cause cracking or spalling. Proper use of a dowel aligning device will eliminate this concern.

Sika Corporation - US
201 Polito Avenue
Lyndhurst, NJ 07071
United States
Usa.Sika.com

For More Information Contact
Sika - St. Louis Sales Office
3400 Tree Court Industrial Blvd.
63122, St. Louis, MO
United States
www.USA.Sika.com
Phone: 1-800-325-9504
Fax: 800-551-5145