

BEVELED WOOD BLOCKING COMPLETELY COVERED WITH SARNAFIL G410 FLASHING

SIKAFLEX-1A OR SIKASIL SG-15 SEALANT TO CLEAN SURFACE

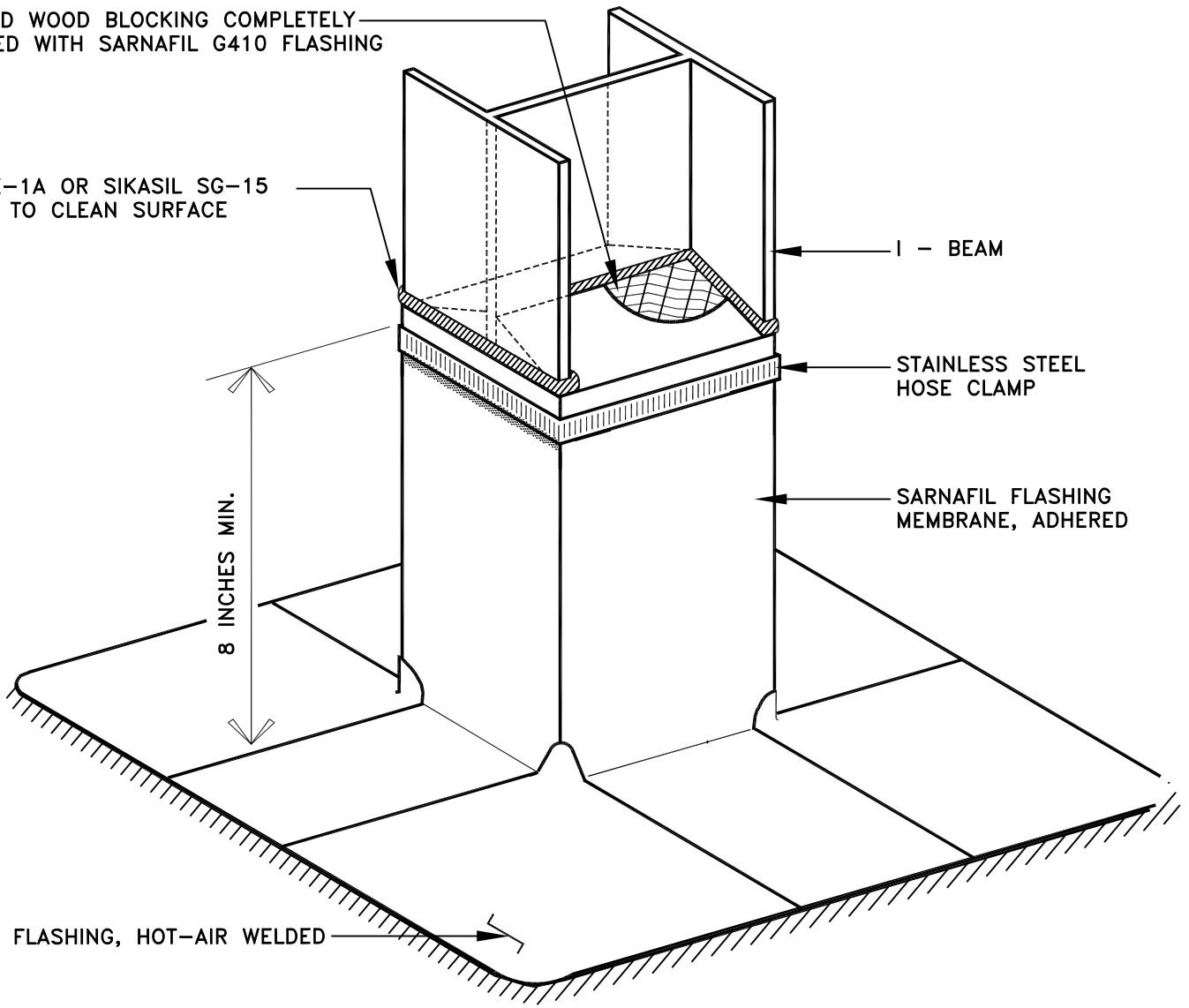
I - BEAM

STAINLESS STEEL HOSE CLAMP

SARNAFIL FLASHING MEMBRANE, ADHERED

8 INCHES MIN.

SARNAFIL FLASHING, HOT-AIR WELDED



NOTES:

- 1) SARNAFASTENER AND SARNA DISC UNDER BASE FLASHING NOT SHOWN.
- 2) SEALANT IS A MAINTENANCE ITEM. MAINTENANCE IS NOT COVERED UNDER THE SARNAFIL WARRANTY.

I - BEAM FLASHING

BUILDING TRUST

781-828-5400



usa.sarnafil.sika.com

JOB NAME:

SCALE: N.T.S.

DATE: 7/17

FILE NO.: 7-6

DRW. NO.: XXX

AS A MEMBRANE MANUFACTURER, SIKA CORPORATION ("SIKA") REVIEWS DETAILS PREPARED BY THE CONSULTANT, ARCHITECT AND/OR ENGINEER FOR A PROJECT SOLELY FOR THE PURPOSE OF DETERMINING IF A SIKA WARRANTY MAY ISSUE FOR THE PROJECT. THIS REVIEW IS NOT TO BE CONSTRUED AS APPROVAL OF DETAILS BY SIKA AND IS NOT BEING CONDUCTED IN LIEU OF SOUND ENGINEERING AND ARCHITECTURAL PRACTICES AND JUDGMENT AND SHOULD NOT BE RELIED UPON FOR THAT PURPOSE. SIKA CORPORATION ASSUMES NO LIABILITY WITH RESPECT TO THE DESIGN OF THE ROOFING OR WATERPROOFING SYSTEM, THE ARCHITECT, CONSULTANT AND/OR ENGINEER OR DESIGN PROFESSIONAL FOR A PARTICULAR PROJECT BEARS THE SOLE RESPONSIBILITY FOR THE DESIGN OF THE ROOFING OR WATERPROOFING SYSTEM, FOR THE PREPARATION AND APPROVAL OF THE DETAILS AND SHOP DRAWINGS, AND FOR DETERMINING THEIR SUITABILITY FOR A PARTICULAR PROJECT OR APPLICATION, WHILE SIKA PROVIDES GENERAL INSTRUCTIONS FOR THE INSTALLATION OF ITS MEMBRANE AS WELL AS TRAINING FOR SIKA AUTHORIZED APPLICATORS. THE MEANS AND METHODS USED BY THE CONTRACTOR FOR SURFACE PREPARATION AS WELL AS THE MEANS AND METHODS EMPLOYED BY THE CONTRACTOR IN THE INSTALLATION OF THE SIKA MEMBRANE ARE THE RESPONSIBILITY OF THE CONTRACTOR. ALL SALE OF SIKA PRODUCTS AND SERVICES ARE SUBJECT TO SIKA' TERMS AND CONDITIONS OF SALE AVAILABLE AT USA.SARNAFIL.SIKA.COM.