



Interior Floors

On-Ground or Above-Ground Concrete, Bonded Sound Control Membrane, Ceramic Tile

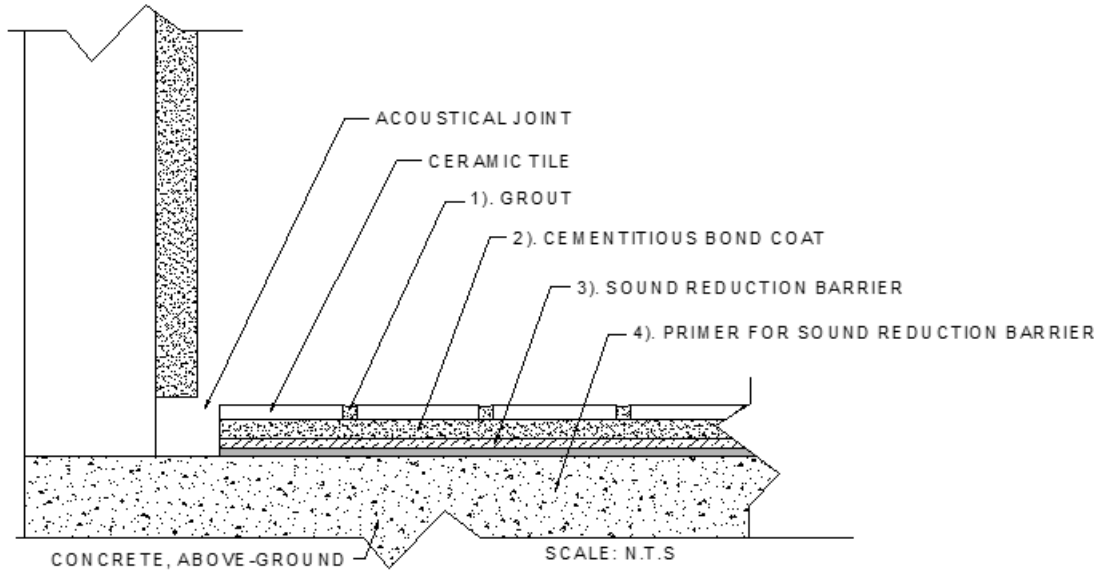
SikaTile®: ST- F136

TCNA: F136*

*See TCNA for complete uses and limitations.

PROJECT NAME:

DATE:



DRAWING DEPICTS TILE INSTALLATION ONLY. THICKNESS OF CONCRETE AND WHETHER SUSPENDED CEILING IS USED ARE NOT SHOWN. SOUND REDUCTION WILL BE DRAMATICALLY HIGHER WHEN A SUSPENDED CEILING IS USED.

Reference Standards

Minimum Product Requirements:

- Epoxy Grout: ANSI A118.3
- Cementitious Grout: ANSI A118.6
- Cementitious Bond Coat: ANSI A118.4
- Bonded Sound Control Membrane ANSI A118.13

Environmental Classification:

- Residential (Res) 1
- Commercial (Comm) 1

SikaTile® Product Assembly

1. Grout Options:

- a. SikaTile®-815 Secure Grout
- b. SikaTile®-800 Sanded Grout
- c. SikaTile®-800 Unsanded Grout
- d. SikaTile®-825 Epoxy Grout
- e. SikaTile®-850 Ultima Grout

2. Cementitious Bond Coat Options:

- a. SikaTile®-400 LHT Pro Set (White/Gray)
- b. SikaTile®-450 LHT Secure Set (White/Gray)
- c. SikaTile®-475 LHT Premium Set (White)
- d. SikaTile®-500 LHT Lite (White/Gray)

3. Sound Reduction Membrane Options:

- a. SikaTile®-700 Sound Shield PNS 90
- b. SikaTile®-225 Fracture Guard PNS 40

4. Primer for Sound Reduction Membrane:

- a. SikaTile® level 01 Primer

The preceding specifications are provided by Sika Corporation as a guide for informational purposes only and are not intended to replace sound engineering practice and judgment and should not be relied upon for that purpose. Sika Corporation makes no warranty of any kind, either express or implied, as to the accuracy, completeness, or the contents of these guide specifications. Sika Corporation assumes no liability with respect to the provision or use of these guide specifications, nor shall any legal relationship be created by, or arise from, the provision of such specifications. SIKI SHALL NOT BE RESPONSIBLE UNDER ANY LEGAL THEORY TO ANY THIRD PARTY FOR ANY DIRECT OR CONSEQUENTIAL DAMAGES OF ANY KIND ARISING FROM THE USE OF THESE GUIDE SPECIFICATIONS. The specifier, architect, engineer or design professional or contractor for a particular project bears the sole responsibility for the design of the system and for the preparation and approval of the specifications and determining their suitability for a particular project or application. Prior to each use of any Sika product, the user must always read and follow the warnings and instructions on the product's most current Technical Data Sheet, product label and Material Safety Data Sheet which are available at www.usa.sika.com or by calling 800-933-7452. Nothing contained in any Sika materials relieves the user of the obligation to read and follow the warnings and instructions for each Sika product as set forth in the current Technical Data Sheet, product label and Material Safety Data Sheet prior to product use. All products and services provided by Sika Corporation are subject to its terms and conditions of sale available at www.us.sika.com.