

WARM PIPE-METAL SLEEVE
REQ'D. @ 150°F OR GREATER

SIKAFLEX® SEALANT (SEE NOTE)

RAIN HOOD W/ STAINLESS STEEL
HOSE CLAMP (BY OTHERS)

SIKALASTIC® MEMBRANE

SIKALASTIC® FLASHING
MEMBRANE, FINGER CUT WRAP

SIKALASTIC® FLASHING
MEMBRANE, TURTLENECK

SIKA PRIMER

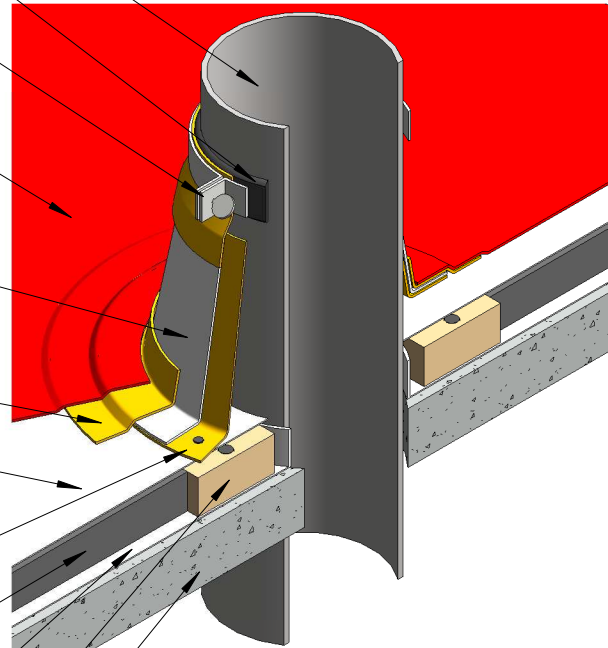
FASTEN METAL SLEEVE TO
WOOD BLOCKING 6" O.C.

INSULATION / COVER BOARD
SECURELY FASTENED

AIR / VAPOR BARRIER (AS REQUIRED)

TREATED WOOD NAILER
SECURELY ANCHORED

STRUCTURAL DECK



NOTES:

- 1) NAILERS SHALL BE SECURELY ANCHORED TO THE DECK TO RESIST A FORCE OF 300 POUNDS PER LINEAR FOOT IN ANY DIRECTION.
- 2) SEALANT IS A MAINTENANCE ITEM NOT COVERED UNDER WARRANTY.
- 3) VAPOR BARRIER SHALL BE SEALED AT EDGES.



1-800-933-SIKA (7452)
www.sikausa.com

JOB NAME:

DETAIL TITLE

HOT STACK FLASHING

SCALE:

NTS

DATE:

10/13

FILE NO.:

LAM

DRW. NO.:

BU.4.03

AS A MANUFACTURER OF CONSTRUCTION PRODUCTS, SIKA CORPORATION PROVIDES GENERIC DETAILS AS A GENERAL GUIDE FOR INFORMATION PURPOSES ONLY. THESE DETAILS ARE NOT INTENDED TO REPLACE SOUND ENGINEERING AND ARCHITECTURAL PRACTICES AND SHOULD NOT BE RELIED UPON FOR THAT PURPOSE. SIKA CORPORATION ASSUMES NO LIABILITY WITH RESPECT TO THE DESIGN OF THE SYSTEM. THE ARCHITECT, CONSULTANT AND/OR ENGINEER OR DESIGN PROFESSIONAL FOR A PARTICULAR PROJECT BEARS THE SOLE RESPONSIBILITY FOR THE DESIGN OF THE SYSTEM, FOR THE PREPARATION AND APPROVAL OF THE PROJECT SPECIFICATIONS, DETAILS AND SHOP DRAWINGS, AND FOR DETERMINING THEIR SUITABILITY FOR A PARTICULAR PROJECT OR APPLICATION. WHILE SIKA PROVIDES GENERAL INSTRUCTIONS FOR THE INSTALLATION OF ITS MATERIALS, THE MEANS AND METHODS USED BY THE CONTRACTOR FOR MATERIAL STORAGE, SUBSTRATE EVALUATION, SURFACE PREPARATION, AND THE INSTALLATION OF BOTH SIKA AND NON-SIKA MATERIALS ARE THE RESPONSIBILITY OF THE CONTRACTOR. THE CONTRACTOR MUST ALWAYS READ AND FOLLOW THE WARNINGS AND INSTRUCTIONS ON SIKA PRODUCT LABELS, TECHNICAL DATA SHEETS, AND MATERIAL SAFETY DATA SHEETS AVAILABLE AT WWW.SIKAUSA.COM. SIKA CORPORATION MAKES NO WARRANTY OF ANY KIND, EITHER EXPRESS OR IMPLIED, AS TO THE CONTENT OF THIS GUIDE DETAIL. SIKA SHALL NOT BE RESPONSIBLE UNDER ANY LEGAL THEORY TO ANY THIRD PARTY FOR ANY DIRECT OR CONSEQUENTIAL DAMAGES OF ANY KIND ARISING FROM THE USE OF THIS GUIDE DETAIL. ALL PRODUCTS AND SERVICES PROVIDED BY SIKA CORPORATION ARE SUBJECT TO ITS TERMS AND CONDITIONS OF SALE AVAILABLE AT WWW.SIKAUSA.COM.