

SIKALASTIC® FLASHING BONDED TO ACCEPTABLE SUBSTRATE. RETURN INTO A SAW CUT PER JOB REQUIREMENTS

REFER TO PARAPET AND WALL DETAILS FOR ACCEPTABLE TERMINATION

SIKALASTIC® FLASHING BONDED TO ACCEPTABLE SUBSTRATE

SIKAFLEX SEALANT & BACKER ROD

BOND BREAKER TAPE

FOAM ROD TUBING (COMPATIBLE) @ 25% COMPRESSION

BATT INSULATION

ADDITIONAL 15 MIL WFT SIKALASTIC TOP COAT BROADCAST TO REJECTION WITH 20/30 GRIT QUARTZ SAND.

STRUCTURAL DECK / EXISTING SUBSTRATE

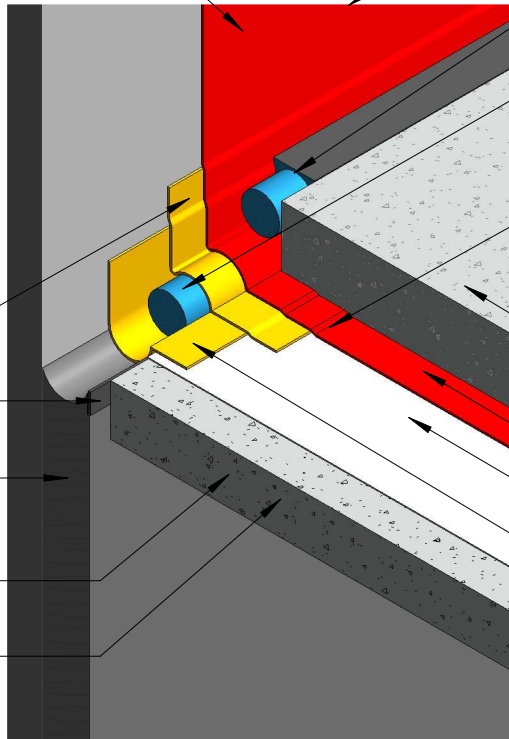
CONCRETE TOPPING SLAB 2" MIN. MINIMUM 2500 PSI

INSULATION SECURELY FASTENED

SIKALASTIC® MEMBRANE

SIKA® PRIMER

SIKALASTIC® FLASHING CRADLE BONDED TO SUBSTRATE



NOTES:

1. FOAM ROD TO EXTEND EQUALLY ABOVE & BELOW ROOF MEMBRANE LEVEL



1-800-933-SIKA (7452)
www.sikausa.com

JOB NAME:

DETAIL TITLE

HORIZONTAL TO VERTICAL EXPANSION JOINT

SCALE:

NTS

DATE:

10/13

FILE NO.:

LAM

DRW. NO.:

PMR.6.05

AS A MANUFACTURER OF CONSTRUCTION PRODUCTS, SIKA CORPORATION PROVIDES GENERIC DETAILS AS A GENERAL GUIDE FOR INFORMATION PURPOSES ONLY. THESE DETAILS ARE NOT INTENDED TO REPLACE SOUND ENGINEERING AND ARCHITECTURAL PRACTICES AND SHOULD NOT BE RELIED UPON FOR THAT PURPOSE. SIKA CORPORATION ASSUMES NO LIABILITY WITH RESPECT TO THE DESIGN OF THE SYSTEM. THE ARCHITECT, CONSULTANT AND/OR ENGINEER OR DESIGN PROFESSIONAL FOR A PARTICULAR PROJECT BEARS THE SOLE RESPONSIBILITY FOR THE DESIGN OF THE SYSTEM, FOR THE PREPARATION AND APPROVAL OF THE PROJECT SPECIFICATIONS, DETAILS AND SHOP DRAWINGS, AND FOR DETERMINING THEIR SUITABILITY FOR A PARTICULAR PROJECT OR APPLICATION. WHILE SIKA PROVIDES GENERAL INSTRUCTIONS FOR THE INSTALLATION OF ITS MATERIALS, THE MEANS AND METHODS USED BY THE CONTRACTOR FOR MATERIAL STORAGE, SUBSTRATE EVALUATION, SURFACE PREPARATION, AND THE INSTALLATION OF BOTH SIKA AND NON-SIKA MATERIALS ARE THE RESPONSIBILITY OF THE CONTRACTOR. THE CONTRACTOR MUST ALWAYS READ AND FOLLOW THE WARNINGS AND INSTRUCTIONS ON SIKA PRODUCT LABELS, TECHNICAL DATA SHEETS, AND MATERIAL SAFETY DATA SHEETS AVAILABLE AT WWW.SIKAUSA.COM. SIKA CORPORATION MAKES NO WARRANTY OF ANY KIND, EITHER EXPRESS OR IMPLIED, AS TO THE CONTENT OF THIS GUIDE DETAIL. SIKA SHALL NOT BE RESPONSIBLE UNDER ANY LEGAL THEORY TO ANY THIRD PARTY FOR ANY DIRECT OR CONSEQUENTIAL DAMAGES OF ANY KIND ARISING FROM THE USE OF THIS GUIDE DETAIL. ALL PRODUCTS AND SERVICES PROVIDED BY SIKA CORPORATION ARE SUBJECT TO ITS TERMS AND CONDITIONS OF SALE AVAILABLE AT WWW.SIKAUSA.COM.