

# Sentry Stucco Wall System

An impact and puncture resistant, cement plaster stucco system

## DESCRIPTION

Sentry Stucco System is a non-structural stucco wall system in which the cement plaster component is applied to a thickness of 9.5mm to 22mm (3/8" to 7/8") over a variety of approved substrates.

## USES

New or retrofit residential, institutional and commercial low-rise construction such as hotels, hospitals, retail centers, schools, multi-family apartments, condominiums, and government facilities.

## ACCEPTABLE SHEATHING

PermaBase® Cement Board and other cement boards conforming with ASTM C1325 (Type A exterior); poured concrete/unit masonry; ASTM C1177 type sheathings, including Weather Defense™ Platinum sheathing, GreenGlass® sheathing, eXP™ sheathing, GlasRoc® sheathing, Securock™ glass-mat sheathing, and DensGlass® exterior sheathing; gypsum sheathing (ASTM C79/ C1396); Exposure I or exterior plywood (Grade C/D or better); or Exposure I OSB.

## ADVANTAGES

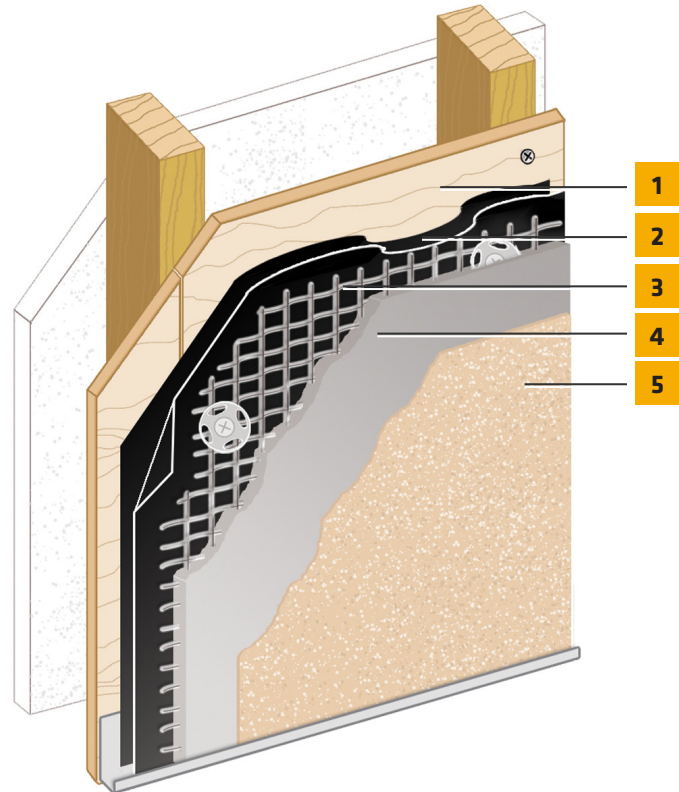
- Very resistant to impact and punctures; good for high traffic areas.
- Durable.
- Additional safeguards against incidental moisture intrusion.
- Permalath 1000 in a durable plaster base that will not rust.
- Factory prepared SikaWall Stucco Base minimizes potential site mixing errors; improves quality control.
- Fire-resistive properties.
- Low maintenance and life-cycle cost.
- Fade-, abrasion- and dirt-resistant finishes contribute to low maintenance and life-cycle costs.
- EPS shapes integrate into the system for economical architectural detailing; more valuable appearance.

## ENHANCED CRACK RESISTANCE OPTIONS

Good: SikaWall® Maxlastic Finish

Better: SikaWall SRT Mesh with Senergy base coat or SikaWall Stucco Surface Leveler

Best: SikaWall\* SAT Mesh with Senergy base coat or SikaWall Stucco Surface Leveler and SikaWall Maxlastic Finish



1. Acceptable Sheathing\*
2. Water-Resistive Barrier
3. SikaWall Permalath 1000 or Metal Plaster Base
4. SikaWall Stucco Base
5. Senergy Finish

\*By Others

# Sentry Stucco Wall System

## DESIGN CONSIDERATIONS

- Maximum allowable deflection  $L/360$ , based on stud properties only.
- The design wind load shall not exceed the system's allowable wind load as stated in applicable code reports.
- Details shall conform with Sika Facades recommendations and shall be consistent with the project requirements.
- Control joints and trim accessories required. Control joint placement is required in the Sentry Stucco Wall System every 144 ft<sup>2</sup> (13.4m<sup>2</sup>) per ASTM C1063.
- Consult the framing and sheathing manufacturer for design and application considerations.
- Expansion joints are required in the system where they exist in the substrate, where the system adjoins dissimilar construction, at changes in substrates and at floor lines in multilevel wood frame construction.
- System shall terminate at expansion joints.
- Sealant joints shall be detailed and installed per sealant manufacturer's recommendations.
- A minimum 6:12 slope is required on all horizontal surfaces greater than 1" (25mm).
- Backer rod, sealant and flashing are required at door and window openings.
- Susceptibility to efflorescence can be reduced by using SikaWall Stucco Prime.
- Not for use below grade.
- Base coat thickness of this system might result in planar irregularities in finished wall appearance.
- Do not cut aesthetic grooves into the wall surface.

## WARRANTY

Prior to each use of any product of Sika Corporation, its subsidiaries or affiliates ("SIKA"), the user must always read and follow the warnings and instructions on the product's most current product label, Product Data Sheet and Safety Data Sheet which are available at [usa.sika.com/senergy](http://usa.sika.com/senergy) or by calling SIKA Facades' Technical Service Department at 1-800-589-1336. Nothing contained in any SIKA literature or materials relieves the user of the obligation to read and follow the warnings and instructions for each SIKA product as set forth in the current product label, Product Data Sheet and Safety Data Sheet prior to use of the SIKA product.

SIKA warrants this product for one year from date of installation to be free from manufacturing defects and to meet the technical properties on the current Product Data Sheet if used as directed within the product's shelf life. User determines suitability of product for intended use and assumes all risks. User's and/or buyer's sole remedy shall be limited to the purchase price or replacement of this product exclusive of any labor costs. NO OTHER WARRANTIES EXPRESS OR IMPLIED SHALL APPLY INCLUDING ANY WARRANTY OF MERCHANTABILITY OR FITNESS FOR A PARTICULAR PURPOSE. SIKA SHALL NOT BE LIABLE UNDER ANY LEGAL THEORY FOR SPECIAL OR CONSEQUENTIAL DAMAGES. SIKA SHALL NOT BE RESPONSIBLE FOR THE USE OF THIS PRODUCT IN A MANNER TO INFRINGE ON ANY PATENT OR ANY OTHER INTELLECTUAL PROPERTY RIGHTS HELD BY OTHERS. Sale of SIKA products are subject to the Terms and Conditions of Sale which are available at [usa.sika.com](http://usa.sika.com).