

WARM PIPE-METAL SLEEVE  
REQ'D. @ 150°F OR GREATER

SIKAFLEX® SEALANT (SEE NOTE)

RAIN HOOD W/ STAINLESS STEEL  
HOSE CLAMP (BY OTHERS)

SIKALASTIC® MEMBRANE

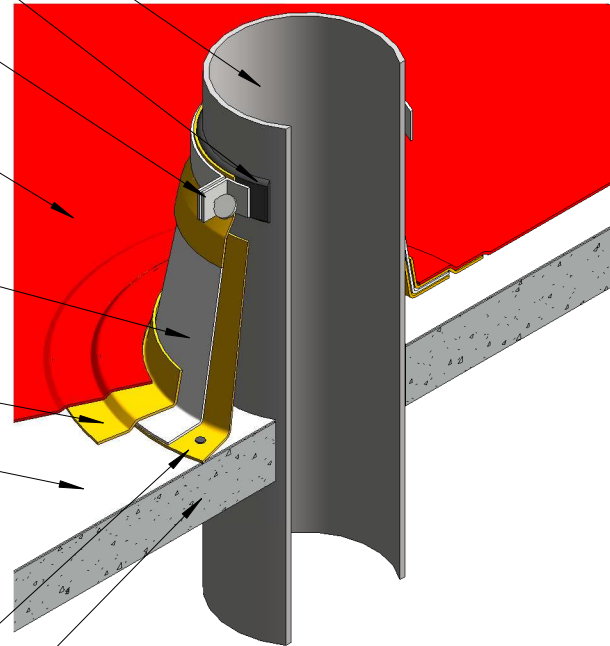
SIKALASTIC® FLASHING  
MEMBRANE, FINGER CUT WRAP

SIKALASTIC® FLASHING  
MEMBRANE, TURTLENECK

SIKA PRIMER

METAL SLEEVE FASTENED 4 IN. O.C.  
STAGGERED USING 1-INCH GALVANIZED  
ANNULAR RING NAILS INTO WOOD NAILER,  
OR FASTENED 6 IN. O.C. STAGGERED USING  
ROOFING SCREWS OR MASHROOM-HEAD  
ANCHORS APPROPRIATE FOR SUBSTRATE.

STRUCTURAL DECK /  
EXISTING SUBSTRATE



**NOTES:**

- 1) SEALANT IS A MAINTENANCE ITEM NOT COVERED UNDER WARRANTY.
- 2) REMOVE ANY EXISTING ROOFING AND METAL EDGE MATERIALS DOWN TO EXISTING WOOD BLOCKING.  
ADD ADDITIONAL WOOD NAILER AS REQUIRED TO MATCH HEIGHT OF EXISTING ROOF.



1-800-933-SIKA (7452)  
www.sikausa.com

JOB NAME:

DETAIL TITLE

**HOT STACK FLASHING**

SCALE:

DATE:

FILE NO.:

DRW. NO.:

**DS.4.03**

AS A MANUFACTURER OF CONSTRUCTION PRODUCTS, SIKA CORPORATION PROVIDES GENERIC DETAILS AS A GENERAL GUIDE FOR INFORMATION PURPOSES ONLY. THESE DETAILS ARE NOT INTENDED TO REPLACE SOUND ENGINEERING AND ARCHITECTURAL PRACTICES AND SHOULD NOT BE RELIED UPON FOR THAT PURPOSE. SIKA CORPORATION ASSUMES NO LIABILITY WITH RESPECT TO THE DESIGN OF THE SYSTEM. THE ARCHITECT, CONSULTANT AND/OR ENGINEER OR DESIGN PROFESSIONAL FOR A PARTICULAR PROJECT BEARS THE SOLE RESPONSIBILITY FOR THE DESIGN OF THE SYSTEM, FOR THE PREPARATION AND APPROVAL OF THE PROJECT SPECIFICATIONS, DETAILS AND SHOP DRAWINGS, AND FOR DETERMINING THEIR SUITABILITY FOR A PARTICULAR PROJECT OR APPLICATION. WHILE SIKA PROVIDES GENERAL INSTRUCTIONS FOR THE INSTALLATION OF ITS MATERIALS, THE MEANS AND METHODS USED BY THE CONTRACTOR FOR MATERIAL STORAGE, SUBSTRATE EVALUATION, SURFACE PREPARATION, AND THE INSTALLATION OF BOTH SIKA AND NON-SIKA MATERIALS ARE THE RESPONSIBILITY OF THE CONTRACTOR. THE CONTRACTOR MUST ALWAYS READ AND FOLLOW THE WARNINGS AND INSTRUCTIONS ON SIKA PRODUCT LABELS, TECHNICAL DATA SHEETS, AND MATERIAL SAFETY DATA SHEETS AVAILABLE AT WWW.SIKAUSA.COM. SIKA CORPORATION MAKES NO WARRANTY OF ANY KIND, EITHER EXPRESS OR IMPLIED, AS TO THE CONTENT OF THIS GUIDE DETAIL. SIKA SHALL NOT BE RESPONSIBLE UNDER ANY LEGAL THEORY TO ANY THIRD PARTY FOR ANY DIRECT OR CONSEQUENTIAL DAMAGES OF ANY KIND ARISING FROM THE USE OF THIS GUIDE DETAIL. ALL PRODUCTS AND SERVICES PROVIDED BY SIKA CORPORATION ARE SUBJECT TO ITS TERMS AND CONDITIONS OF SALE AVAILABLE AT WWW.SIKAUSA.COM.