

Senerflex Secondary Weather Barrier Design

Class PB EIFS incorporating an air/water-resistive barrier

DESCRIPTION

Senerflex Secondary Weather Barrier Design is an enhanced Class PB EIFS that includes a secondary air/water-resistive barrier for the protection of moisture sensitive sheathings. The system offers design flexibility, aesthetic appeal and energy savings.

ACCEPTABLE SUBSTRATES

PermaBase® Cement Board and other cement boards conforming with ASTM C1325 (Type A - exterior); poured concrete/unit masonry; ASTM C1177 type sheathings, including Weather Defense™ Platinum sheathing, GreenGlass® sheathing, e2XP™ sheathing, GlasRoc® sheathing, Securock™ glass-mat sheathing, and DensGlass® exterior sheathing; gypsum sheathing (ASTM C79/C1396); Exposure I or exterior plywood (Grade C/D or better); or Exposure I OSB.

USES

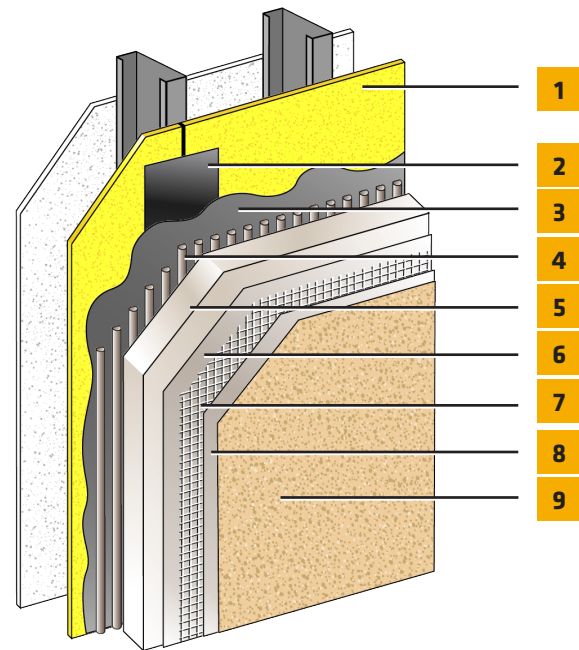
For exterior walls in new and retrofit commercial and institutional projects when additional moisture protection of the sheathing is desired or required.

MATERIAL SUBSTITUTION

Material substitution will adversely affect system performance and will void all warranty coverage unless approved in writing by Sika Facades.

DESIGN CONSIDERATIONS

- Expansion joints are required where movement is anticipated (e.g., floor lines, canopies, carports, porte-cocheres, etc.), where EIFS meets dissimilar materials (e.g., windows, doors, transitions to brick or other siding), where substrate materials change, at floor lines in wood frame construction where movement or cross grain shrinkage is anticipated and at structural or existing expansion joints.
- Expansion joint size and location per design as required for structural movement
- Minimum slope: 1:2 with maximum width of 30.5 cm (12") [e.g. 15 cm in 30.5 cm (6" in 12") width].
- Maximum substrate design deflection is L/240.
- Consult the framing and sheathing manufacturer for design and application considerations.
- Use only for above grade vertical walls.



1. Acceptable Sheathing
2. Approved Joint Reinforcement
3. Senershield-R/-RS/-VB
4. Senergy Adhesive
5. Senergy Insulation Board
6. Senergy Base Coat
7. Senergy Reinforcing Mesh
8. Senergy Base Coat
9. Senergy Finish Coat

Senerflex Secondary Weather Barrier Design

WARRANTY

Prior to each use of any product of Sika Corporation, its subsidiaries or affiliates ("SIKA"), the user must always read and follow the warnings and instructions on the product's most current product label, Product Data Sheet and Safety Data Sheet which are available at usa.sika.com/senergy or by calling Sika Facades' Technical Service Department at 1-800-589-1336. Nothing contained in any Sika literature or materials relieves the user of the obligation to read and follow the warnings and instructions for each Sika product as set forth in the current product label, Product Data Sheet and Safety Data Sheet prior to use of the Sika product.

SIKA warrants this product for one year from date of installation to be free from manufacturing defects and to meet the technical properties on the current Product Data Sheet if used as directed within the product's shelf life. User determines suitability of product for intended use and assumes all risks. User's and/or buyer's sole remedy shall be limited to the purchase price or replacement of this product exclusive of any labor costs. NO OTHER WARRANTIES EXPRESS OR IMPLIED SHALL APPLY INCLUDING ANY WARRANTY OF MERCHANTABILITY OR FITNESS FOR A PARTICULAR PURPOSE. SIKA SHALL NOT BE LIABLE UNDER ANY LEGAL THEORY FOR SPECIAL OR CONSEQUENTIAL DAMAGES. SIKA SHALL NOT BE RESPONSIBLE FOR THE USE OF THIS PRODUCT IN A MANNER TO INFRINGE ON ANY PATENT OR ANY OTHER INTELLECTUAL PROPERTY RIGHTS HELD BY OTHERS. Sale of Sika products are subject to the Terms and Conditions of Sale which are available at usa.sika.com.