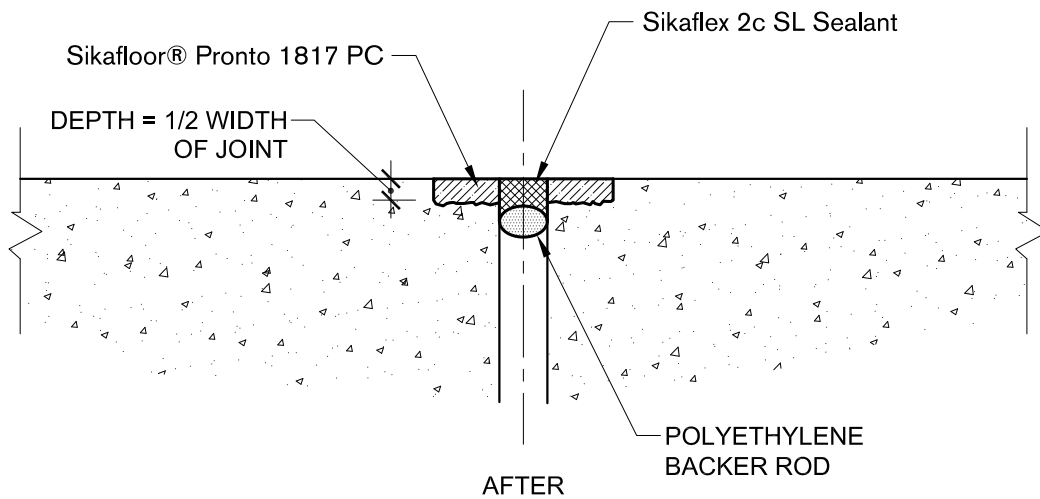


BEFORE



AFTER

NOTES:

1. SAWCUT SHOULDER 1/4" (6-mm)
2. REMOVE DETERIORATED CONCRETE
3. PRIME CONCRETE SURFACES
4. FILL FLUSH TO EXISTING CONCRETE W/ Sikafloor® Pronto 1817 PC
5. SAWCUT THROUGH Sikafloor® Pronto 1817 PC TO RE-ESTABLISH JOINT
6. INSTALL BACKER ROD
7. PRIME EDGES W/Sika® Primer-207
8. FILL JOINT W/Sikaflex®-2c SL Sealant

CURRENT ISSUE DATE:
June 10, 2024

DRAWN BY:
HAJ

DATE CREATED:
June 10, 2024

CHECKED BY:
WJG

DRAWING NO:
CB-27.4

STANDARD DETAIL
SIKAFLOOR® PRONTO MMA
 Interior Expansion Joint

Information provided herein, including but not limited to, any drawing, design, photograph, graphic, or statement(s) ("Materials") are proprietary and the property of Master Builders Solutions Construction Systems US, LLC ("Company"). Reproduction, translation, or reduction to any electronic medium or machine readable form, in whole or part, is strictly prohibited, except for the express purpose for which it has been furnished, without prior written consent of Company. All Materials contained herein are provided by Company for information purposes only. Company reserves the right to amend or withdraw any information contained in the Materials without notice. All technical or other advice by Company, whether verbal or written, concerning products, or the use of products in specific situations ("Advice") is given by Company and is used at the Users own risk.

BUILDING TRUST



Sika Corporation
 201 Polito Ave
 Lyndhurst, NJ 07071
 usa.sika.com