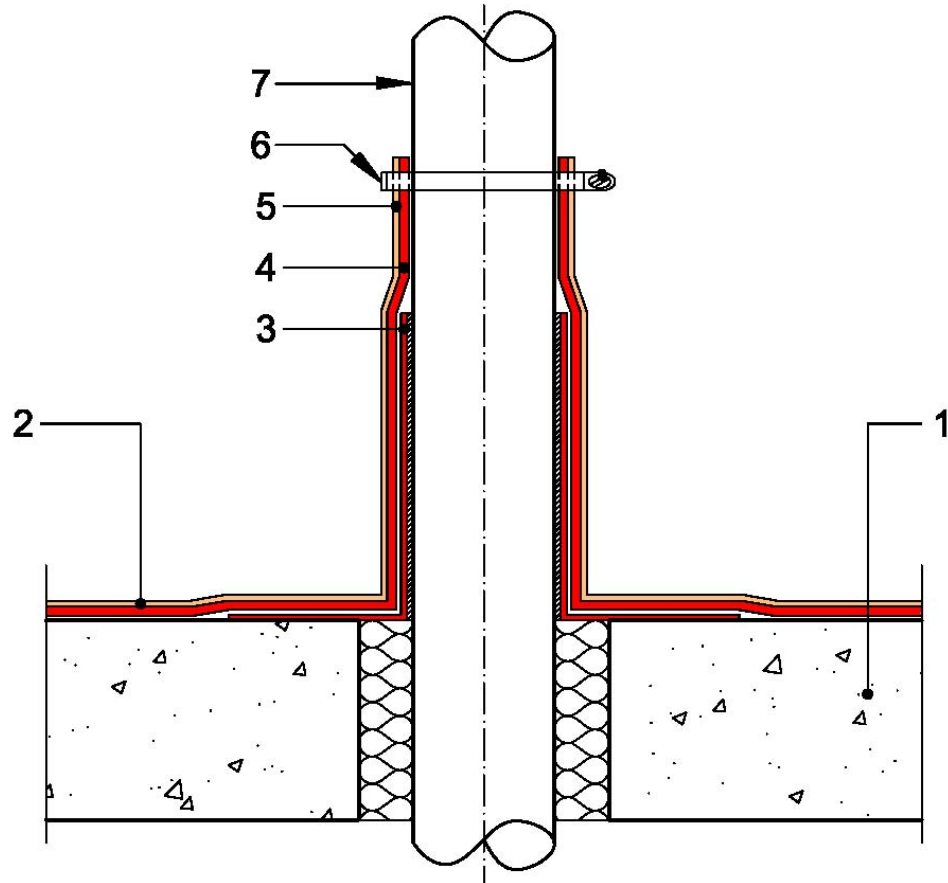


4.8.1

Vent Pipe / Post Sikalastic® RoofPro Direct to Concrete

Construction



- 1 Deck prepared in accordance with latest Product Data Sheet and primed as required
- 2 Sikalastic 621 TC on Sikalastic 601 BC or 621 TC as specified
- 3 Localised reinforcement of Sika Flexitape Heavy embedded in Sikalastic 601 BC or 621 TC. Fillet at base formed with Sikaflex sealant
- 4 Sika Reemat embedded in Sikalastic 601 BC or 621 TC as specified
- 5 Sikalastic 621 TC on Sikalastic 601 BC or 621 TC as specified
- 6 Stainless steel clip
- 7 Vent pipe / post primed as required

The information contained in this document, including but not limited to any recommendations regarding the use and application of Sika Corporation ("Sika") products, is given in good faith based on Sika's current experience and knowledge of its products when properly stored, handled and applied under normal conditions in accordance with Sika's instructions. The information contained in this document is valid only for the applications and uses of Sika products described herein. Any deviation from any of the instructions, uses, applications and recommendations contained in this document regarding the Sika products will void any Sika warranty. The user of the Sika products must test each product for suitability for the intended application and purpose. Sika expressly excludes from any warranty whether verbal or written any responsibility for the performance or quality of the products of others used in conjunction with Sika products. Prior to each use of any Sika product, the user must always read and follow the warnings and instructions on the product's current label, Technical Data Sheet, and Material Safety Data Sheets available at www.sikausa.com. All sales of Sika products are subject to its current terms and conditions of sale available at www.sikausa.com.

As a membrane manufacturer, Sika provides this generic detail as a general guide for informational purposes only. This detail is not intended to replace sound engineering and architectural practices and should not be relied upon for that purpose. Sika Corporation assumes no liability with respect to the provision of this detail, the preparation of the specifications, the design of the roofing or waterproofing system, the preparation and approval of the details and shop drawings, or for determining their suitability for a particular project or application. The architect, consultant and/or engineer or design professional for a particular project bears the sole responsibility for the design of the roofing or waterproofing system, for the preparation of the specifications, the preparation and approval of the details and shop drawings, and for determining their suitability for a particular project or application. **SIKA CORPORATION MAKES NO WARRANTY OF ANY KIND, EITHER EXPRESS OR IMPLIED, AS TO THE CONTENT OF THIS DETAIL GUIDE. SIKA SHALL NOT BE RESPONSIBLE UNDER ANY LEGAL THEORY TO ANY THIRD PARTY FOR ANY DIRECT OR CONSEQUENTIAL DAMAGES OF ANY KIND ARISING FROM THE USE OF THIS DETAIL GUIDE.**

While Sika provides general instructions for the installation of its membrane, the means and methods used by the contractor for surface preparation as well as the means and methods employed by the contractor in the installation of the Sika membrane are the responsibility of the contractor.



Visit our website at www.sikaconstruction.com

Regional Information and Sales Centers. For the location of your nearest Sika sales office, contact your regional center.

Sika Corporation
201 Polito Avenue
Lyndhurst, NJ 07071
Phone: 800-933-7452
Fax: 201-933-6225

Sika Canada Inc.
601 Delmar Avenue
Pointe Claire
Quebec H9R 4A9
Phone: 514-697-2610
Fax: 514-694-2792

Sika Mexicana S.A. de C.V.
Carretera Libre Celaya Km. 8.5
Fracc. Industrial Balvanera
Corregidora, Queretaro
C.P. 76920
Phone: 52 442 2385800
Fax: 52 442 2250537

1-800-933-SIKA NATIONWIDE