



Sikadur® EPOXY SOLUTIONS

CONSTRUCTION EPOXIES

BUILDING TRUST



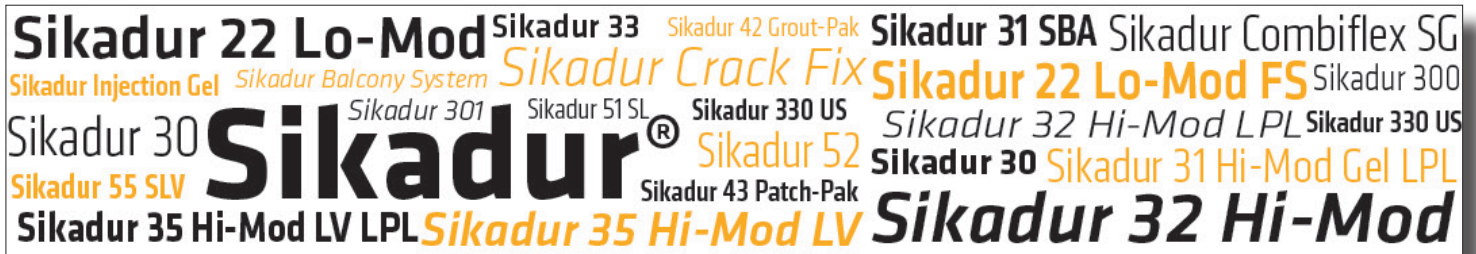
EPOXY RESINS HISTORY

Sikadur - #1 TRUSTED CHOICE FOR EPOXY IN CONSTRUCTION

Sikadur, the family brand used for construction epoxy resin products by Sika has dominated the construction industry for over 50 years.

Product solutions range from bonding agents, crack repair solutions, epoxy grouts to epoxy overlay and segmental bridge adhesives - just to name a few.

Sika strives to maintain the leadership position by introducing innovative solutions and look forward to another 50 years of success with this brand!



Sikadur EPOXIES APPLICATION GUIDE

Product Line	Approximate Viscosity	Packaging	Pressure Injection	Gravity Feed	Surface Seal	Horizontal	Vertical & Overhead	Horizontal		Vertical & Overhead		Plastic to Hardened	Hardened to Hardened	Horizontal Substrate	Vertical & Overhead Substrate	Horizontal	ASTM C-881
								On Grade	Above & Below Grade	On Grade	Above & Below Grade						
Sikadur 32, Hi-Mod	3,000 cps	1 gal. 4 gal.		■								■					I,II,IV 2 C
Sikadur 32, Hi-Mod LPL	2,800 cps	1 gal. 4 gal.		■								■					I,II 2 C
Sikadur 35, Hi-Mod LV	375 cps	1 gal. 3 gal.	■			■							■				I,II,IV 1 C*
Sikadur 35, Hi-Mod LV LPL	200 cps	3 gal.	■	■		■						■					I,II,IV 1 C**
Sikadur 31, Hi-Mod Gel	Paste	2 gal. 3 gal.			■		■					■					I,IV 3 B&C
Sikadur 31, Hi-Mod Gel LPL	Paste	3 gal.			■		■					■					I,IV 3 C
Sikadur 22, Lo-Mod	2,500 cps	4 gal.				■						■					III 2 C
Sikadur 22, Lo-Mod FS	2,000 cps	4 gal.				■						■					III 2 C*
Sikadur 25, Lo-Mod EPU	2,000 cps	4 gal.				■						■					III 2 C*
Sikadur 21, Lo-Mod LV	1,000 cps	4 gal.				■						■					
Sikadur 23, Lo-Mod Gel	Paste	4 gal.			■												
Sikadur 52	200 cps	3 gal.	■	■													I,II 1 C
Sikadur Injection Gel, Standard Set	Paste	4 gal.	■		■		■					■	■	■			I,IV 3 C
Sikadur 33	Paste	2 gal.			■		■					■					I,II 3 B&C*
Sikadur 42, Grout-Pak	Grout	0.5 cu. ft.													■	■	
Sikadur 42, Grout-Pak PT	Grout	0.5 cu. ft.															
Sikadur 42, Grout-Pak LE	Grout	2.0 cu. ft.															
Sikadur 43, Patch-Pak	Mortar	0.5 cu. ft.				■										■	
Sikadur 55 SLV	105 cps	3 gal.	■	■												■	I,II 1 C*
Sikadur AnchorFix-1	Paste	10.1/38.7 oz. cart.			■												
Sikadur AnchorFix-2	Paste	10.1/38.7 oz. cart.			■												
Sikadur AnchorFix-2 Arctic	Paste	28.7 oz. cart.												■			
Sikadur AnchorFix-500	Paste	20.2/50.7 oz. cart.												■			
Sikadur AnchorFix-3001	Paste	20.2/50.7 oz. cart.												■	■		
Sikadur Crack Fix	375 cps	6 oz. cart.	■	■										■			
Sikadur Crack Weld	Kit		■														

*except for gel time
**except for bond strength
†For High Friction Surface Treatment

LPL = Long Pot Life cps = centipoise
Reference approximate viscosity
water = 1 cps
olive oil = 100 cps
motor oil = 1000-2000 cps

Crack Repair	Patching		Overlay		Bonding Adhesive	Anchor Bolts	Base Plate Grouts	USDA Approved	Potable Water Approved	ASTM C-881		
	Interior	Exterior	Int.	Exterior						Type	Grade	Class

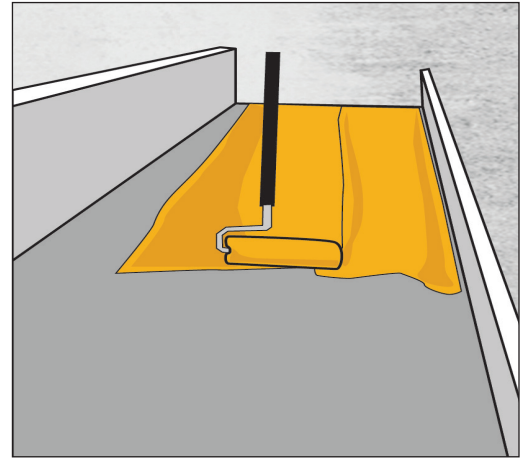
©Sika Corporation / Target Market Refurbishment / BE.676.6 / 4.2016

PRODUCT APPLICATIONS

BONDING AGENTS

- Extended pot life and contact time at elevated temperatures
- High-strength bonding / grouting adhesive
- Tolerant of moisture before, during, and after
- Excellent adhesion to most structural materials
- Easy to use for bonding / grouting applications

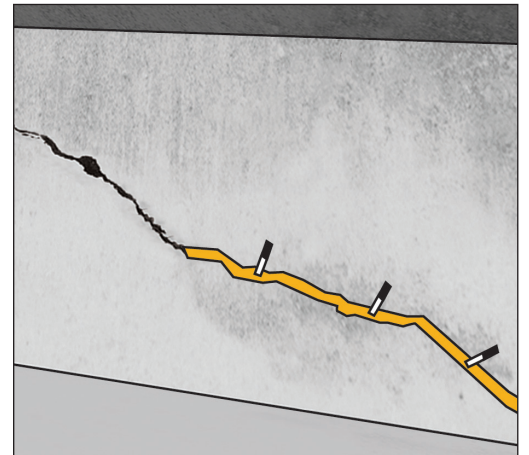
**Sikadur 32 Hi-Mod, Sikadur 32 Hi-Mod LPL,
Sika Armatec 110**



CRACK INJECTION MATERIAL AND SYSTEMS

- Unique non-abrasive texture permits application with automated pressure-injection equipment
- Tolerant of moisture before, during and after
- Prolongs life of cracked concrete
- Unique, high-strength, structural adhesives
- High-early-strength developing adhesives
- Product solutions, packaging for large and small jobs

**Sikadur 35 Hi-Mod, Sikadur 31 Hi-Mod Gel, Sikadur 52,
Sikadur 55 SLV, Sikadur Crack Weld, Sikadur Crack Fix**



GRAVITY-FEED MATERIAL

- Super low viscosity / low surface tension for excellent penetration into existing cracks
- Prolongs life of cracked concrete
- Seals / penetrates surface of slabs from water absorption, chloride ion intrusion, and chemical attack
- Improves concrete surface by reducing water and chloride intrusion
- High bond strength, even in damp cracks
- Product solutions, packaging for large and small jobs

**Sikadur 55 SLV, Sikadur 52, Sikadur 35 Hi-Mod LV,
Sikadur Crack Fix**

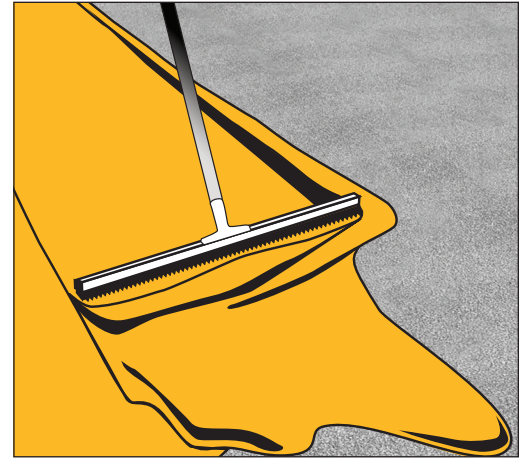


PRODUCT APPLICATIONS

EPOXY OVERLAY

- Tolerant to moisture both before and after cure
- Convenient easy mix ratio A:B = 1:1 by volume
- Excellent strength development
- Leveling viscosity for easy, efficient application of a broad cast overlay

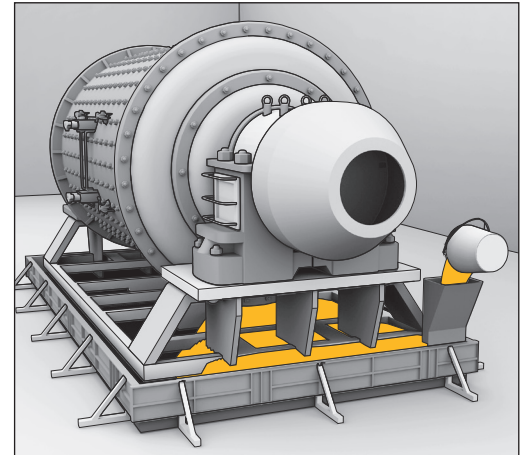
Sikadur 22 Lo-Mod, Sikadur 22 Lo-Mod FS & Sikadur 25 Lo-Mod EPU



EPOXY GROUTS

- Ready to mix, pre-proportioned kits
- Corrosion and impact resistant
- Stress and chemical resistant
- Fast strength gain and high vibration resistance
- High effective bearing area and excellent flowability
- Easy access underneath equipment
- Deep pour grouts

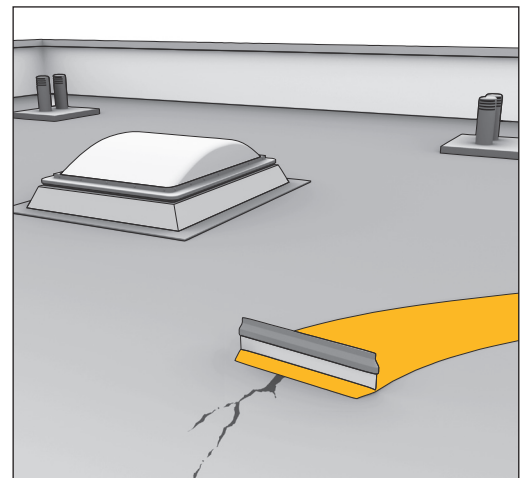
Sikadur 42 Grout Pak, Sikadur 42 Grout Pak PT, Sikadur Grout Pak LE



EPOXY PATCH

- Patching and overlays on interior and horizontal substrates
- Rapid strength gain
- Super ultimate strengths
- Superior wearing surface
- Factory proportioned kit
- Open to traffic in three to four hours at 73°F (23°C)

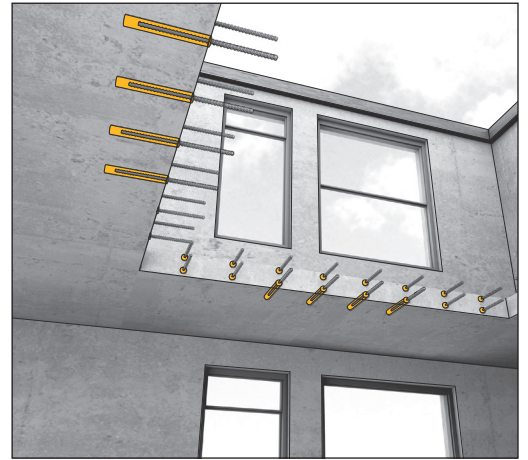
Sikadur 43 Patch Pak, Sikadur 21 Lo-Mod, Sikadur 22 Lo-Mod



ANCHORING EPOXY

- ESR to AC308 by IAPMO-UES
- Certified to ANSI / NSF - 61 by UL
- Versatile range of embedment depths
- Anchoring without expansion forces
- Available in 10 oz, 22 oz and 55 oz

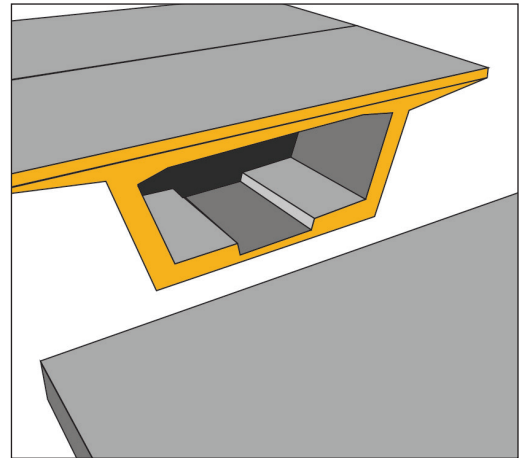
Sika Anchorfix-1, Sika Anchorfix-2, Sika Anchorfix-2 Arctic, Sika Anchorfix-500, Sika Anchorfix-3001



SEGMENTAL BRIDGE ADHESIVE

- Unique, high modulus, structural adhesive for bonding hardened concrete to hardened concrete for segmental bridge construction
- Moisture-tolerant and solvent-free
- For use in segment-by-segment erection
- Excellent adhesion to most structural materials
- Supplied in three temperature grades to meet project requirements

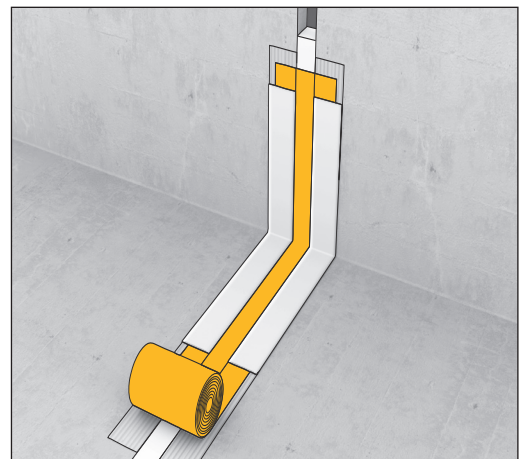
Sikadur 31 SBA Slow Set, Sikadur 31 SBA Normal Set



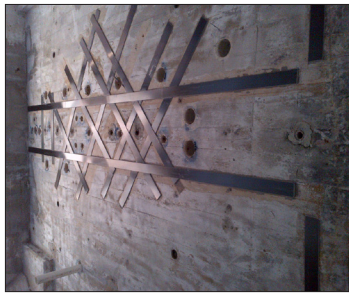
JOINT SEALING AND PROTECTION

- High performance control joint resin
- Applicable for construction, expansion and connection joints
- Advanced adhesion, no activation of tape required
- Performs well with a wide range of temperatures
- Allows irregular and high movement in more than one direction, while maintaining a high quality seal

Sikadur 51 NS & Sikadur 51 SL, Sikadur Combiflex SG, Sikadur 58 CJR



PROJECT GALLERY



BALTIMORE DESIGN SCHOOL

Owner:
Baltimore Public School System

Location:
Baltimore, MD

Year:
2004

Product:
Sikadur 30
Sikadur 35 Hi-Mod LV

Application:
Adhesive reinforcement

Significance:
Restructured repairs to crippling building and using CFRP reinforcement.

Award:
ICRI Project of the Year 2014



HIBERNIA BANK

Owner:
Dolmen Property Group

Location:
San Francisco, CA

Year:
2016

Product:
Sikadur 32 Hi-Mod
Sikadur 300
Sikadur 330
Anchorfix 3001

Application:
Strengthening of structure

Significance:
Updating structure to meet modern seismic standards.

Award:
ICRI Project of the Year 2016



LSU STADIUM

Owner:
Louisiana State University

Location:
Baton Rouge, LA

Year:
2013

Product:
Sikadur 35 Hi-Mod LV

Application:
Restoration of deteriorating concrete

Significance:
Restore original look of stadium, repair of structural damage.

Award:
ICRI Award of Merit 2013



ROSE BOWL

Owner:
City of Pasadena

Location:
Pasadena, CA

Year:
2008

Product:
Sika Armatec-110 EpoCem
Sikadur 32 Hi-Mod

Application:
Rebar protection

Significance:
Protection of 60-year-old steel in concrete, treads, and bleachers.

Award:
ICRI Award of Merit 2008



HIGHWAY 77

Owner:
State of Nebraska

Location:
Lincoln, NE

Year:
2014

Product:
Sikadur 22 Lo-Mod FS

Application:
High Friction Surface Treatment

Significance:
First HFST job by NDOR involving bridge deck, pavement and asphalt.

GULF OF MEXICO

Owner:
Bredero Price

Location:
Gulf of Mexico

Year:
2001

Product:
Sikadur 32 Hi-Mod LPL

Application:
Bonding of concrete outer shell to pipe

Significance:
421-mile stretch of natural gas pipe to meet Florida's expanding energy needs.

BOSTON CENTRAL ARTERY

Owner:
State of Massachusetts

Location:
Boston, MA

Year:
1999

Product:
Sikadur 31 SBA

Application:
Bridge construction

Significance:
Time-sensitive construction on one of Boston's busiest inter-sections.

GRANITE AVENUE BRIDGE

Owner:
City of Boston

Location:
Boston, MA

Year:
2004

Product:
Sikadur 35 Hi-Mod LPL

Application:
Pile repair and restoration

Significance:
Underwater pile repair for historical bridge.

SIKA FULL RANGE SOLUTIONS FOR CONSTRUCTION:



SEALING AND BONDING



REFURBISHMENT



ROOFING



WATERPROOFING



CONCRETE



FLOORING



Contact Sika:

Phone: 1-800-933-SIKA (Nationwide)

Website: www.usa.sika.com

All sales of Sika products are subject to Sika's current Terms and Conditions of Sale available at www.usa.sika.com or by calling 201-933-8800. Prior to each use of any Sika product, the user must always read and follow the warnings and instructions on the product's most current Product Data Sheet, product label and Material Safety Data Sheet, which are available at www.usa.sika.com or by calling Technical Services at 1-800-933-7452. Nothing contained in any Sika materials relieves the user of the obligation to read and follow the warnings and instructions for each Sika product as set forth in the current Product Data Sheet, product label and Material Safety Data Sheet prior to product use.

The sale of all Sika products are subject to the following Limited Warranty:

LIMITED MATERIAL WARRANTY

SIKA warrants this product for one year from date of installation to be free from manufacturing defects and to meet the technical properties on the current Product Data Sheet if used as directed within shelf life. User determines suitability of product for intended use and assumes all risks. Buyer's sole remedy shall be limited to the purchase price or replacement of product exclusive of labor or cost of labor.

NO OTHER WARRANTIES EXPRESS OR IMPLIED SHALL APPLY INCLUDING ANY WARRANTY OF MERCHANTABILITY OR FITNESS FOR A PARTICULAR PURPOSE. SIKA SHALL NOT BE LIABLE UNDER ANY LEGAL THEORY FOR SPECIAL OR CONSEQUENTIAL DAMAGES. SIKA SHALL NOT BE RESPONSIBLE FOR THE USE OF THIS PRODUCT IN A MANNER TO INFRINGE ON ANY PATENT OR ANY OTHER INTELLECTUAL PROPERTY RIGHTS HELD BY OTHERS.

Our most current General Sales Conditions shall apply. Please consult the Product Data Sheets prior to any use and processing.



Sika Corporation
201 Polito Avenue
Lyndhurst, NJ 07071
Phone: 201-933-8800
Fax: 201-933-6225

Sika Canada Inc.
601 Delmar Avenue
Pointe Claire
Quebec H9R 4A9
Phone: 514-697-2610
Fax: 514-694-2792

Sika Mexicana S. A. de C.V.
Carretera Libre Celaya Km. 8.5
Fracc. Industrial Balvanera
Corregidora, Queretaro
C.P. 76920
Phone: 52 442 2385800
Fax: 52 442 2250537

BUILDING TRUST

