

PIPE / CONDUIT PENETRATION

SIKAFLEX® SEALANT (OPT)

STAINLESS STEEL HOSE CLAMP (OPT)

SIKALASTIC® FLASHING
MEMBRANE, FINGER CUT WRAP

SIKALASTIC® MEMBRANE

SIKALASTIC® FLASHING
MEMBRANE, TURTLENECK

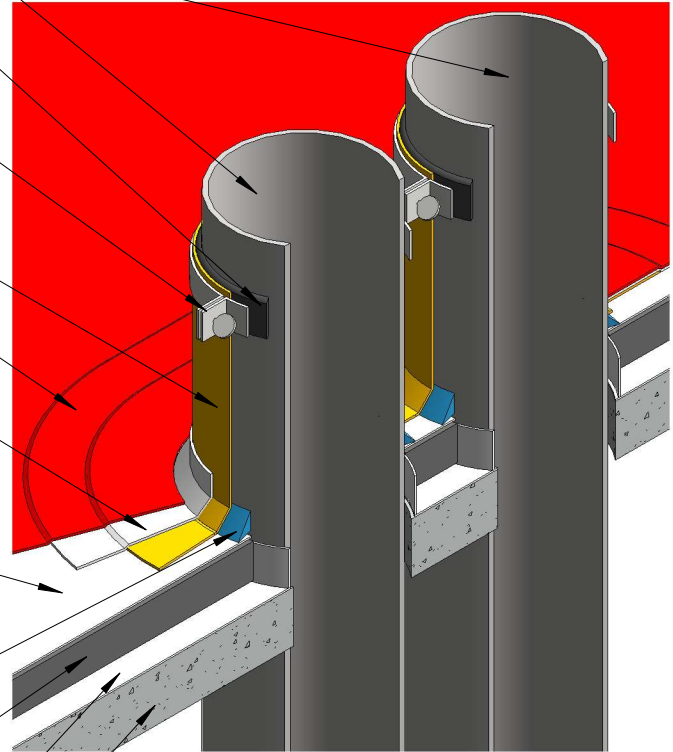
SIKA PRIMER

SIKAFLEX® SEALANT COVE, 3/4"x3/4"

INSULATION / COVER BOARD
SECURELY FASTENED

AIR / VAPOR BARRIER (AS REQUIRED)

STRUCTURAL DECK



NOTES:

1) VAPOR BARRIER SHALL BE SEALED AT EDGES.



1-800-933-SIKA (7452)
www.sikausa.co

JOB NAME:

DETAIL TITLE

MULTIPLE PIPE PENETRATION

SCALE:

NT

DATE:

10/13

FILE

LAM

DRW. NO.:

BU_4_01

AS A MANUFACTURER OF CONSTRUCTION PRODUCTS, SIKA CORPORATION PROVIDES GENERIC DETAILS AS A GENERAL GUIDE FOR INFORMATION PURPOSES ONLY. THESE DETAILS ARE NOT INTENDED TO REPLACE ENGINEERING AND ARCHITECTURAL PRACTICES AND SHOULD NOT BE RELIED UPON FOR THAT PURPOSE. SIKA CORPORATION ASSUMES NO LIABILITY WITH RESPECT TO THE DESIGN OF THE SYSTEM. THE CONSULTANT AND/OR ENGINEER OR DESIGN PROFESSIONAL FOR A PARTICULAR PROJECT BEARS THE SOLE RESPONSIBILITY FOR THE DESIGN OF THE SYSTEM, FOR THE PREPARATION AND APPROVAL OF THE SPECIFICATIONS, DETAILS AND SHOP DRAWINGS, AND FOR DETERMINING THEIR SUITABILITY FOR A PARTICULAR PROJECT OR APPLICATION. WHILE SIKA PROVIDES GENERAL INSTRUCTIONS FOR THE INSTALLATION MATERIALS, THE MEANS AND METHODS USED BY THE CONTRACTOR FOR MATERIAL STORAGE, SUBSTRATE EVALUATION, SURFACE PREPARATION, AND THE INSTALLATION OF BOTH SIKA AND NON-SIKA MATERIALS RESPONSIBILITY OF THE CONTRACTOR. THE CONTRACTOR MUST ALWAYS READ AND FOLLOW THE WARNINGS AND INSTRUCTIONS ON SIKA PRODUCT LABELS, TECHNICAL DATA SHEETS, AND MATERIAL SAFETY DATA AVAILABLE AT www.sika.com. SIKA CORPORATION MAKES NO WARRANTY OF ANY KIND, EITHER EXPRESS OR IMPLIED, AS TO THE CONTENT OF THIS GUIDE DETAIL. SIKA SHALL NOT BE RESPONSIBLE LEGAL THEORY TO ANY THIRD PARTY FOR ANY DIRECT OR CONSEQUENTIAL DAMAGES OF ANY KIND ARISING FROM THE USE OF THIS GUIDE DETAIL. ALL PRODUCTS AND SERVICES PROVIDED BY SIKA SUBJECT TO ITS TERMS AND CONDITIONS OF SALE AVAILABLE AT www.sika.com