

Finescreen 1000 CI

High impact resistant water-drainage wall system incorporating PermaBASE CI™ polyiso insulated cement board, Finestop air/water-resistive barrier, Drainage Mat, reinforced base coat and 100% acrylic polymer exterior finish.

SYSTEM DESCRIPTION

LaHabra Finescreen 1000 CI is a high-impact, water-drainage wall cladding system that incorporates a Finestop air/water-resistive barrier, drainage mat and features PermaBASE CI™ Insulated Cement Board by PermaBASE® Building Products, LLC installed with a polymer-modified base coat, fiberglass reinforcing mesh, and finishes. Finescreen 1000 CI system provides ease of design to ensure energy code compliance, high impact and increased dimensional stability without sacrificing design freedom.

ACCEPTABLE SUBSTRATES

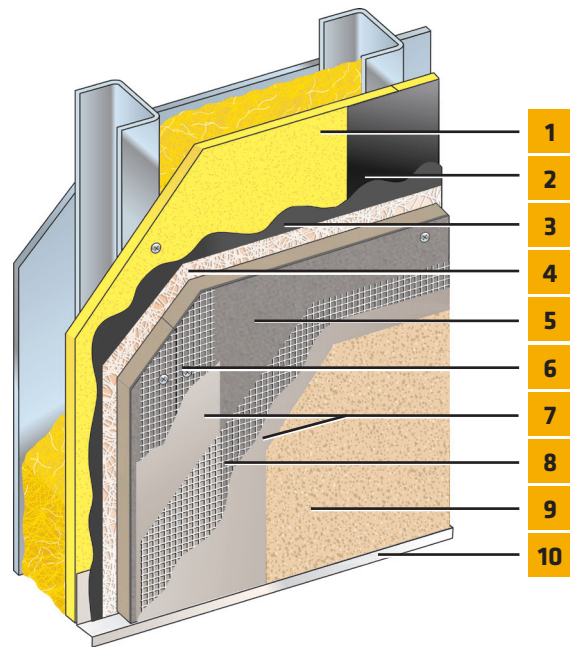
ASTM C1177 type sheathings, including, Weather Defense™ Platinum sheathing, GreenGlass® sheathing, eXP™ sheathing, GlasRoc® sheathing, Securock™ glass-mat sheathing, DensGlass® exterior sheathing and DensElement (sheathing only), gypsum sheathing (ASTM C79/C1396); Exposure I or exterior plywood (Grade C/D or better); or Exposure I OSB or Huber Zip (sheathing only).

DESIGN CONSIDERATIONS

- Maximum substrate design deflection is L/360. Substrate must be level within 1/4" in 10' (6 mm in 3 m).
- Locate control joints approximately every 600 ft² (56 m²) of wall surface area with maximum uncontrolled length or width of 24 lin. ft. (7 m) and a maximum uncontrolled length-to-width ratio of 2 1/2:1.
- Typical locations for system expansion joints are at building expansion joints, at prefabricated panel joints, floor lines of wood frame construction or where slip tracks are used in steel frame construction, where substrates change and where structural movement is anticipated. It is the sole responsibility of the project design team, including the architect, engineer, etc., to ultimately determine specific expansion joint placement, width and design. Detail specific locations in construction drawings.
- For use on above grade vertical walls. System must terminate a minimum of 6-inches (152 mm) above unfinished grade.
- All substrates must be clean, dry and sound without planar irregularities greater than 1/4" per 10' (6 mm per 3 m).

USES

Exterior walls in new or retrofit commercial, institutional and residential construction such as hotels, hospitals, retail, schools, multi-family apartments and condominiums, and government facilities.



1. Acceptable Substrate*
2. SikaWall Joint Treatment: Sheathing Fabric, MaxFlash or Flash Seal NP
3. Finestop RA/RS/VB
4. SikaWall Drainage Mat
5. PermaBASE CI™ Insulated Cement Board*
6. SikaWall Sheathing Joint Reinforcement
7. LaHabra Base Coat
8. LaHabra Reinforcing Mesh
9. LaHabra Finish
10. Flashing or Starter Track*

*By Others

Finescreen 1000 CI

MATERIAL SUBSTITUTION

Material substitution will adversely affect system performance and will void all warranty coverage unless approved in writing by Sika Facades.

Test Results:

TEST	Method	Criteria	Results
Transverse Wind-load	ASTM E330	Steel stud framing (20 gauge, 3 5/8") @ 16"o.c.,	Maximum allowable transverse load: +/- 36 psf (+/- 1723 Pa)
Transverse Wind-load	ASTM E330	Wood assembly (2" x 4") @ 16"o.c.	Maximum allowable transverse load: +/- 40.8 psf (+/- 1953 Pa)
Radiant Heat Exposure	NFPA 268	No ignition at 20 minutes	Met test criteria.
Intermediate Scale Multi-story Fire Test	NFPA 285 / UBC Standard 26-9	<ol style="list-style-type: none"> 1. Resist flame propagation over the exterior surface 2. Resist vertical spread of flame within combustible core/component of panel from one story to the next 3. Resist vertical spread of flame over the interior surface from one story to the next 4. Resist lateral spread of flame from the compartment of fire origin to adjacent spaces 	Met test criteria
Surface Burning	ASTM E84 / UL 723	Flame spread < 25 Smoke developed < 450	All components of the system meet Class A performance (FS < 25; SD < 450)
Abrasion Resistance	ASTM D968	No Cracking or loss of film integrity at 528 qt. (500L) of sand	Finish Coat not worn through after 686 liters of falling sand
Accelerated Weathering	ASTM G 153 (formerly G23)	No deleterious effects after 2000 hours.	Pass
Mildew Resistance	Mil Std 810B Method 508	No fungus growth after 28 days	Pass
Salt Fog Resistance	ASTM B117	No deleterious effects after 300 hours	Pass
Water Resistance	ASTM D 2247	No deleterious effects after 14 days exposure	Pass

PermaBASE CI Physical Properties per PermaBASE Building Products, LLC:

TEST	METHOD	1 Inch	2 Inch	3 Inch
Dimensional Stability	ASTM D2126	<0.5%	<0.5%	<0.5%
Water Absorption	ASTM D209	<5.0%	<5.0%	<5.0%
Water Vapor Transmission	ASTM E96	<1.5 perms	<1.5 perms	<1.5 perms
Flame Spread	ASTM E84	<25	<25	<25
Smoke Development	ASTM E84	<450	<450	<450
R-Value	ASTM C518	4	10	16
Dimensions	ASTM C473	1" x 4' x 8'	2" x 4' x 8'	3" x 4' x 8'
Weight		2.2 lbs. / sq. ft	2.4 lbs. / sq. ft	2.6 lbs. / sq. ft

Finescreen 1000 CI

WARRANTY

Prior to each use of any product of Sika Corporation, its subsidiaries or affiliates ("SIKA"), the user must always read and follow the warnings and instructions on the product's most current product label, Product Data Sheet and Safety Data Sheet which are available at usa.sika.com/lahabra or by calling SIKA Facades' Technical Service Department at 1-800-589-1336. Nothing contained in any SIKA literature or materials relieves the user of the obligation to read and follow the warnings and instructions for each SIKA product as set forth in the current product label, Product Data Sheet and Safety Data Sheet prior to use of the SIKA product.

SIKA warrants this product for one year from date of installation to be free from manufacturing defects and to meet the technical properties on the current Product Data Sheet if used as directed within the product's shelf life. User determines suitability of product for intended use and assumes all risks. User's and/or buyer's sole remedy shall be limited to the purchase price or replacement of this product exclusive of any labor costs. NO OTHER WARRANTIES EXPRESS OR IMPLIED SHALL APPLY INCLUDING ANY WARRANTY OF MERCHANTABILITY OR FITNESS FOR A PARTICULAR PURPOSE. SIKA SHALL NOT BE LIABLE UNDER ANY LEGAL THEORY FOR SPECIAL OR CONSEQUENTIAL DAMAGES. SIKA SHALL NOT BE RESPONSIBLE FOR THE USE OF THIS PRODUCT IN A MANNER TO INFRINGE ON ANY PATENT OR ANY OTHER INTELLECTUAL PROPERTY RIGHTS HELD BY OTHERS. Sale of SIKA products are subject to the Terms and Conditions of Sale which are available at usa.sika.com.