

## Senergy Platinum CI Stucco

A continuously insulated stucco system

### DESCRIPTION

Senergy Platinum CI Stucco is a continuously insulated stucco system with a variety of rigid insulation board options to optimize thermal performance.

### ACCEPTABLE SUBSTRATES

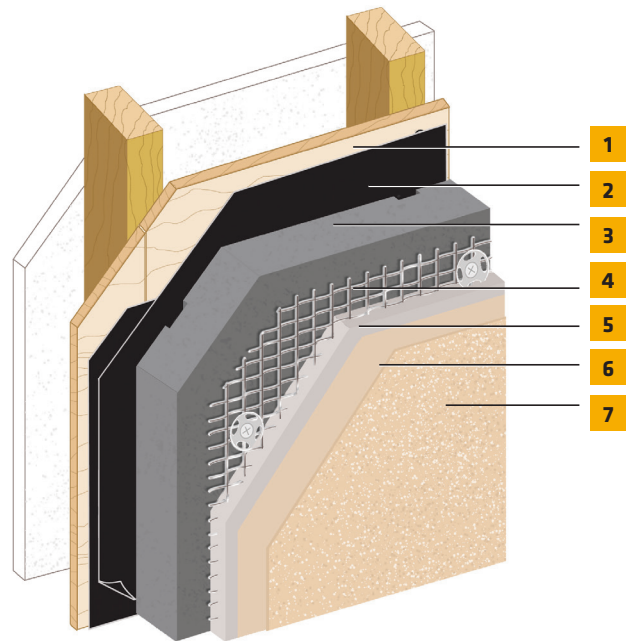
ASTM C1177 type sheathings, including DensGlass™ exterior sheathing, eXP™ sheathing, GlasRoc® sheathing, Securock™ glass-mat sheathing, Weather Defense™ Platinum sheathing and GreenGlass® sheathing, PermaBase™ cement-board by National Gypsum and other cement boards (ASTM C1325 Type A Exterior), Untreated Exposure I or exterior plywood sheathing (grade C-D or better) Untreated Exposure I OSB, Poured concrete/unit masonry.

### USES

For exterior walls in new and retrofit commercial, institutional and residential construction when a continuous high effective R-value is needed to meet energy or eco-efficiency standards, and/or when a rainscreen is desired or required to satisfy code issues related to drainage.

### DESIGN CONSIDERATIONS

- Maximum allowable deflection L/360, based on structural properties only.
- The design wind load shall not exceed the system's allowable wind load as stated in applicable code reports.
- Details shall conform with Sika Facades recommendations and shall be consistent with the project requirements.
- Control joints and trim accessories required. Control joint placement is required in the Senergy Platinum CI Wall System every 144 ft<sup>2</sup> per ASTM C1063.
- Consult the framing and sheathing manufacturer for design and application considerations.
- Expansion joints are required in the system where they exist in the substrate, where the system adjoins dissimilar construction, at changes in substrates and at floor lines in multilevel wood frame construction.
- System shall terminate at expansion joints.
- Sealant joints shall be detailed and installed per sealant manufacturer's recommendations.
- A minimum 6:12 slope is required on all horizontal surfaces greater than 1".
- Backer rod, sealant and flashing are required at door and window openings.



1. Acceptable Sheathing\*
2. Water-Resistive Barrier\*
3. Approved Rigid Insulation Board\*
4. SikaWall Permalath 1000 or Metal Plaster Base\*
5. SikaWall Stucco Base
6. SikaWall Stucco Prime (Optional)
7. Senergy Finish

\*By Others

## Senergy Platinum CI Stucco

### Senergy Platinum CI Stucco Test Results Complies with AC 11

TEST	RESULT
ASTM G153 Accelerated weathering	No deleterious effects after 2000 hours viewed under 5x magnification
ASTM D2247 Water Resistance	No deleterious effects at 14 day exposure
UBC Standard 26-9/NFPA 285 Intermediate Scale Multi-story Fire Test	Met test criteria with Senergy Senershield-R/-RS/-VB, Certa Wrap, Weather-Mate or WeatherMate Plus, Tyvek StuccoWrap, Grade D Building Paper or No. 15 Asphalt Felt
NFPA 268 Radiant heat exposure	Met test criteria
ASTM E 84 Surface burning	System Components Flame spread <25; Smoke developed <450
ASTM E119 Methods for fire tests of building construction and materials	1-hour rating with maximum R10 Neopor GPS Plus Rigid Insulation Board
ASTM E136 Behavior of materials in a vertical tube furnace at 750° C	SikaWall Stucco Base with SikaWall Permalath 1000 specimens met the weight loss criteria for passing the test
ASTM E2273 Drainage efficiency	Exceeds 90% minimum
ASTM B117 Salt spray resistance	No deleterious effects at 300 hours exposure period
AC11 Freeze-thaw resistance	No deleterious effects after 10 cycles viewed under 5x magnification

### WARRANTY

Prior to each use of any product of Sika Corporation, its subsidiaries or affiliates ("SIKA"), the user must always read and follow the warnings and instructions on the product's most current product label, Product Data Sheet and Safety Data Sheet which are available at [usa.sika.com/senergy](http://usa.sika.com/senergy) or by calling SIKA Facades' Technical Service Department at 1-800-589-1336. Nothing contained in any SIKA literature or materials relieves the user of the obligation to read and follow the warnings and instructions for each SIKA product as set forth in the current product label, Product Data Sheet and Safety Data Sheet prior to use of the SIKA product.

SIKA warrants this product for one year from date of installation to be free from manufacturing defects and to meet the technical properties on the current Product Data Sheet if used as directed within the product's shelf life. User determines suitability of product for intended use and assumes all risks. User's and/or buyer's sole remedy shall be limited to the purchase price or replacement of this product exclusive of any labor costs. NO OTHER WARRANTIES EXPRESS OR IMPLIED SHALL APPLY INCLUDING ANY WARRANTY OF MERCHANTABILITY OR FITNESS FOR A PARTICULAR PURPOSE. SIKA SHALL NOT BE LIABLE UNDER ANY LEGAL THEORY FOR SPECIAL OR CONSEQUENTIAL DAMAGES. SIKA SHALL NOT BE RESPONSIBLE FOR THE USE OF THIS PRODUCT IN A MANNER TO INFRINGE ON ANY PATENT OR ANY OTHER INTELLECTUAL PROPERTY RIGHTS HELD BY OTHERS. Sale of SIKA products are subject to the Terms and Conditions of Sale which are available at [usa.sika.com](http://usa.sika.com).

Sika Corporation  
201 Polito Avenue  
Lyndhurst, NJ 07071 USA  
Customer Service +1 (800) 433-9517  
Technical Service +1 (800) 589-1336  
[usa.sika.com/senergy](http://usa.sika.com/senergy)

Rev April 2024

**BUILDING TRUST**

