

TECHNICAL BULLETIN

TARGET MARKET ROOFING



BUILDING TRUST

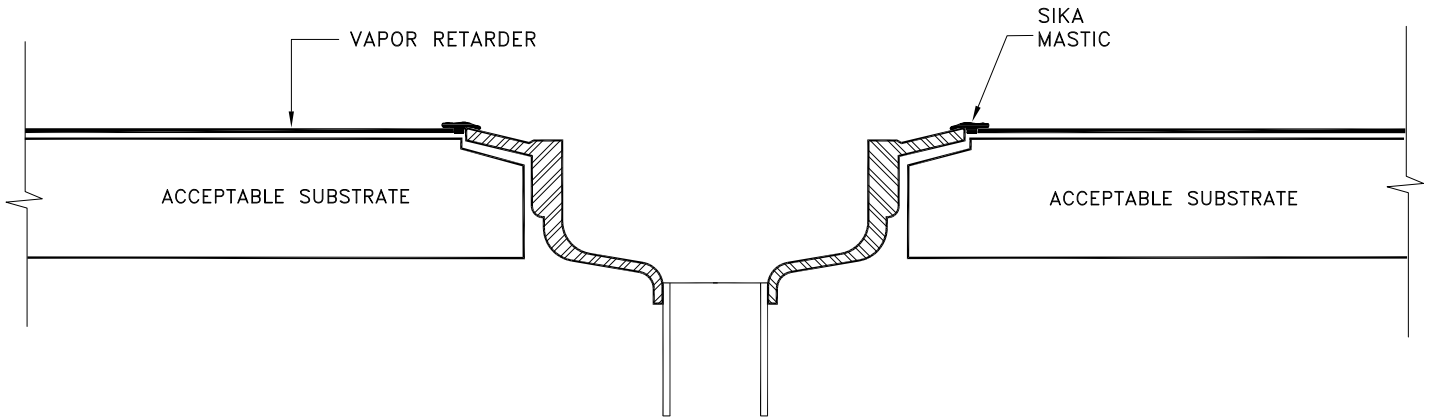
**Subject: Vapor Retarder/Temporary Roof Details****16-08**

Sika Corporation – Roofing offers several roofing products that can be used as vapor retarders and as temporary roof protection. The table below provides a summary of the products, type, thickness and use. Please refer to the specific Product Data Sheet for complete information.

Product Name	Type	Thickness (mils)	Use	
			Vapor Retarder	Temporary Roof
Vapor Retarder PE 10	Low density polyethylene	10	Yes	No
Vapor Retarder SA 31	Self-adhesive SBS modified bitumen	31	Yes	Yes – up to 3 months (limited to light construction traffic only)
Vapor Retarder SA 106	Self-adhesive SBS modified bitumen	106	Yes	Yes – up to 6 months
Vapor Retarder TA 138	Torch applied SBS modified bitumen	138	Yes	Yes – up to 6 months
Ply Sheet HA 87	Hot applied SBS modified bitumen	87	Yes	No
Ply Sheet TA 87	Torch applied SBS modified bitumen	87	Yes	No

Attached please find Vapor Retarder/Temporary Roof details for the following applications.

- Drain Detail
- Penetration Detail
- Vertical Transition Detail



NOTES:

- 1) SEAL EDGE OF VAPOR RETARDER TO FORM CONTINUOUS BARRIER.
- 2) STEEL DECKS – THE VAPOR RETARDER SHALL BE ADHERED TO A MECHANICALLY FASTENED THERMAL BARRIER.
- 3) DETAIL IS INTENDED FOR SITUATIONS WHERE WATER WILL SHED AND IS NOT INTENDED FOR PONDING WATER SITUATIONS.

TEMPORARY ROOF/VAPOR RETARDER – DRAIN DETAIL

BUILDING TRUST

781-828-5400



usa.sarnafil.sika.com

JOB NAME:

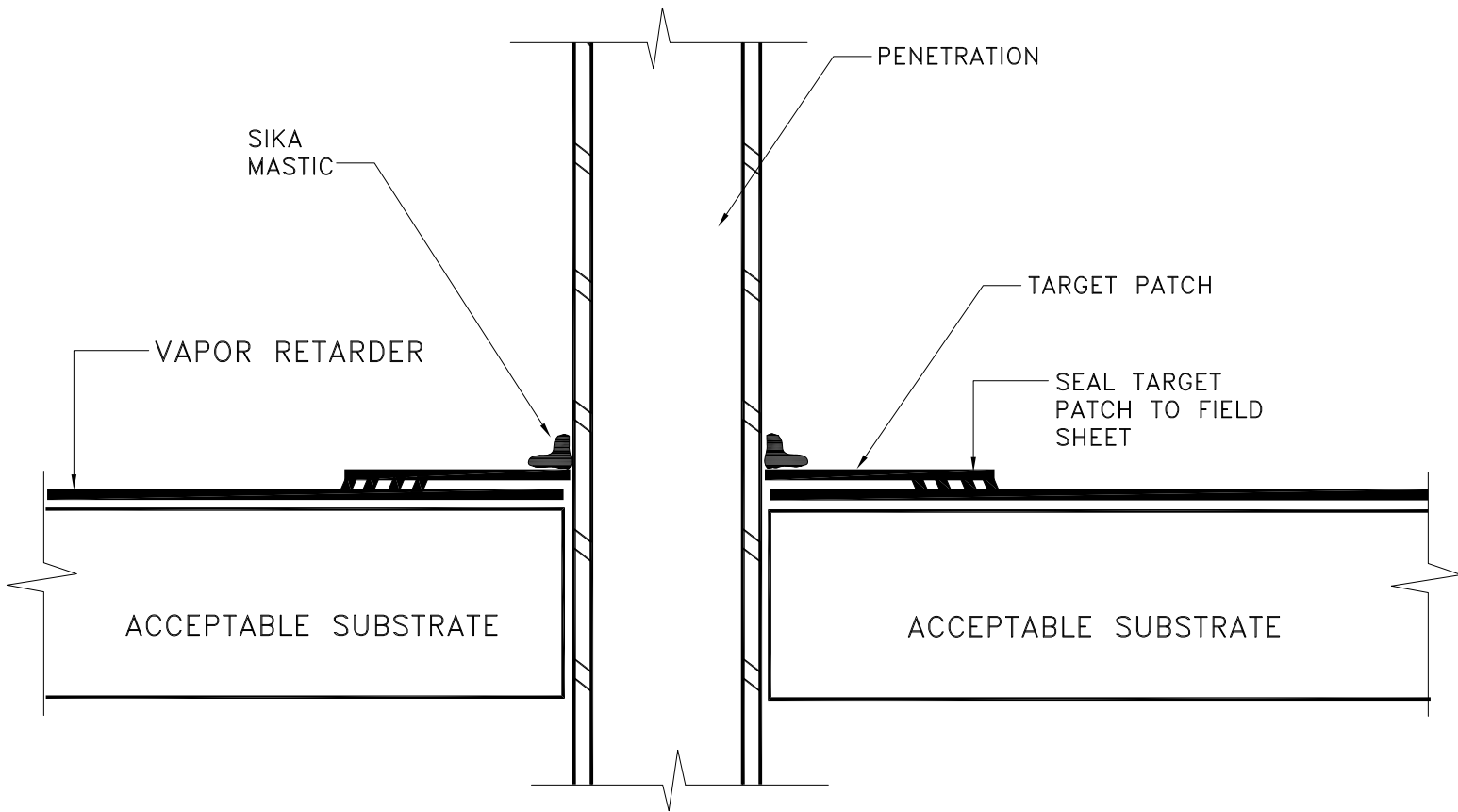
SCALE: **N.T.S.**

DATE: **11/16**

FILE NO.:

DRW. NO.: **1**

AS A MEMBRANE MANUFACTURER, SIKA CORPORATION ("SIKA") REVIEWS DETAILS PREPARED BY THE CONSULTANT, ARCHITECT AND/OR ENGINEER FOR A PROJECT SOLELY FOR THE PURPOSE OF DETERMINING IF A SIKA WARRANTY MAY ISSUE FOR THE PROJECT. THIS REVIEW IS NOT TO BE CONSTRUED AS APPROVAL OF DETAILS BY SIKA AND IS NOT BEING CONDUCTED IN LIEU OF SOUND ENGINEERING AND ARCHITECTURAL PRACTICES AND JUDGMENT AND SHOULD NOT BE RELIED UPON FOR THAT PURPOSE. SIKA CORPORATION ASSUMES NO LIABILITY WITH RESPECT TO THE DESIGN OF THE ROOFING OR WATERPROOFING SYSTEM, THE ARCHITECT, CONSULTANT AND/OR ENGINEER OR DESIGN PROFESSIONAL FOR A PARTICULAR PROJECT BEARS THE SOLE RESPONSIBILITY FOR THE DESIGN OF THE ROOFING OR WATERPROOFING SYSTEM, FOR THE PREPARATION AND APPROVAL OF THE DETAILS AND SHOP DRAWINGS, AND FOR DETERMINING THEIR SUITABILITY FOR A PARTICULAR PROJECT OR APPLICATION, WHILE SIKA PROVIDES GENERAL INSTRUCTIONS FOR THE INSTALLATION OF ITS MEMBRANE AS WELL AS TRAINING FOR SIKA AUTHORIZED APPLICATORS. THE MEANS AND METHODS USED BY THE CONTRACTOR FOR SURFACE PREPARATION AS WELL AS THE MEANS AND METHODS EMPLOYED BY THE CONTRACTOR IN THE INSTALLATION OF THE SIKA MEMBRANE ARE THE RESPONSIBILITY OF THE CONTRACTOR. ALL SALE OF SIKA PRODUCTS AND SERVICES ARE SUBJECT TO SIKA' TERMS AND CONDITIONS OF SALE AVAILABLE AT USA.SARNAFIL.SIKA.COM.



NOTES:

- 1) SEAL EDGE OF VAPOR RETARDER TO FORM CONTINUOUS BARRIER.
- 2) STEEL DECKS – THE VAPOR RETARDER SHALL BE ADHERED TO A MECHANICALLY FASTENED THERMAL BARRIER.
- 3) DETAIL IS INTENDED FOR SITUATIONS WHERE WATER WILL SHED AND IS NOT INTENDED FOR PONDING WATER SITUATIONS.

TEMPORARY ROOF/VAPOR RETARDER – PENETRATION DETAIL

BUILDING TRUST

781-828-5400



usa.sarnafil.sika.com

JOB NAME:

SCALE: **N.T.S.**

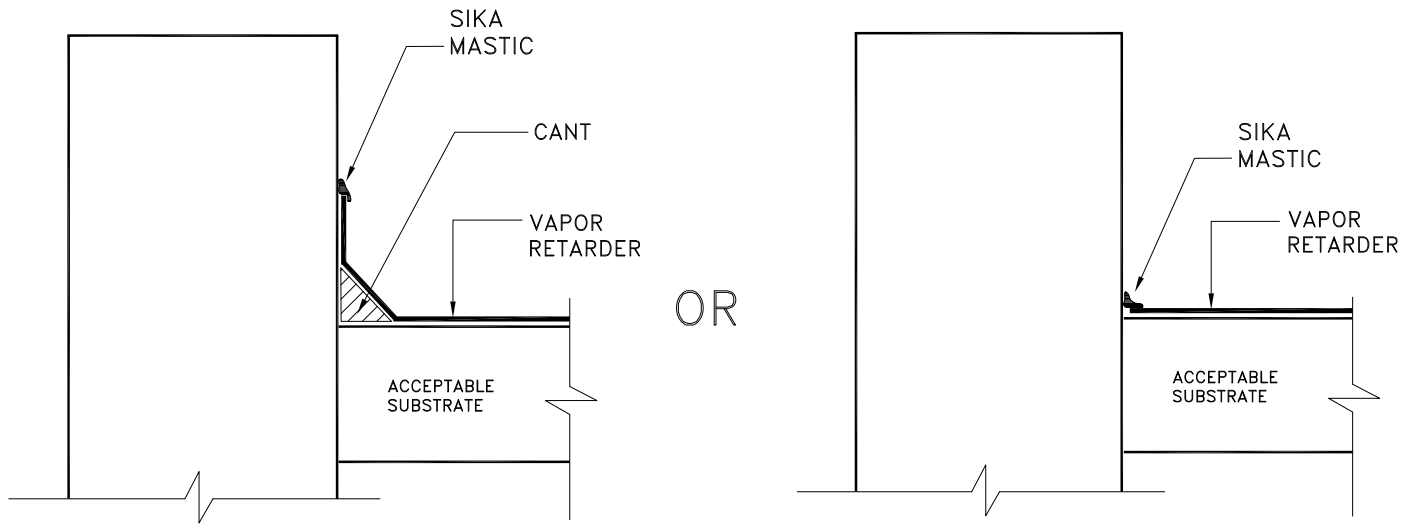
DATE: **11/16**

FILE NO.:

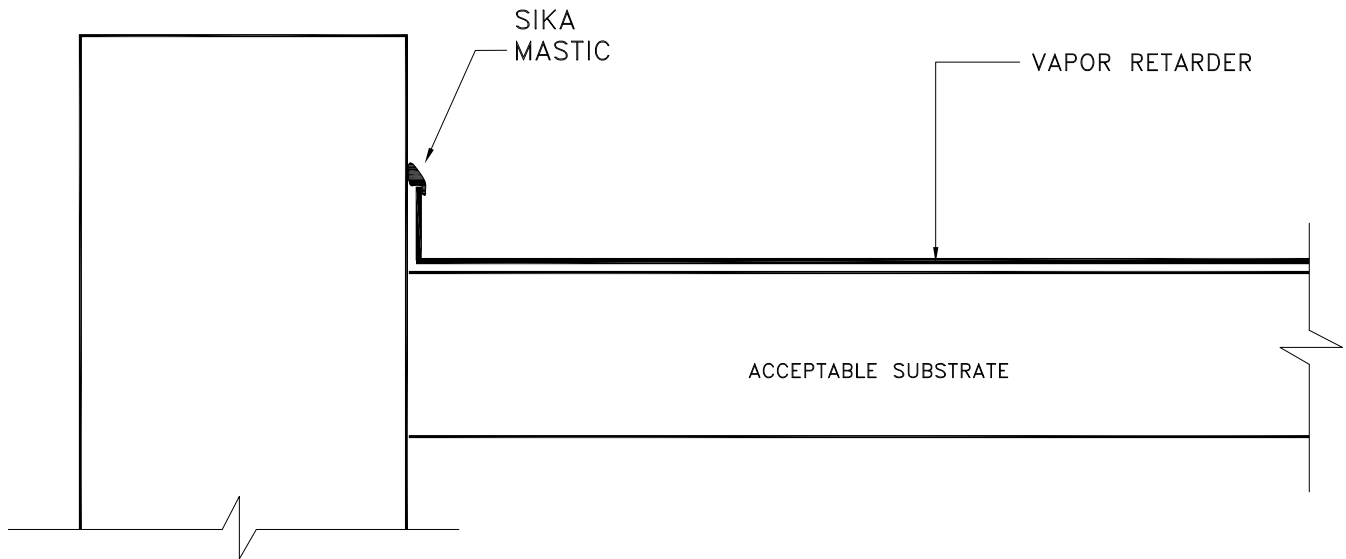
DRW. NO.: **2**

AS A MEMBRANE MANUFACTURER, SIKA CORPORATION ("SIKA") REVIEWS DETAILS PREPARED BY THE CONSULTANT, ARCHITECT AND/OR ENGINEER FOR A PROJECT SOLELY FOR THE PURPOSE OF DETERMINING IF A SIKA WARRANTY MAY ISSUE FOR THE PROJECT. THIS REVIEW IS NOT TO BE CONSTRUED AS APPROVAL OF DETAILS BY SIKA AND IS NOT BEING CONDUCTED IN LIEU OF SOUND ENGINEERING AND ARCHITECTURAL PRACTICES AND JUDGMENT AND SHOULD NOT BE RELIED UPON FOR THAT PURPOSE. SIKA CORPORATION ASSUMES NO LIABILITY WITH RESPECT TO THE DESIGN OF THE ROOFING OR WATERPROOFING SYSTEM, THE ARCHITECT, CONSULTANT AND/OR ENGINEER OR DESIGN PROFESSIONAL FOR A PARTICULAR PROJECT BEARS THE SOLE RESPONSIBILITY FOR THE DESIGN OF THE ROOFING OR WATERPROOFING SYSTEM, FOR THE PREPARATION AND APPROVAL OF THE DETAILS AND SHOP DRAWINGS, AND FOR DETERMINING THEIR SUITABILITY FOR A PARTICULAR PROJECT OR APPLICATION, WHILE SIKA PROVIDES GENERAL INSTRUCTIONS FOR THE INSTALLATION OF ITS MEMBRANE AS WELL AS TRAINING FOR SIKA AUTHORIZED APPLICATORS. THE MEANS AND METHODS USED BY THE CONTRACTOR FOR SURFACE PREPARATION AS WELL AS THE MEANS AND METHODS EMPLOYED BY THE CONTRACTOR IN THE INSTALLATION OF THE SIKA MEMBRANE ARE THE RESPONSIBILITY OF THE CONTRACTOR. ALL SALE OF SIKA PRODUCTS AND SERVICES ARE SUBJECT TO SIKA' TERMS AND CONDITIONS OF SALE AVAILABLE AT USA.SARNAFIL.SIKA.COM.

DETAIL FOR PLY SHEET GLASS REINFORCED: HYBRID ROOF



TERMINATION AT EDGE FOR VAPOR RETARDER:



NOTES:

- 1) SEAL EDGE OF VAPOR RETARDER TO FORM CONTINUOUS BARRIER.
- 2) STEEL DECKS – THE VAPOR RETARDER SHALL BE ADHERED TO A MECHANICALLY FASTENED THERMAL BARRIER.
- 3) DETAIL IS INTENDED FOR SITUATIONS WHERE WATER WILL SHED AND IS NOT INTENDED FOR PONDING WATER SITUATIONS.
- 4) THIS DETAIL AT PARAPET WALLS WILL ONLY BE EFFECTIVE IF THE PARAPET WALL DOES NOT ALLOW WATER TO SHORT CIRCUIT THE DETAIL.

TEMPORARY ROOF/VAPOR RETARDER –
VERTICAL TRANSITION DETAIL

BUILDING TRUST

781-828-5400



usa.sarnafil.sika.com

JOB NAME:

SCALE: **N.T.S.**

DATE: **11/16**

FILE NO.:

DRW. NO.:

3

AS A MEMBRANE MANUFACTURER, SIKA CORPORATION ("SIKA") REVIEWS DETAILS PREPARED BY THE CONSULTANT, ARCHITECT AND/OR ENGINEER FOR A PROJECT SOLELY FOR THE PURPOSE OF DETERMINING IF A SIKA WARRANTY MAY ISSUE FOR THE PROJECT. THIS REVIEW IS NOT TO BE CONSTRUED AS APPROVAL OF DETAILS BY SIKA AND IS NOT BEING CONDUCTED IN LIEU OF SOUND ENGINEERING AND ARCHITECTURAL PRACTICES AND JUDGMENT AND SHOULD NOT BE RELIED UPON FOR THAT PURPOSE. SIKA CORPORATION ASSUMES NO LIABILITY WITH RESPECT TO THE DESIGN OF THE ROOFING OR WATERPROOFING SYSTEM, THE ARCHITECT, CONSULTANT AND/OR ENGINEER OR DESIGN PROFESSIONAL FOR A PARTICULAR PROJECT BEARS THE SOLE RESPONSIBILITY FOR THE DESIGN OF THE ROOFING OR WATERPROOFING SYSTEM, FOR THE PREPARATION AND APPROVAL OF THE DETAILS AND SHOP DRAWINGS, AND FOR DETERMINING THEIR SUITABILITY FOR A PARTICULAR PROJECT OR APPLICATION, WHILE SIKA PROVIDES GENERAL INSTRUCTIONS FOR THE INSTALLATION OF ITS MEMBRANE AS WELL AS TRAINING FOR SIKA AUTHORIZED APPLICATORS. THE MEANS AND METHODS USED BY THE CONTRACTOR FOR SURFACE PREPARATION AS WELL AS THE MEANS AND METHODS EMPLOYED BY THE CONTRACTOR IN THE INSTALLATION OF THE SIKA MEMBRANE ARE THE RESPONSIBILITY OF THE CONTRACTOR. ALL SALE OF SIKA PRODUCTS AND SERVICES ARE SUBJECT TO SIKA' TERMS AND CONDITIONS OF SALE AVAILABLE AT USA.SARNAFIL.SIKA.COM.