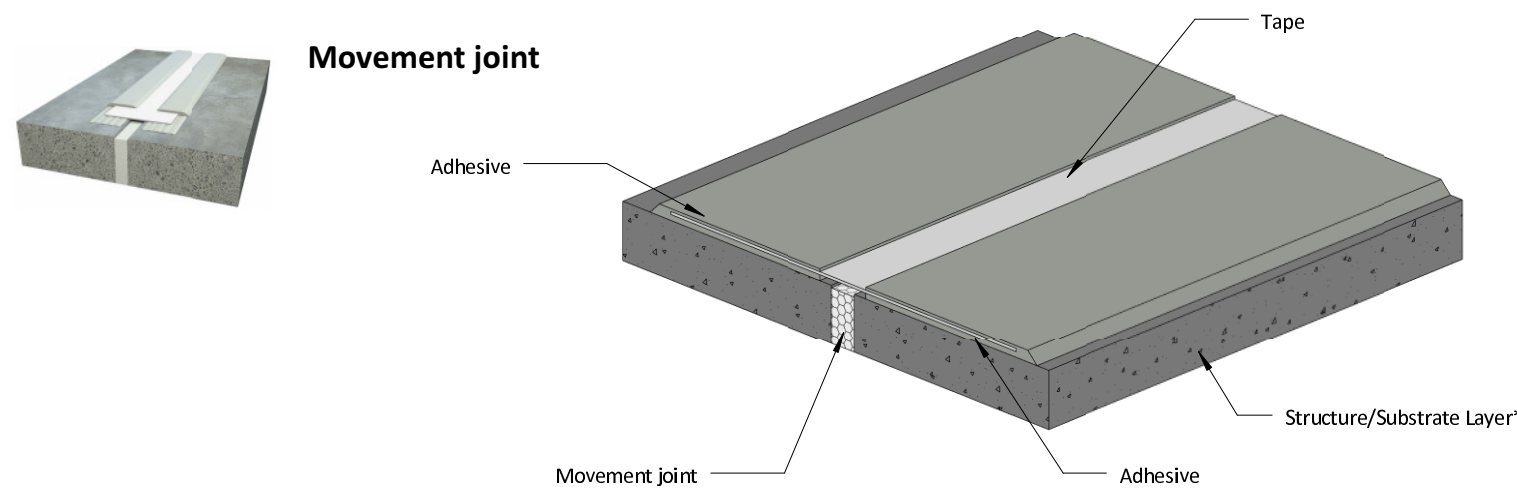
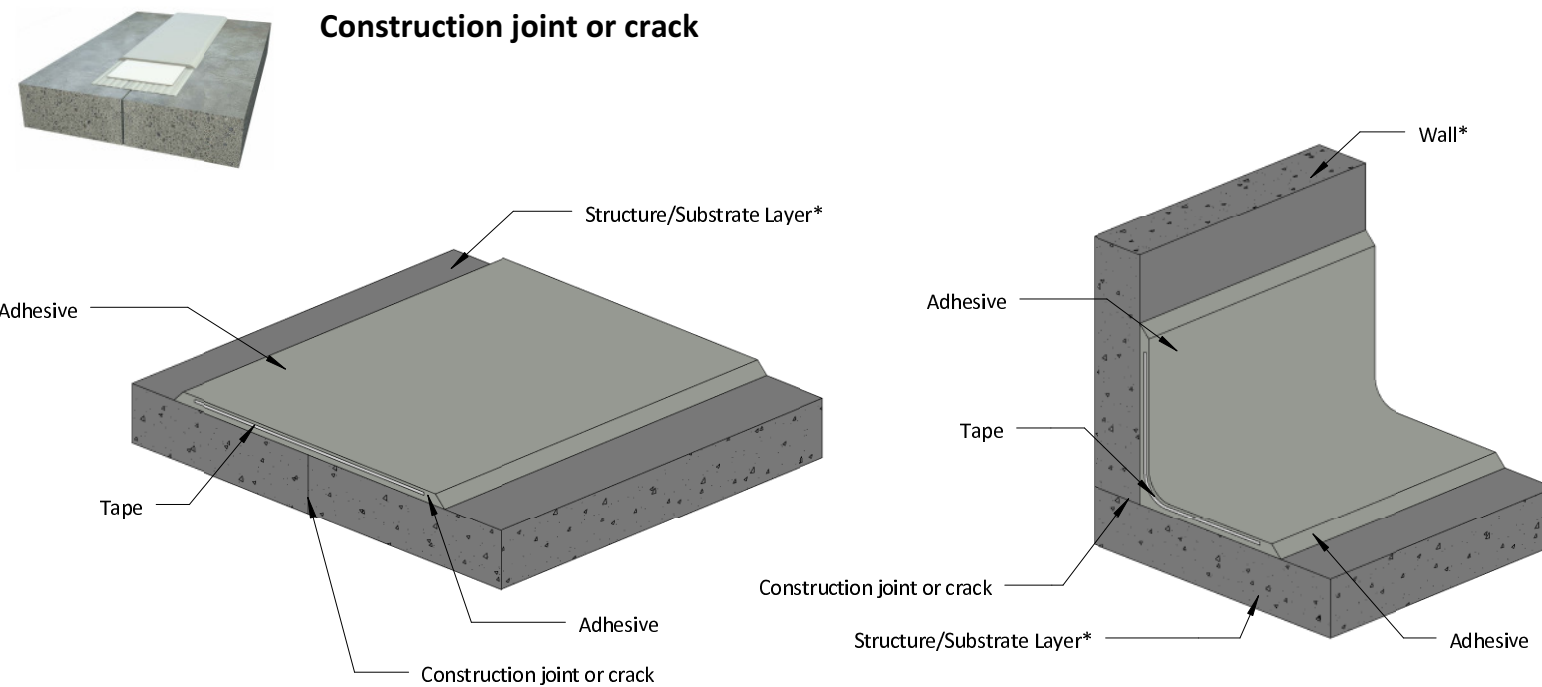


# Sikadur Combiflex® SG System

## HIGH PERFORMANCE JOINT SEALING SYSTEM



### DESCRIPTION

The Sikadur Combiflex® SG System is a high performance joint and crack sealing system for construction joints, expansion (movement) joints and connection joints or cracks. The system allows variable and high levels of movement in one or more directions, whilst maintaining a high quality watertight seal. The Sikadur Combiflex® SG System consists of a modified flexible Polyolefin (FPO) waterproofing tape, with advanced adhesion properties and a range of different special Sikadur® epoxy adhesives for use in different types of applications and conditions.

### USES

Sealing all types of joints and cracks in many different structures and applications including:

- Tunnels and culverts
- Hydro electric power plants
- Sewage treatment plants
- Basements
- Water retaining structures and drinking water reservoirs
- Around iron, steel and concrete pipes
- Swimming pools

Sealing of:

- Movement joints
- Construction joints
- Pipe penetration
- Cracks
- Building selections where varying settlement is expected

### CHARACTERISTICS / ADVANTAGES

- Versatile system suitable for many difficult situations
- Highly flexible - high crack and joint bridging ability
- Advanced adhesion, no activation on site required
- Good chemical resistance
- Easy and simple to install
- Suitable for dry and damp concrete substrates
- Weathering and UV-resistant
- Root penetration resistant
- Performs well within a wide range of temperatures
- Different grades of adhesive available
- Plasticiser-free
- Hot air weldable
- Can be used in contact with potable/drinking water

\* Different membrane thicknesses and widths are available in this BIM object. Please select the sealing products provided according to your needs as well.

### Sikadur Combiflex® SG System

HIGH PERFORMANCE JOINT SEALING SYSTEM

NOTES: This BIM object is not valid for performance analysis. The properties and thickness corresponding to the layers with (\*) in the BIM model(s), must be modified by the designer according to the specific characteristics of the project. Contact your local Sika company to check if this product or system is available in your market.

The information contained herein and any other advice are given in good faith based on Sika's current knowledge and experience of the products when properly stored, handled and applied under normal conditions in accordance with Sika's recommendations. The information only applies to the application(s) and product(s) expressly referred to herein and is based on laboratory tests which do not replace practical tests. In case of changes in the parameters of the application, such as changes in substrates etc., or in case of a different application, consult Sika's Technical Service prior to using Sika products. The information contained herein does not relieve the user of the products from testing them for the intended application and purpose. All orders are accepted subject to our current terms of sale and delivery. Users must always refer to the most recent issue of the local Product Data Sheet for the product concerned, copies of which will be supplied on request.

Sika Services AG  
Tüfenwies 16  
8048 Zürich  
Switzerland  
Tel: +41 584364040  
www.sika.com

910\_5713\_1812\_en  
December 14, 2018

BUILDING TRUST

