

LaHabra®



Pebbletex CI-DCA with MaxGrip Veneer Adhesive

Continuously Insulated System
with Adhered Veneer

Typical Details

BUILDING TRUST



Pebbletex CI-DCA with MaxGrip Veneer Adhesive

Typical Details

Table of Contents

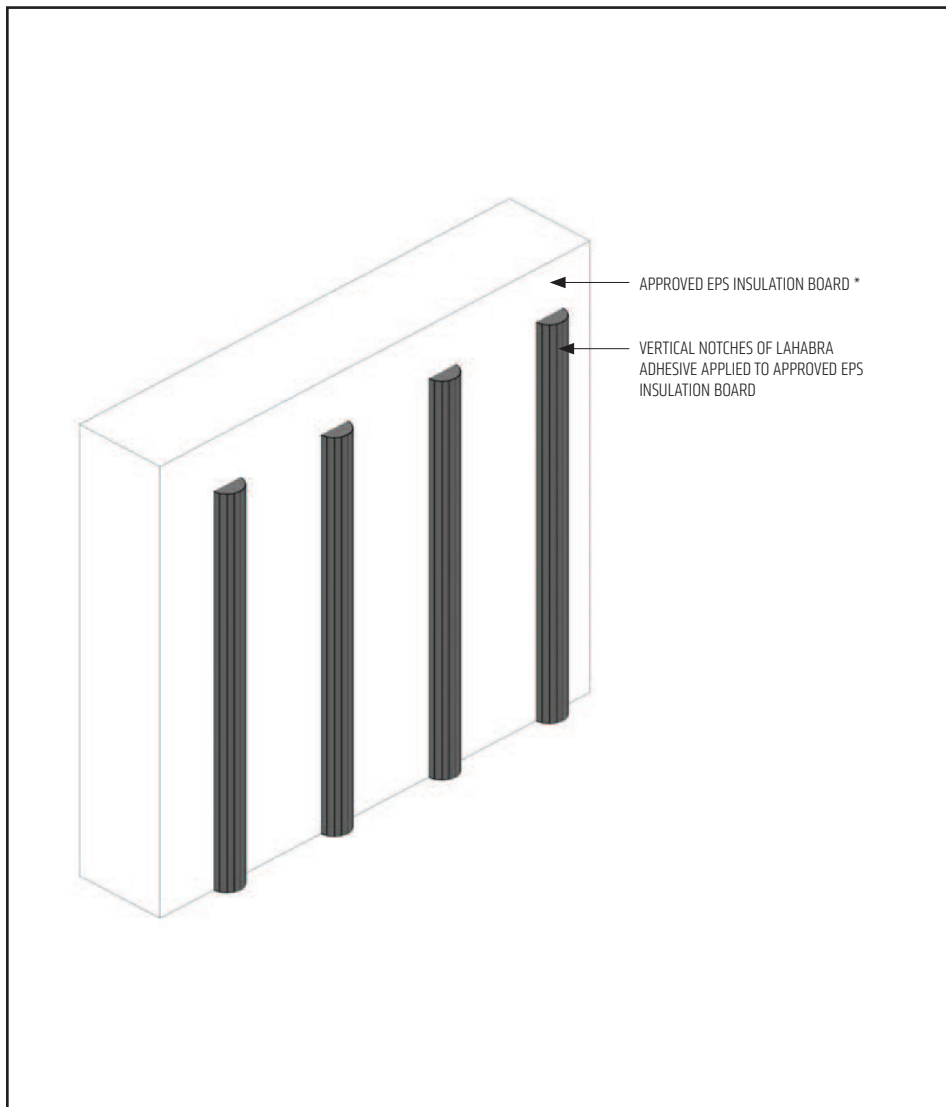
- | | |
|---|---|
| 1. Channeled Adhesive Profile | 13. Window Head (Flush) with Diverter Track |
| 2. Application | 14. Window Head with Sealant End Dam |
| 3. Outside Corner Application | 15. Window Jamb (Flush) |
| 4. Pipe Penetration | 16. Window Sill (Flush) |
| 5. Vertical Expansion Joint | 17. Window Head (Recessed) |
| 6. Expansion Joint at Change in Substrate | 18. Window Jamb (Recessed) |
| 7. Expansion Joint at Floorline | 19. Typical Window Sill (Recessed) |
| 8. Drainage at Floorline | 20. Flanged Window Head |
| 9. Termination at Foundation | 21. Flanged Window Jamb |
| 10. Termination at Foundation (Flush) | 22. Flanged Window Sill |
| 11. Window Head (Flush) | 23. Coping |
| 12. Window Head (Flush) with Weeps | 24. Railing Attachment |

Notes:

- **The details within are the latest recommendations and are represent in good faith by Sika Corporation US (hereinafter Sika). The details are subject to change without notice. Sika accepts no liability for the end use of the details. For conditions not shown, consult Sika for review of specific details.**
- **Install Sika materials in accordance with current installation instructions.**
- **Unsatisfactory conditions shall be reported to the General Contractor and corrected before the application of Sika products.**

Pebbletex CI-DCA with MaxGrip Veneer Adhesive

TYPICAL CHANNELED ADHESIVE PROFILE



- Apply mixed base coat to entire surface of insulation board using a stainless steel trowel with 1/2" x 1/2" (13 mm x 13 mm) notches spaced 2" (50 mm) apart. Ribbons of adhesive must be applied parallel to the 2' (610 mm) dimension of the EPS insulation board to ensure they are vertical when the EPS insulation board is applied to the substrate.
- Set EPS insulation board into place and apply pressure over entire surface of board to ensure positive uniform contact and high initial grab. Do not slide board into place.

CAM-01 240103

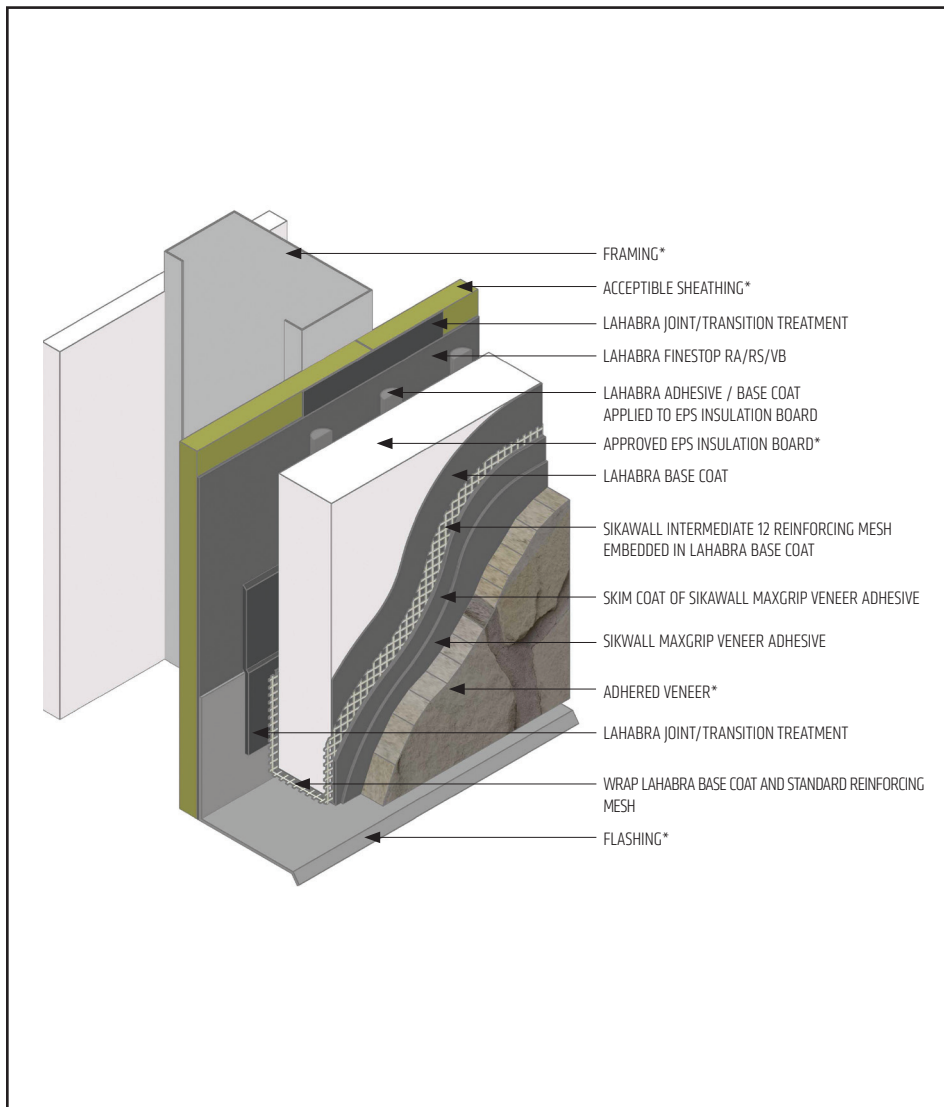
(*NOTE: BY OTHERS)

The details within are the latest recommendations and are represented in good faith by Sika Corporation US (hereinafter Sika). The details are subject to change without notice. Sika accepts no liability for the end use of the details. For conditions not shown, consult Sika for review of specific details.

- Install Sika materials in accordance with current installation instructions.
- Unsatisfactory conditions shall be reported to the General Contractor and corrected before the application of Sika products.

Pebbletex CI-DCA with MaxGrip Veneer Adhesive

TYPICAL APPLICATION



- All terminations must be fully encapsulated with mesh reinforced base coat.
- Ensure a means for drainage is provided at system terminations.
- Adhered veneer shall not exceed 15 lbs. (6.8 kg) per sq. ft.
- LaHabra Joint/Transition Treatment Options: SikaWall MaxFlash, SikaWall Sheathing Fabric embedded in Finestop RA/RS/VB or SikaWall Flash Seal NP.

CAM-02 240103

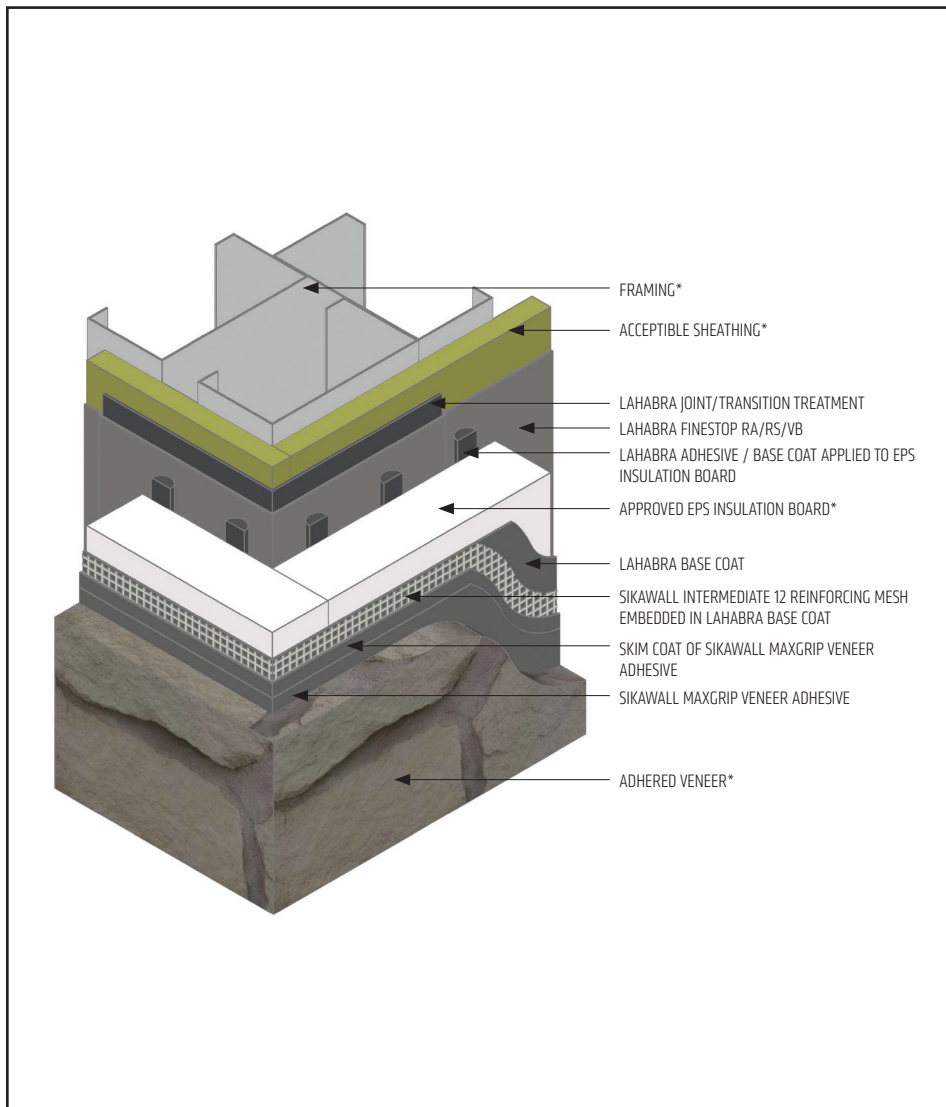
(*NOTE: BY OTHERS)

The details within are the latest recommendations and are represented in good faith by Sika Corporation US (hereinafter Sika). The details are subject to change without notice. Sika accepts no liability for the end use of the details. For conditions not shown, consult Sika for review of specific details.

- Install Sika materials in accordance with current installation instructions.
- Unsatisfactory conditions shall be reported to the General Contractor and corrected before the application of Sika products.

Pebbletex CI-DCA with MaxGrip Veneer Adhesive

TYPICAL OUTSIDE CORNER APPLICATION



- SikaWall Intermediate 12 reinforcing mesh is lapped a minimum of 8" (203 mm) around corners.
- LaHabra Joint/Transition Treatment Options: SikaWall MaxFlash, SikaWall Sheathing Fabric embedded in Finestop RA/RS/VB or SikaWall Flash Seal NP.

CAM-03 240103

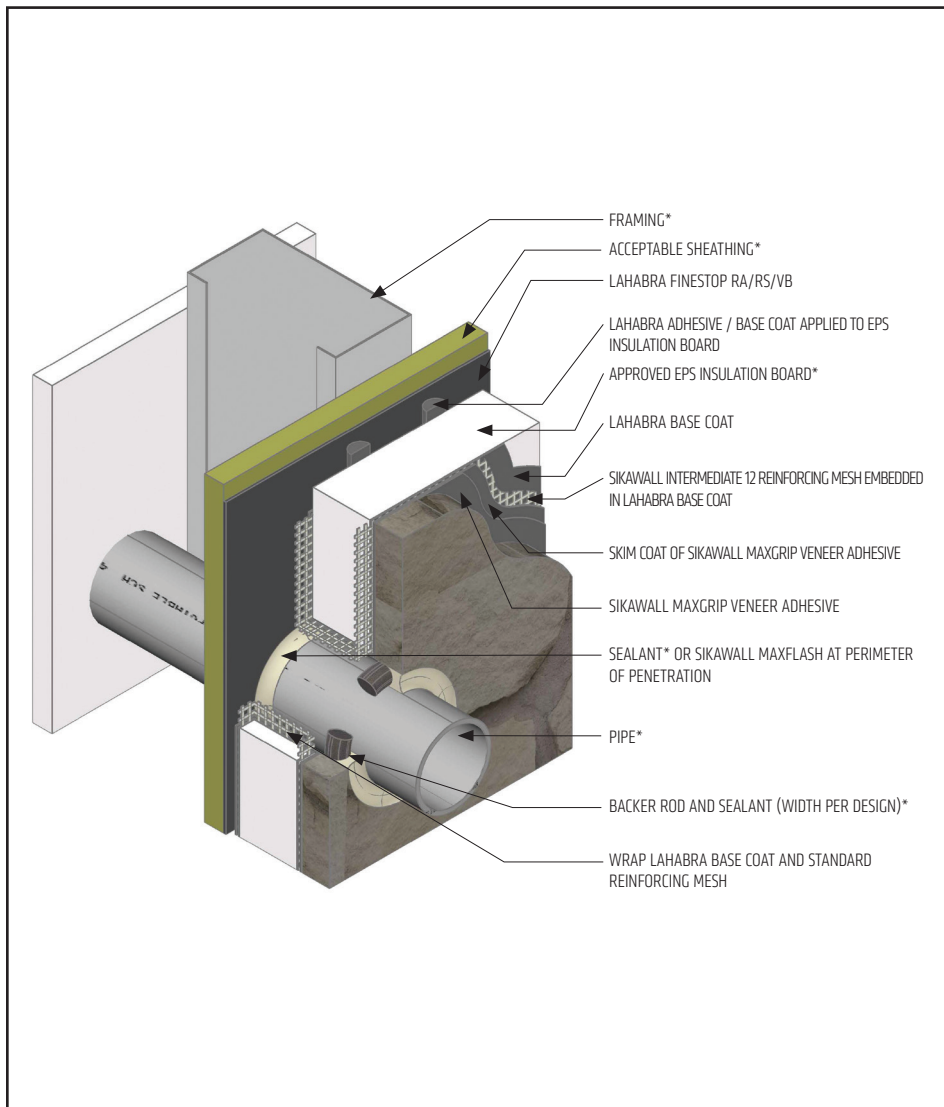
(*NOTE: BY OTHERS)

The details within are the latest recommendations and are represented in good faith by Sika Corporation US (hereinafter Sika). The details are subject to change without notice. Sika accepts no liability for the end use of the details. For conditions not shown, consult Sika for review of specific details.

- Install Sika materials in accordance with current installation instructions.
- Unsatisfactory conditions shall be reported to the General Contractor and corrected before the application of Sika products.

Pebbletex CI-DCA with MaxGrip Veneer Adhesive

TYPICAL PIPE PENETRATION



- All terminations must be fully encapsulated with mesh reinforced basecoat.
- Ensure all penetrations into the system are properly sealed.
- Provide continuous air seal around perimeter of penetration prior to EPS insulation board application.

CAM-04 240103

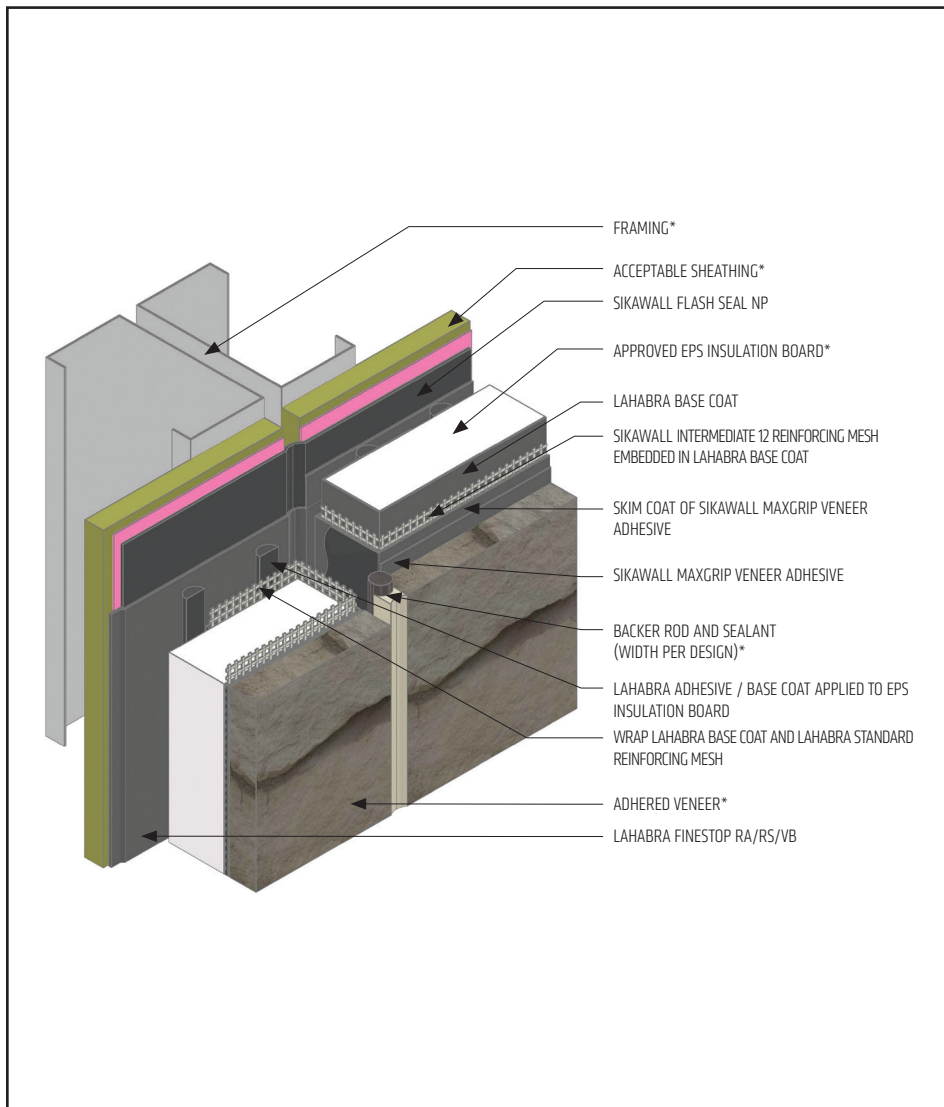
(*NOTE: BY OTHERS)

The details within are the latest recommendations and are represented in good faith by Sika Corporation US (hereinafter Sika). The details are subject to change without notice. Sika accepts no liability for the end use of the details. For conditions not shown, consult Sika for review of specific details.

- Install Sika materials in accordance with current installation instructions.
- Unsatisfactory conditions shall be reported to the General Contractor and corrected before the application of Sika products.

Pebbletex CI-DCA with MaxGrip Veneer Adhesive

TYPICAL VERTICAL EXPANSION JOINT



CAM-05 240103

(*NOTE: BY OTHERS)

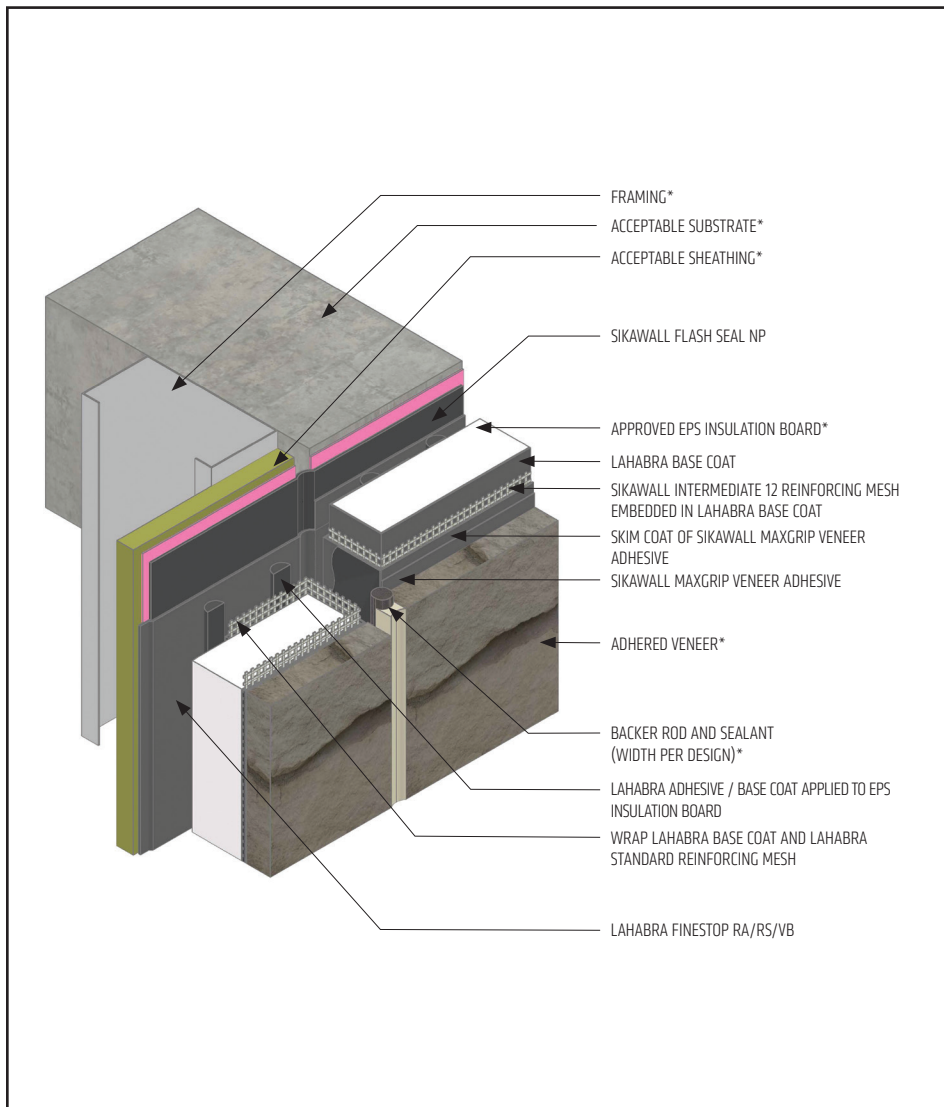
- All terminations must be fully encapsulated with mesh reinforced base coat.
- Typical locations for system expansion joints are at building expansion joints, at prefabricated panel joints, floor lines of wood frame construction or where slip tracks are used in steel frame construction, where substrates change and where structural movement is anticipated. It is the sole responsibility of the project design team, including the architect, engineer, etc., to ultimately determine specific expansion joint placement, width and design. Detail specific locations in construction drawings.
- Ensure drainage plane is continuous and unobstructed at expansion joint.

The details within are the latest recommendations and are represented in good faith by Sika Corporation US (hereinafter Sika). The details are subject to change without notice. Sika accepts no liability for the end use of the details. For conditions not shown, consult Sika for review of specific details.

- Install Sika materials in accordance with current installation instructions.
- Unsatisfactory conditions shall be reported to the General Contractor and corrected before the application of Sika products.

Pebbletex CI-DCA with MaxGrip Veneer Adhesive

TYPICAL EXPANSION JOINT AT CHANGE IN SUBSTRATE



- All terminations must be fully encapsulated with mesh reinforced base coat.
- Ensure drainage plane is continuous and unobstructed at expansion joint.
- Typical locations for system expansion joints are at building expansion joints, at prefabricated panel joints, floor lines of wood frame construction or where slip tracks are used in steel frame construction, where substrates change and where structural movement is anticipated. It is the sole responsibility of the project design team, including the architect, engineer, etc., to ultimately determine specific expansion joint placement, width and design. Detail specific locations in construction drawings.

CAM-06 240103

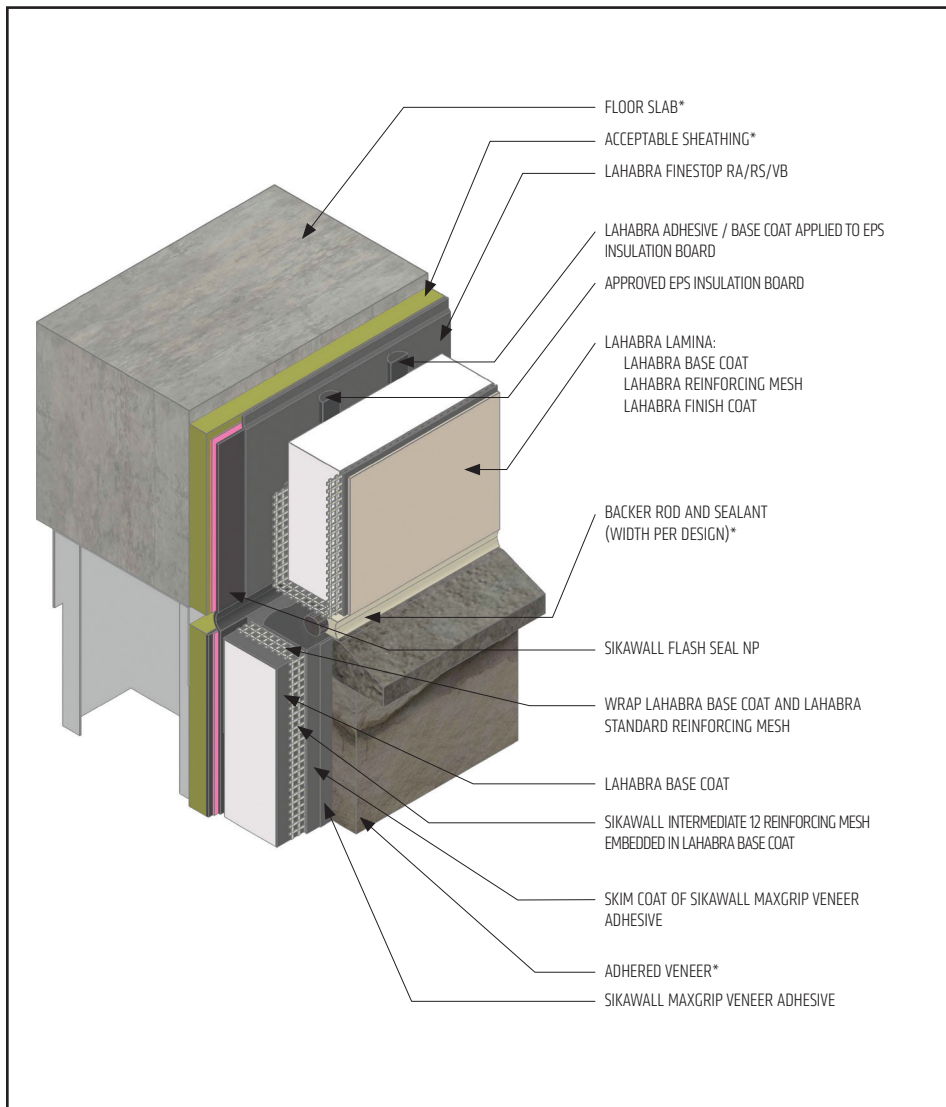
(*NOTE: BY OTHERS)

The details within are the latest recommendations and are represented in good faith by Sika Corporation US (hereinafter Sika). The details are subject to change without notice. Sika accepts no liability for the end use of the details. For conditions not shown, consult Sika for review of specific details.

- Install Sika materials in accordance with current installation instructions.
- Unsatisfactory conditions shall be reported to the General Contractor and corrected before the application of Sika products.

Pebbletex CI-DCA with MaxGrip Veneer Adhesive

TYPICAL EXPANSION JOINT AT FLOORLINE



CAM-07 240103

(*NOTE: BY OTHERS)

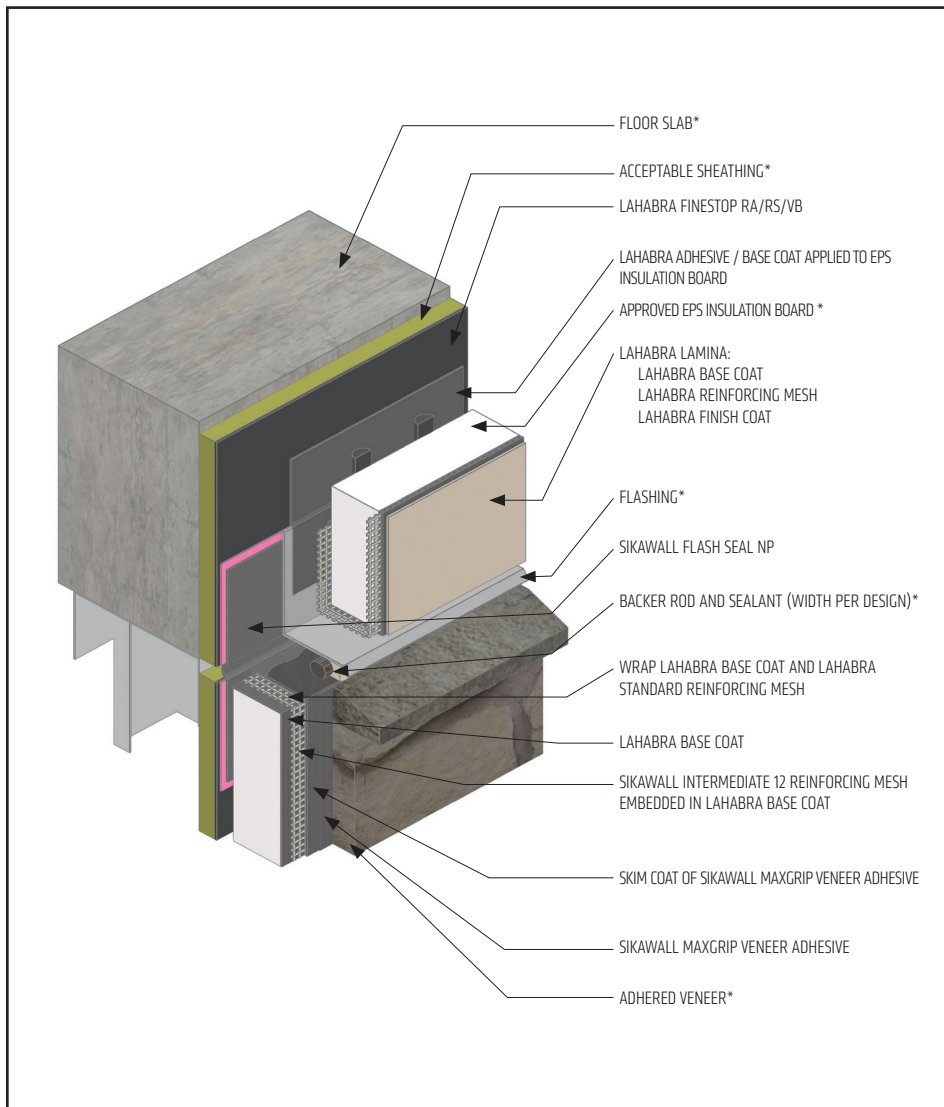
- All terminations must be fully encapsulated with mesh reinforced base coat.
- Install expansion joints in the system at all changes in substrate, terminations at dissimilar materials, through existing expansion joints, floor lines in multi-level wood frame construction, at slip track in steel framed construction and where movement is anticipated. It is the sole responsibility of the design professional to determine specific expansion joint location, placement and design.
- It is recommended that a means for drainage is provided at every third floor. (See TYPICAL DRAINAGE AT FLOORLINE detail).
- Do not apply finish to areas that will receive sealant.

The details within are the latest recommendations and are represented in good faith by Sika Corporation US (hereinafter Sika). The details are subject to change without notice. Sika accepts no liability for the end use of the details. For conditions not shown, consult Sika for review of specific details.

- Install Sika materials in accordance with current installation instructions.
- Unsatisfactory conditions shall be reported to the General Contractor and corrected before the application of Sika products.

Pebbletex CI-DCA with MaxGrip Veneer Adhesive

TYPICAL DRAINAGE AT FLOORLINE



CAM-08 240103

(*NOTE: BY OTHERS)

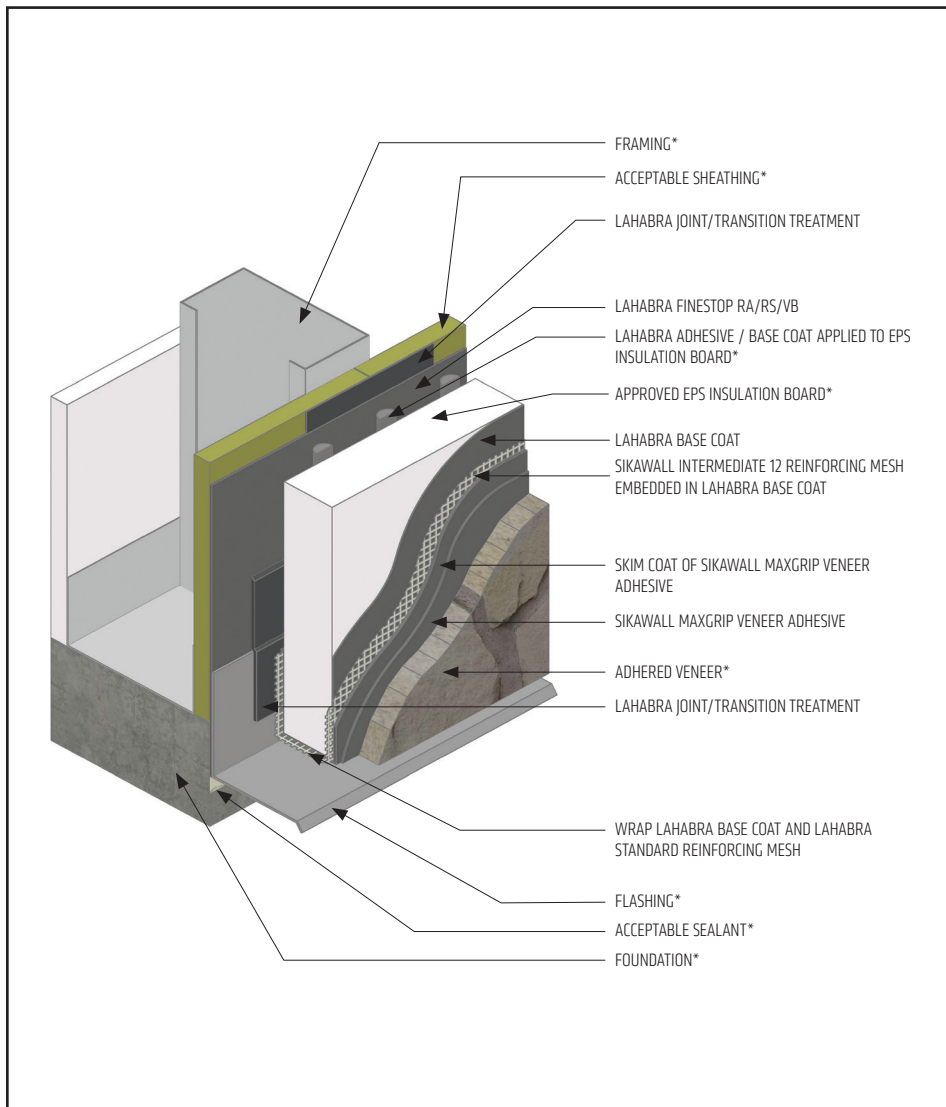
- All terminations must be fully encapsulated with mesh reinforced base coat.
- Do not apply finish to areas that will receive sealant.
- Install expansion joints in the system at all changes in substrate, terminations at dissimilar materials, through existing expansion joints, floor lines in multi-level wood frame construction, at slip track in steel framed construction and where movement is anticipated. It is the sole responsibility of the design professional to determine specific expansion joint location, placement and design.
- It is recommended that a means for drainage is provided at every third floor.
- LaHabra Joint/Transition Treatment Options: SikaWall MaxFlash, SikaWall Sheathing Fabric embedded in Finestop RA/RS/VB or SikaWall Flash Seal NP.

The details within are the latest recommendations and are represented in good faith by Sika Corporation US (hereinafter Sika). The details are subject to change without notice. Sika accepts no liability for the end use of the details. For conditions not shown, consult Sika for review of specific details.

- Install Sika materials in accordance with current installation instructions.
- Unsatisfactory conditions shall be reported to the General Contractor and corrected before the application of Sika products.

Pebbletex CI-DCA with MaxGrip Veneer Adhesive

TYPICAL TERMINATION AT FOUNDATION



- All terminations must be fully encapsulated with mesh reinforced base coat.
- Ensure a means for drainage is provided at system termination at foundation.
- Terminate system a minimum of 6" (152 mm) above grade.
- Extend system a minimum of 2" (50 mm) and a maximum of 12" (305 mm) at the sole plate foundation transition.
- LaHabra Joint/Transition Treatment Options: SikaWall MaxFlash, SikaWall Sheathing Fabric embedded in Finestop RA/RS/VB or SikaWall Flash Seal NP

CAM-09 240103

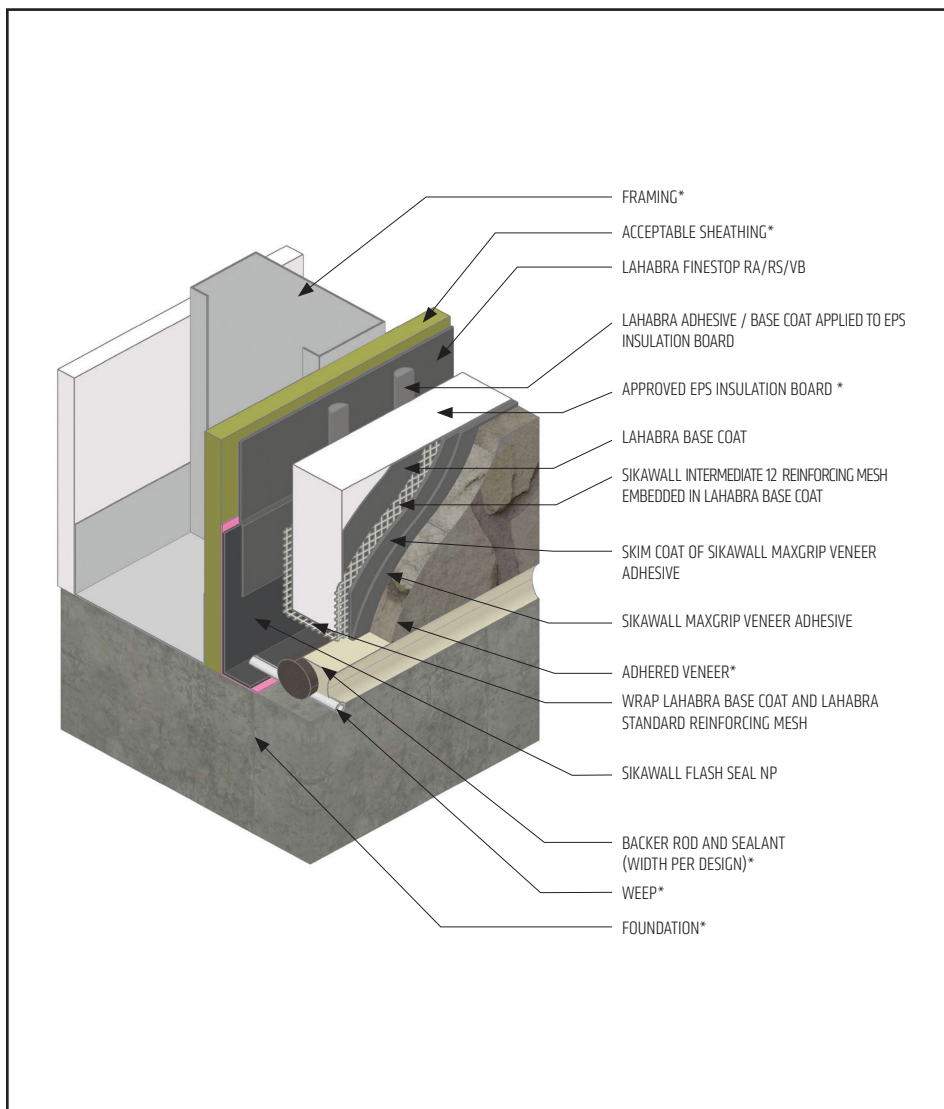
(*NOTE: BY OTHERS)

The details within are the latest recommendations and are represented in good faith by Sika Corporation US (hereinafter Sika). The details are subject to change without notice. Sika accepts no liability for the end use of the details. For conditions not shown, consult Sika for review of specific details.

- Install Sika materials in accordance with current installation instructions.
- Unsatisfactory conditions shall be reported to the General Contractor and corrected before the application of Sika products.

Pebbletex CI-DCA with MaxGrip Veneer Adhesive

TYPICAL TERMINATION AT FOUNDATION (FLUSH)



- All terminations must be fully encapsulated with mesh reinforced base coat.
- Ensure a means for drainage is provided at system termination at foundation.
- Place weeps a minimum of 24" (610 mm) on center.
- LaHabra Joint/Transition Treatment Options: SikaWall MaxFlash, SikaWall Sheathing Fabric embedded in Finestop RA/RS/VB or SikaWall Flash Seal NP.

CAM-10 240103

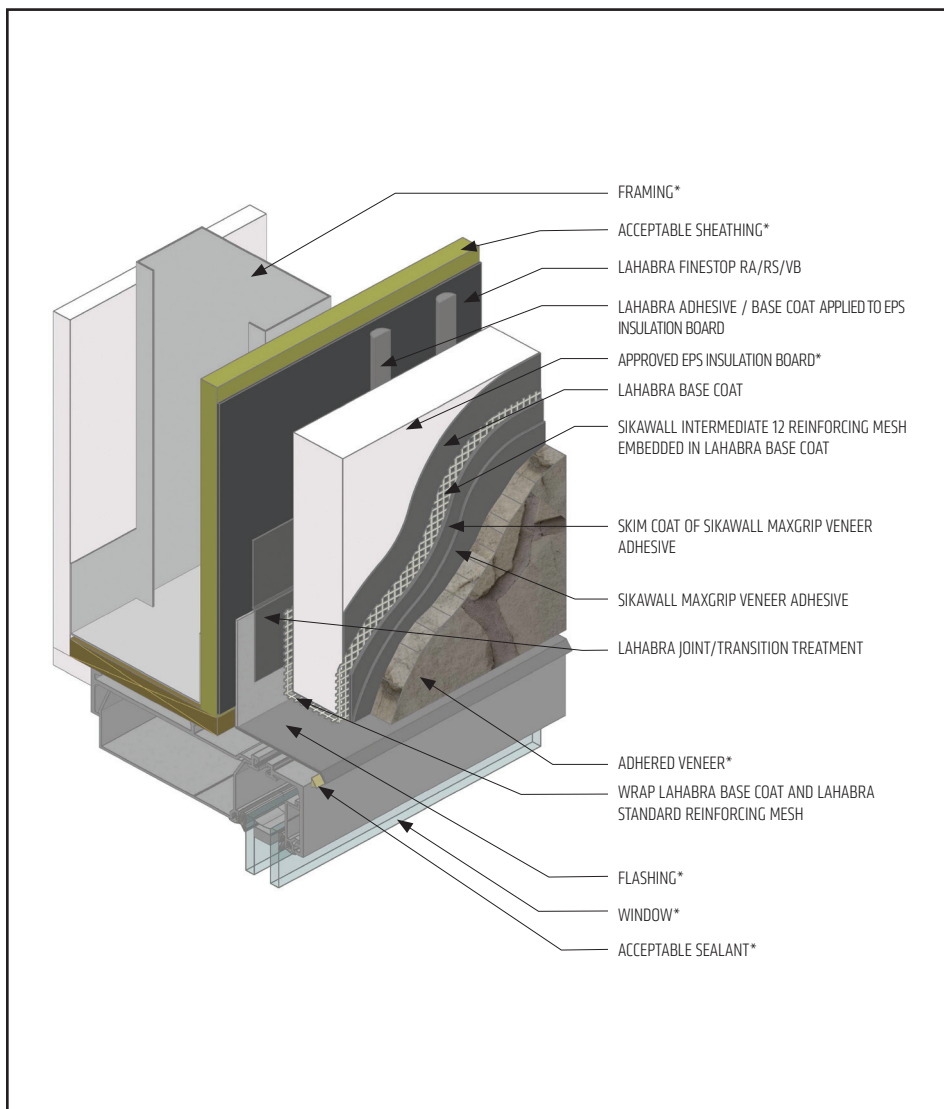
(*NOTE: BY OTHERS)

The details within are the latest recommendations and are represented in good faith by Sika Corporation US (hereinafter Sika). The details are subject to change without notice. Sika accepts no liability for the end use of the details. For conditions not shown, consult Sika for review of specific details.

- Install Sika materials in accordance with current installation instructions.
- Unsatisfactory conditions shall be reported to the General Contractor and corrected before the application of Sika products.

Pebbletex CI-DCA with MaxGrip Veneer Adhesive

TYPICAL WINDOW HEAD (FLUSH)



- All terminations must be fully encapsulated with mesh reinforced base coat.
- Ensure a means for drainage is provided at system terminations at all window, door and PTAC unit heads.
- Provide end-dams at flashing terminations.
- Ensure LaHabra air/water-resistive barrier is properly applied into the rough openings in accordance with application guidelines and code requirements prior to EPS insulation board application.
- LaHabra Joint/Transition Treatment Options: SikaWall MaxFlash, SikaWall Sheathing Fabric embedded in Finestop RA/RS/VB or SikaWall Flash Seal NP

CAM-11 240103

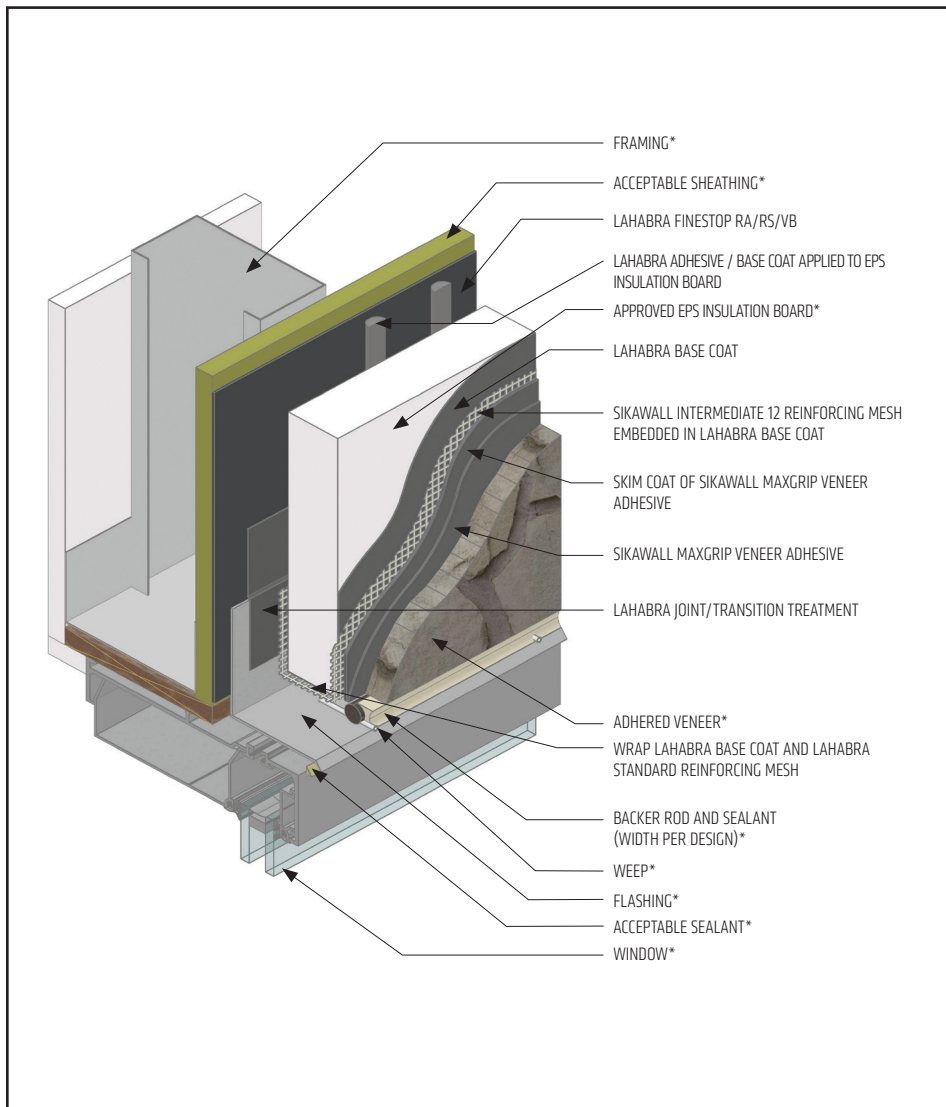
(*NOTE: BY OTHERS)

The details within are the latest recommendations and are represented in good faith by Sika Corporation US (hereinafter Sika). The details are subject to change without notice. Sika accepts no liability for the end use of the details. For conditions not shown, consult Sika for review of specific details.

- Install Sika materials in accordance with current installation instructions.
- Unsatisfactory conditions shall be reported to the General Contractor and corrected before the application of Sika products.

Pebbletex CI-DCA with MaxGrip Veneer Adhesive

TYPICAL WINDOW HEAD (FLUSH) WITH WEEPS



CAM-12 240103

(*NOTE: BY OTHERS)

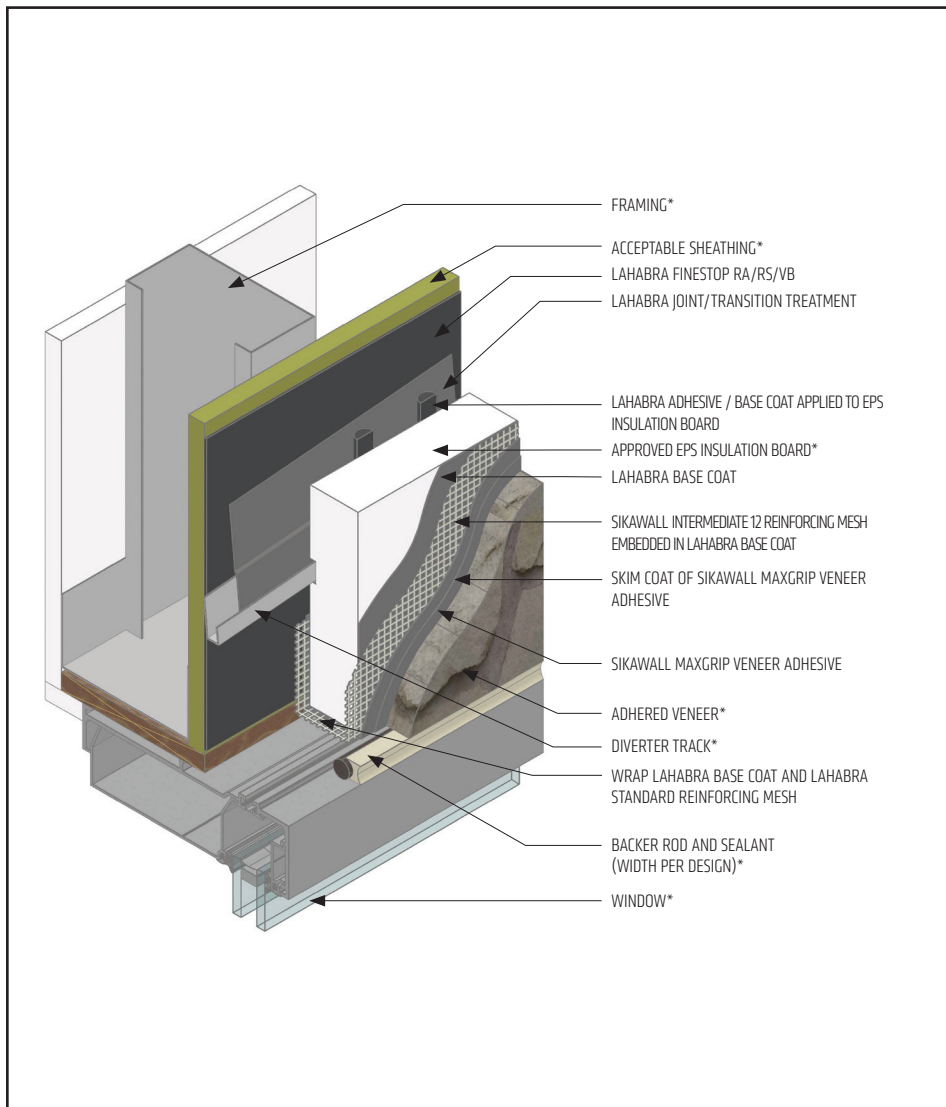
- All terminations must be fully encapsulated with mesh reinforced base coat.
- Ensure a means for drainage is provided at system terminations at all window, door and PTAC unit heads.
- Provide end-dams at flashing terminations.
- Place weeps a minimum of 16" (406 mm) on center.
- Ensure LaHabra air/water-resistive barrier is properly applied into the rough openings in accordance with application guidelines and code requirements prior to EPS insulation board application.
- LaHabra Joint/Transition Treatment Options: SikaWall MaxFlash, SikaWall Sheathing Fabric embedded in Finestop RA/RS/VB or SikaWall Flash Seal NP.

The details within are the latest recommendations and are represented in good faith by Sika Corporation US (hereinafter Sika). The details are subject to change without notice. Sika accepts no liability for the end use of the details. For conditions not shown, consult Sika for review of specific details.

- Install Sika materials in accordance with current installation instructions.
- Unsatisfactory conditions shall be reported to the General Contractor and corrected before the application of Sika products.

Pebbletex CI-DCA with MaxGrip Veneer Adhesive

TYPICAL WINDOW HEAD (FLUSH) WITH DIVERTER TRACK



CAM-13 240103

(*NOTE: BY OTHERS)

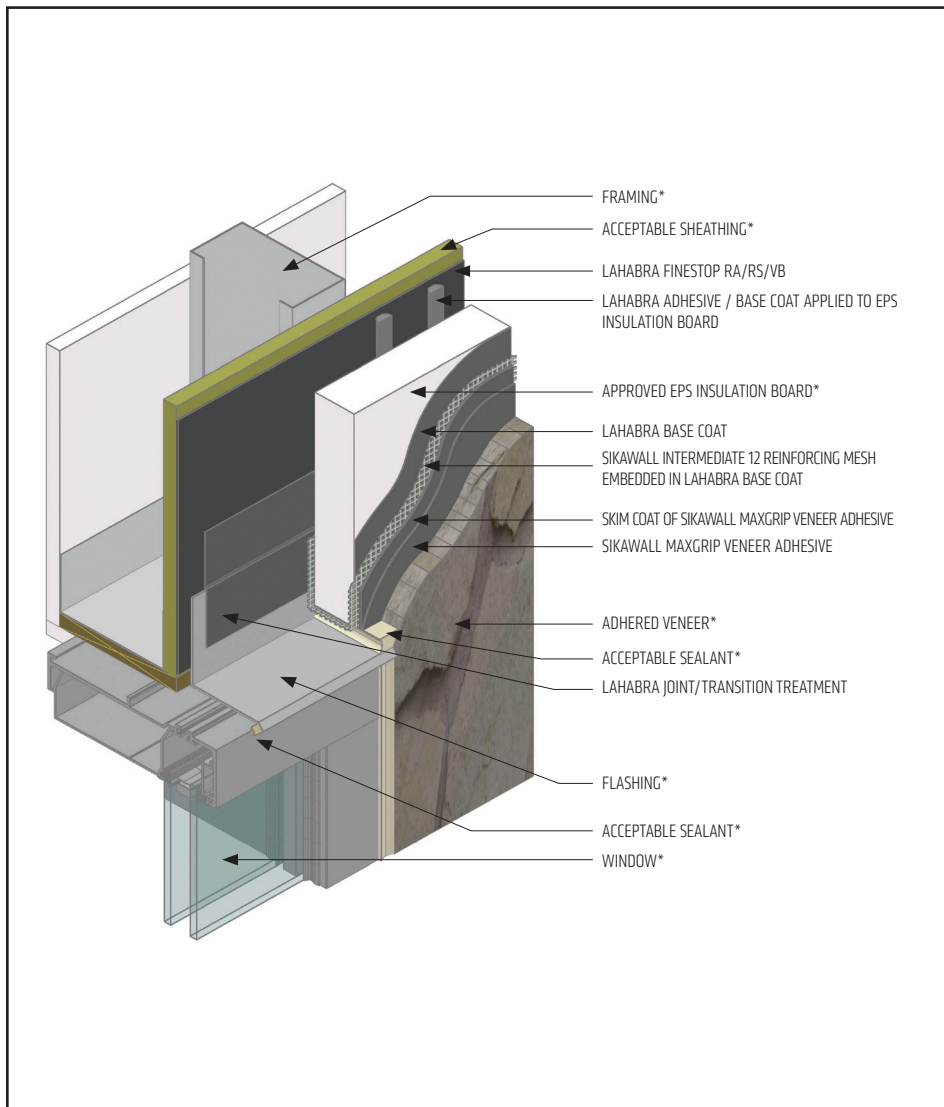
- All terminations must be fully encapsulated with mesh reinforced base coat.
- Diverter Flashing Requirements:
 - Extend diverter flashing 6" (152 mm) beyond opening on either side of the opening to allow potential moisture to drain down the wall to the side of the opening.
 - Ensure the flashing is in one piece and does not exceed 10 ft.
 - Ensure the diverter track flashing is sloped 1-2" to provide a means for drainage.
- Maintain a minimum of 3/4" (19 mm) EPS insulation thickness over diverter track.
- Ensure LaHabra air/water-resistive barrier is properly applied into the rough openings in accordance with application guidelines and code requirements prior to EPS insulation board application.
- LaHabra Joint/Transition Treatment Options: SikaWall MaxFlash, SikaWall Sheathing Fabric embedded in Finestop RA/RS/VB or SikaWall Flash Seal NP.

The details within are the latest recommendations and are represented in good faith by Sika Corporation US (hereinafter Sika). The details are subject to change without notice. Sika accepts no liability for the end use of the details. For conditions not shown, consult Sika for review of specific details.

- Install Sika materials in accordance with current installation instructions.
- Unsatisfactory conditions shall be reported to the General Contractor and corrected before the application of Sika products.

Pebbletex CI-DCA with MaxGrip Veneer Adhesive

TYPICAL WINDOW HEAD WITH SEALANT END DAM



CAM-14 240103

(*NOTE: BY OTHERS)

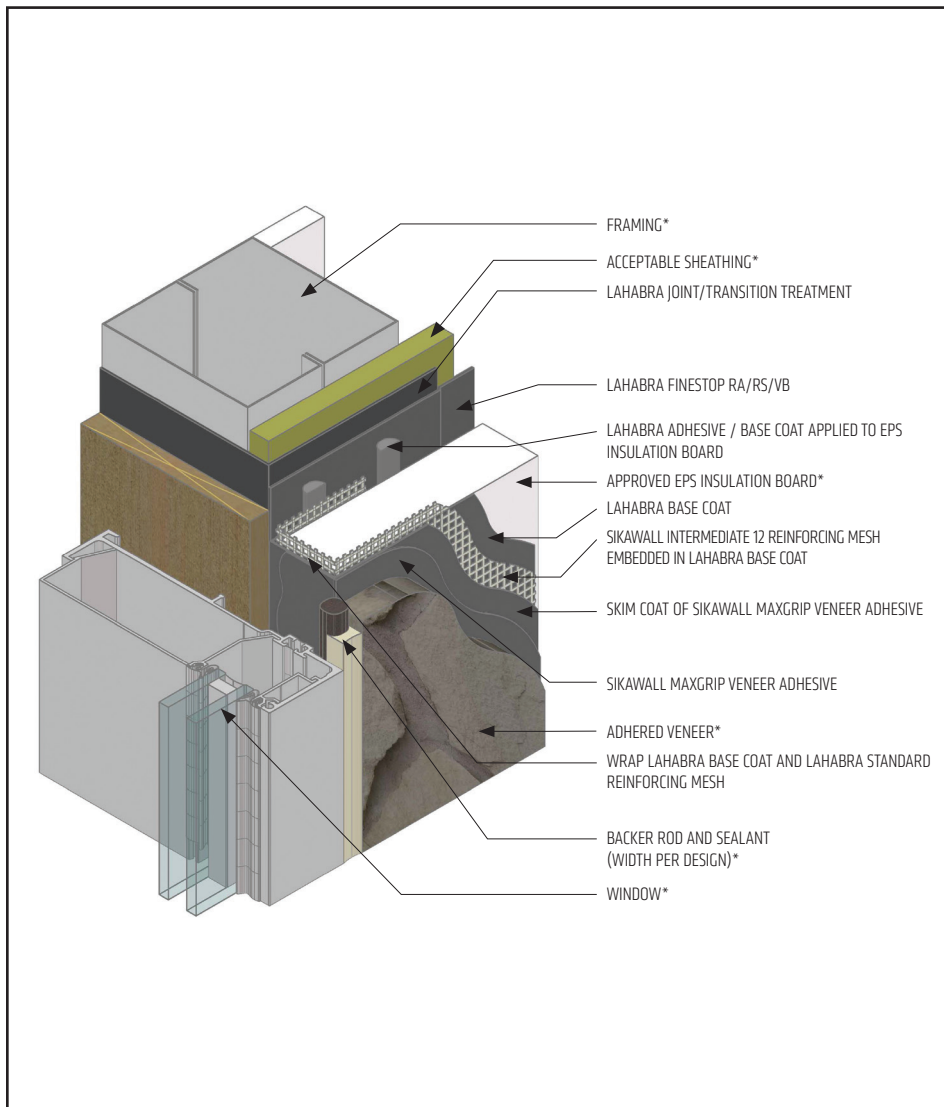
- All terminations must be fully encapsulated with mesh reinforced base coat.
- Ensure a means for drainage is provided at system terminations at all window, door and PTAC unit heads.
- Provide end-dams at flashing terminations.
- EPS insulation boards must be a single piece around corners of openings.
- Ensure LaHabra air/water-resistive barrier is properly applied into the rough openings in accordance with application guidelines and code requirements prior to EPS insulation board application.
- LaHabra Joint/Transition Treatment Options: SikaWall MaxFlash, SikaWall Sheathing Fabric embedded in Finestop RA/RS/VB or SikaWall Flash Seal NP.

The details within are the latest recommendations and are represented in good faith by Sika Corporation US (hereinafter Sika). The details are subject to change without notice. Sika accepts no liability for the end use of the details. For conditions not shown, consult Sika for review of specific details.

- Install Sika materials in accordance with current installation instructions.
- Unsatisfactory conditions shall be reported to the General Contractor and corrected before the application of Sika products.

Pebbletex CI-DCA with MaxGrip Veneer Adhesive

TYPICAL WINDOW JAMB (FLUSH)



- All terminations must be fully encapsulated with mesh reinforced base coat.
- Ensure LaHabra air/water-resistive barrier is properly applied into the rough openings in accordance with application guidelines and code requirements prior to EPS insulation board application.
- Provide a back wrapped joint with backer rod and sealant at system terminations to dissimilar materials, ensuring that a water tight seal is achieved (width per design).
- LaHabra Transition Treatment Options: SikaWall MaxFlash, SikaWall Sheathing Fabric embedded in Finestop RA/RS/VB or SikaWall Flash Seal NP.

CAM-15 240103

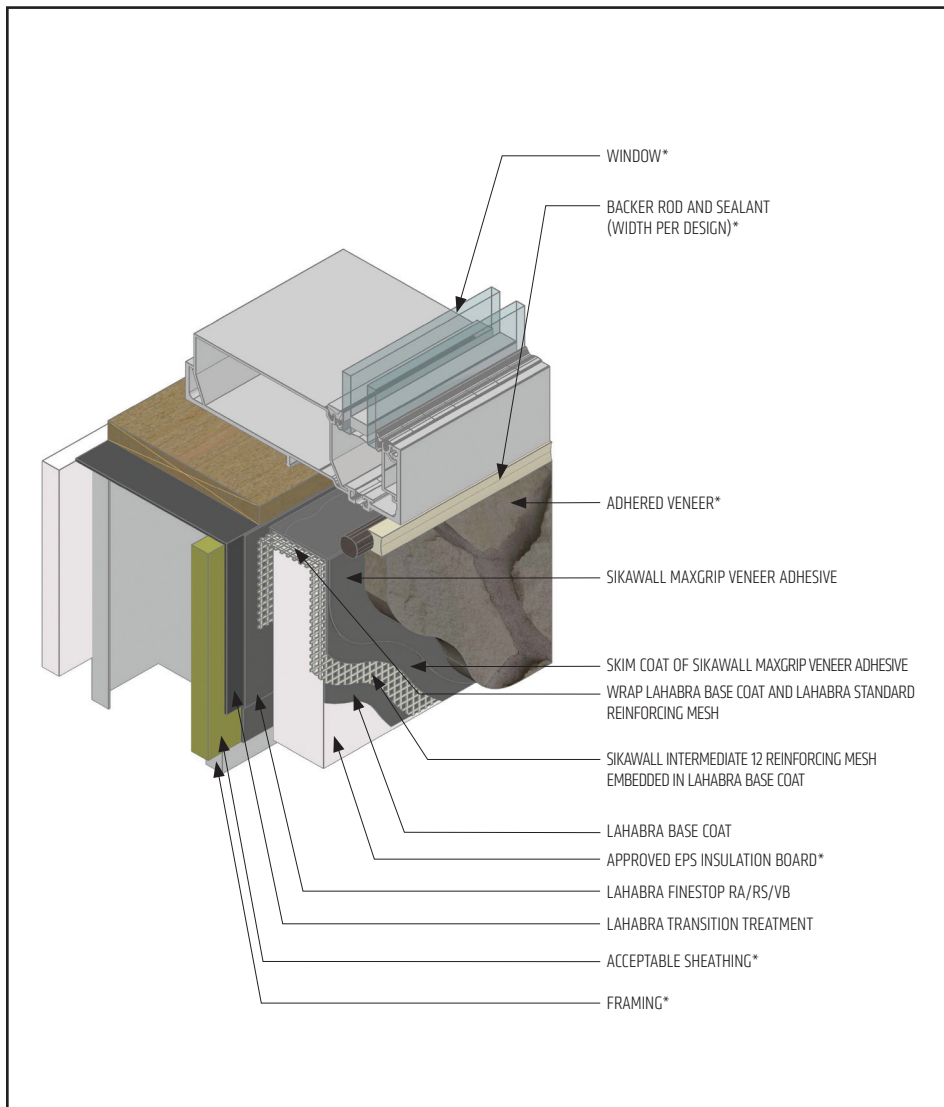
(*NOTE: BY OTHERS)

The details within are the latest recommendations and are represented in good faith by Sika Corporation US (hereinafter Sika). The details are subject to change without notice. Sika accepts no liability for the end use of the details. For conditions not shown, consult Sika for review of specific details.

- Install Sika materials in accordance with current installation instructions.
- Unsatisfactory conditions shall be reported to the General Contractor and corrected before the application of Sika products.

Pebbletex CI-DCA with MaxGrip Veneer Adhesive

TYPICAL WINDOW SILL (FLUSH)



CAM-16 240103

(*NOTE: BY OTHERS)

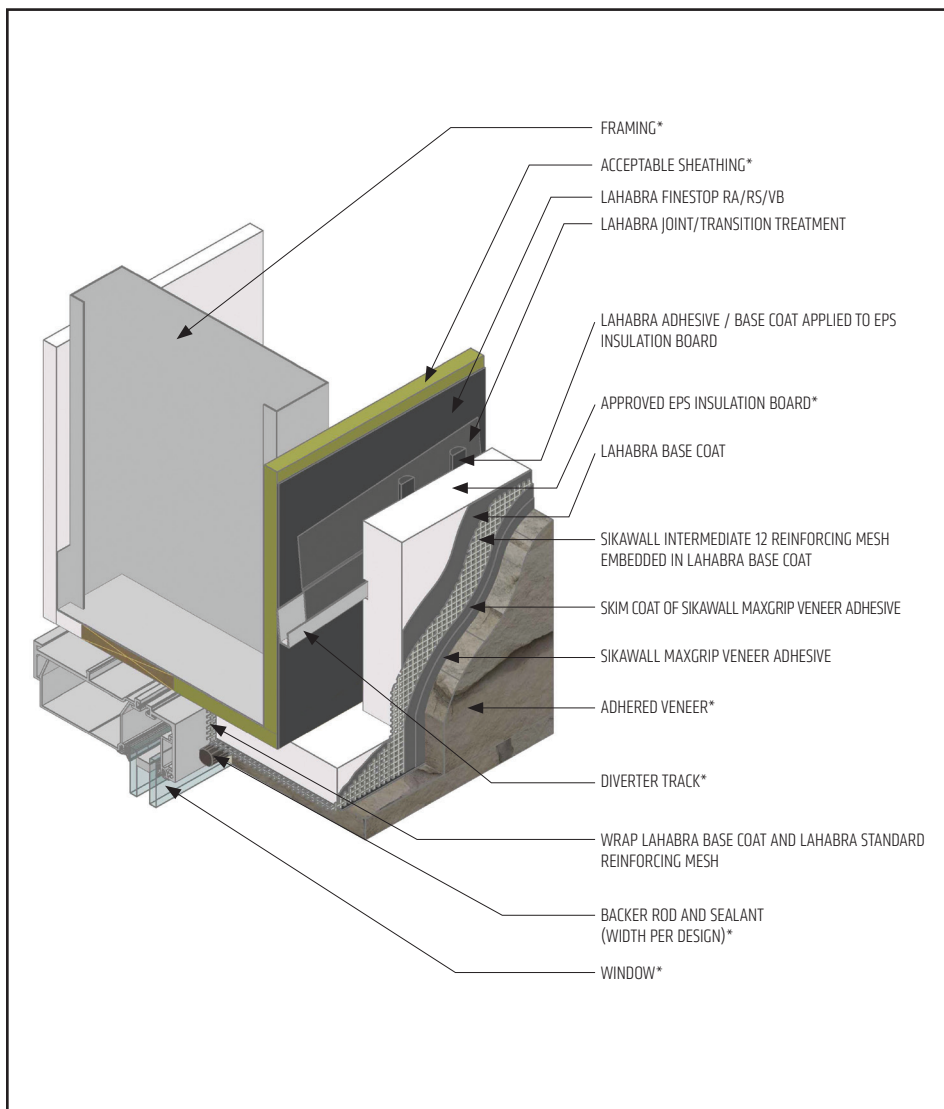
- All terminations must be fully encapsulated with mesh reinforced base coat.
- Ensure LaHabra air/water-resistive barrier is properly applied into the rough openings in accordance with application guidelines and code requirements prior to EPS insulation board application.
- Provide a back wrapped joint with backer rod and sealant at system terminations to dissimilar materials, ensuring that a water tight seal is achieved (width per design).
- LaHabra Transition Treatment Options: SikaWall MaxFlash, SikaWall Sheathing Fabric embedded in Finestop RA/RS/VB or SikaWall Flash Seal NP.

The details within are the latest recommendations and are represented in good faith by Sika Corporation US (hereinafter Sika). The details are subject to change without notice. Sika accepts no liability for the end use of the details. For conditions not shown, consult Sika for review of specific details.

- Install Sika materials in accordance with current installation instructions.
- Unsatisfactory conditions shall be reported to the General Contractor and corrected before the application of Sika products.

Pebbletex CI-DCA with MaxGrip Veneer Adhesive

TYPICAL WINDOW HEAD (RECESSED)



CAM-17 240103

(*NOTE: BY OTHERS)

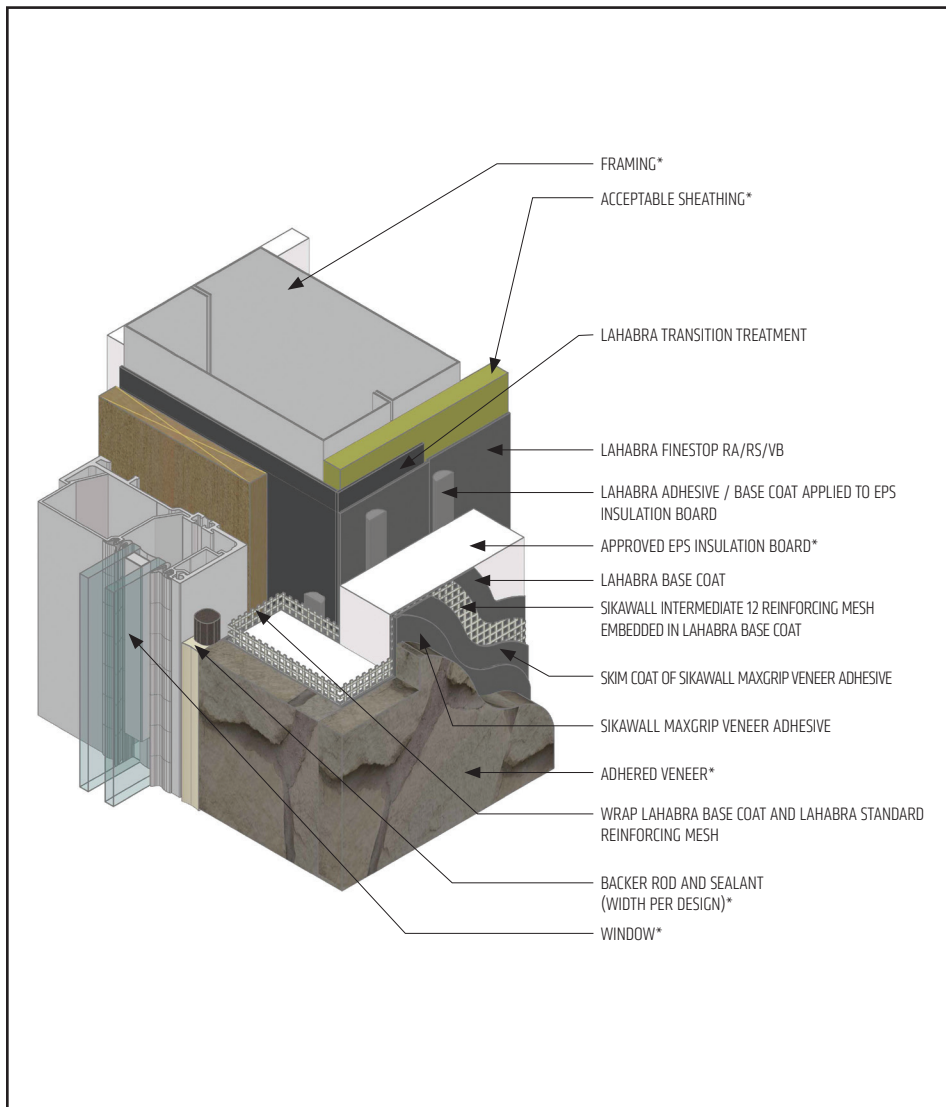
- All terminations must be fully encapsulated with mesh reinforced base coat.
- Provide a back wrapped joint with backer rod and sealant at system terminations to dissimilar materials, ensuring that a water tight seal is achieved (width per design).
- Diverter Flashing Requirements:
 - Extend diverter flashing 6" (152 mm) beyond opening on either side of the opening to allow potential moisture to drain down the wall to the side of the opening.
 - Ensure the flashing is in one piece and does not exceed 10 ft.
 - Ensure the diverter track flashing is sloped 1-2" to provide a means for drainage.
- Maintain a minimum of 3/4" (19 mm) EPS insulation thickness over diverter track.
- SikaWall Intermediate 12 reinforcing mesh is lapped around corners.
- LaHabra Joint/Transition Treatment Options: SikaWall MaxFlash, SikaWall Sheathing Fabric embedded in Finestop RA/RS/VB or SikaWall Flash Seal NP.

The details within are the latest recommendations and are represented in good faith by Sika Corporation US (hereinafter Sika). The details are subject to change without notice. Sika accepts no liability for the end use of the details. For conditions not shown, consult Sika for review of specific details.

- Install Sika materials in accordance with current installation instructions.
- Unsatisfactory conditions shall be reported to the General Contractor and corrected before the application of Sika products.

Pebbletex CI-DCA with MaxGrip Veneer Adhesive

TYPICAL WINDOW JAMB (RECESSED)



CAM-18 240103

(*NOTE: BY OTHERS)

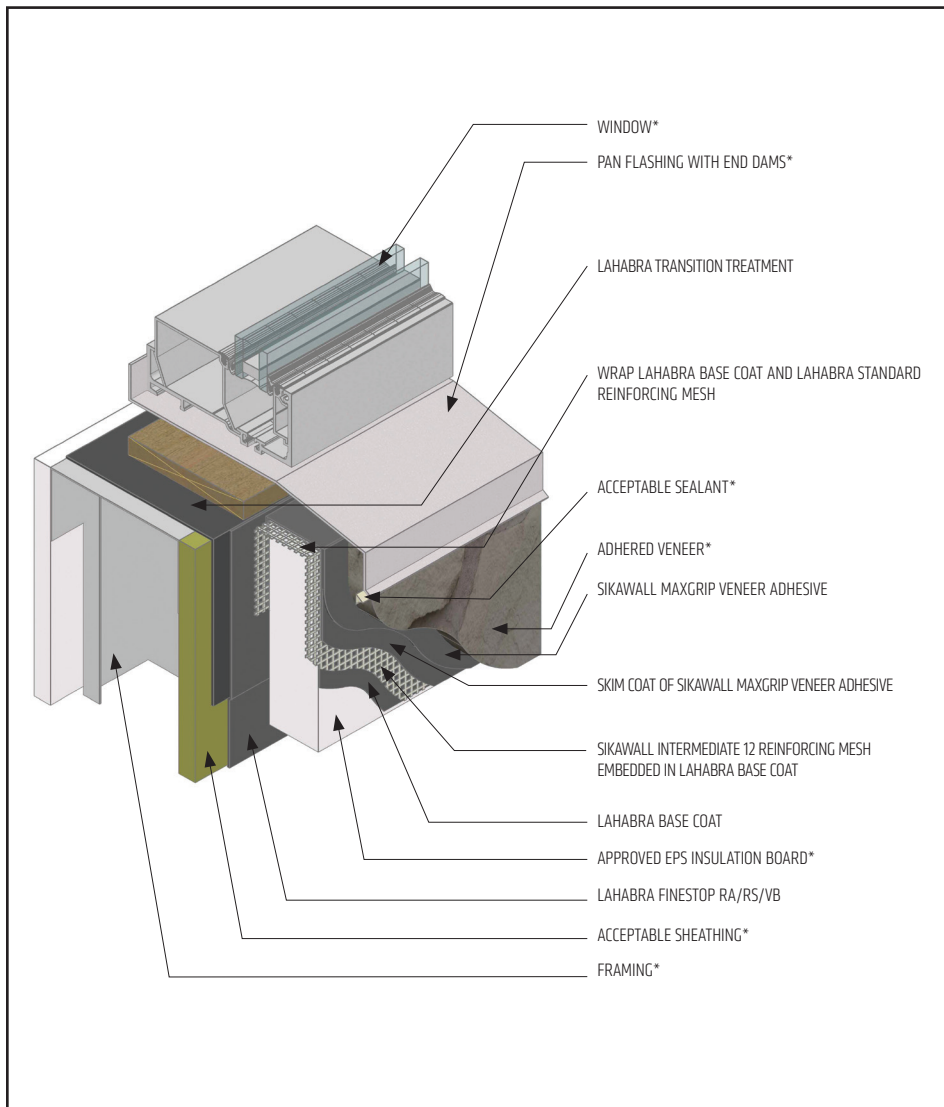
- All terminations must be fully encapsulated with mesh reinforced base coat.
- Ensure LaHabra air/water-resistive barrier is properly applied into the rough openings in accordance with application guidelines and code requirements prior to EPS insulation board application.
- Provide a back wrapped joint with backer rod and sealant at system terminations to dissimilar materials, ensuring that a water tight seal is achieved (width per design).
- SikaWall Intermediate 12 reinforcing mesh is lapped around corners.
- LaHabra Joint/Transition Treatment Options: SikaWall MaxFlash, SikaWall Sheathing Fabric embedded in Finestop RA/RS/VB or SikaWall Flash Seal NP.

The details within are the latest recommendations and are represented in good faith by Sika Corporation US (hereinafter Sika). The details are subject to change without notice. Sika accepts no liability for the end use of the details. For conditions not shown, consult Sika for review of specific details.

- Install Sika materials in accordance with current installation instructions.
- Unsatisfactory conditions shall be reported to the General Contractor and corrected before the application of Sika products.

Pebbletex CI-DCA with MaxGrip Veneer Adhesive

TYPICAL WINDOW SILL (RECESSED)



- All terminations must be fully encapsulated with mesh reinforced base coat.
- Ensure LaHabra air/water-resistive barrier is properly applied into the rough openings in accordance with application guidelines and code requirements prior to EPS insulation board application.
- Ensure that pan flashing extends onto the system a minimum of 2" (50 mm) down the face and that end dams are provided.
- LaHabra Transition Treatment Options: SikaWall MaxFlash, SikaWall Sheathing Fabric embedded in Finestop RA/RS/VB or SikaWall Flash Seal NP.

CAM-19 240103

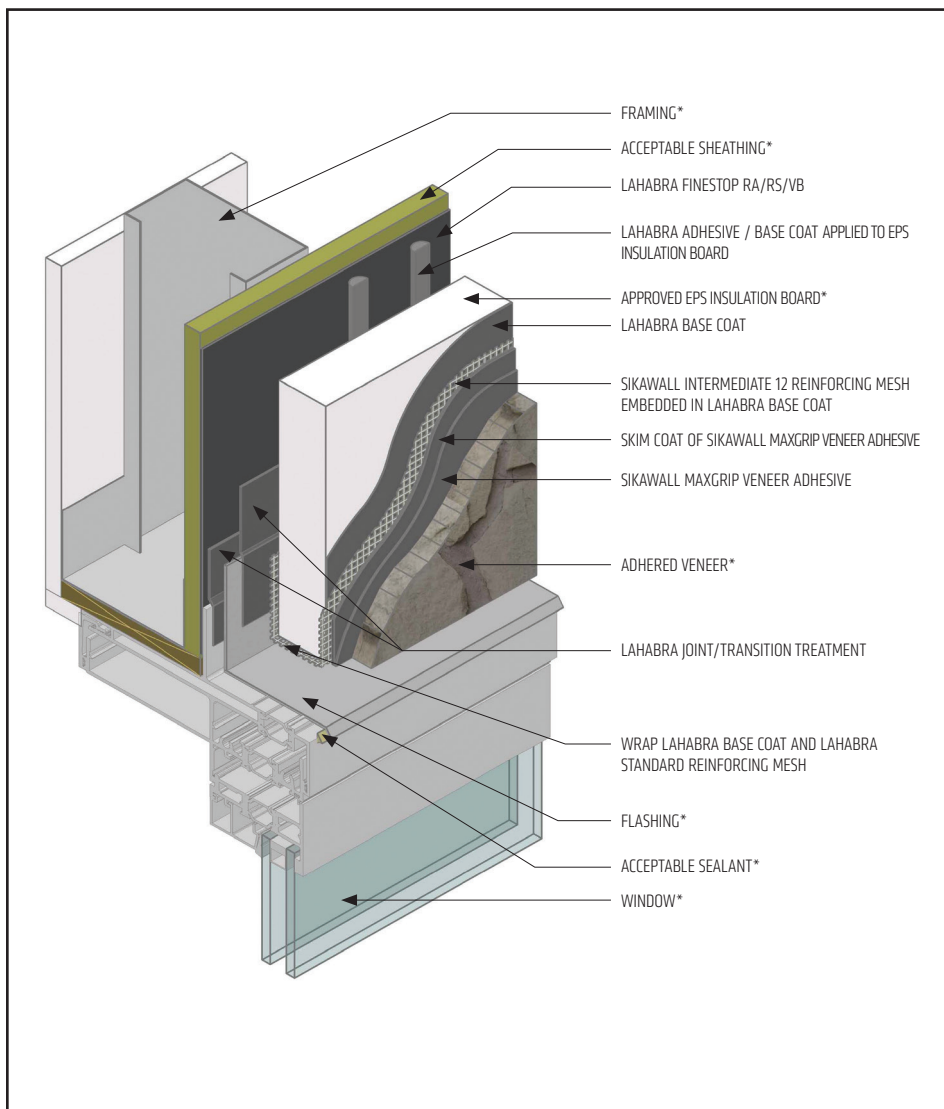
(*NOTE: BY OTHERS)

The details within are the latest recommendations and are represented in good faith by Sika Corporation US (hereinafter Sika). The details are subject to change without notice. Sika accepts no liability for the end use of the details. For conditions not shown, consult Sika for review of specific details.

- Install Sika materials in accordance with current installation instructions.
- Unsatisfactory conditions shall be reported to the General Contractor and corrected before the application of Sika products.

Pebbletex CI-DCA with MaxGrip Veneer Adhesive

TYPICAL FLANGED WINDOW HEAD



- All terminations must be fully encapsulated with mesh reinforced base coat.
- Ensure a means for drainage is provided at system terminations at all window heads.
- Provide end-dams at flashing terminations.
- Ensure LaHabra air/water-resistive barrier is properly applied into the rough openings in accordance with application guidelines and code requirements prior to EPS insulation board application.

CAM-20 240103

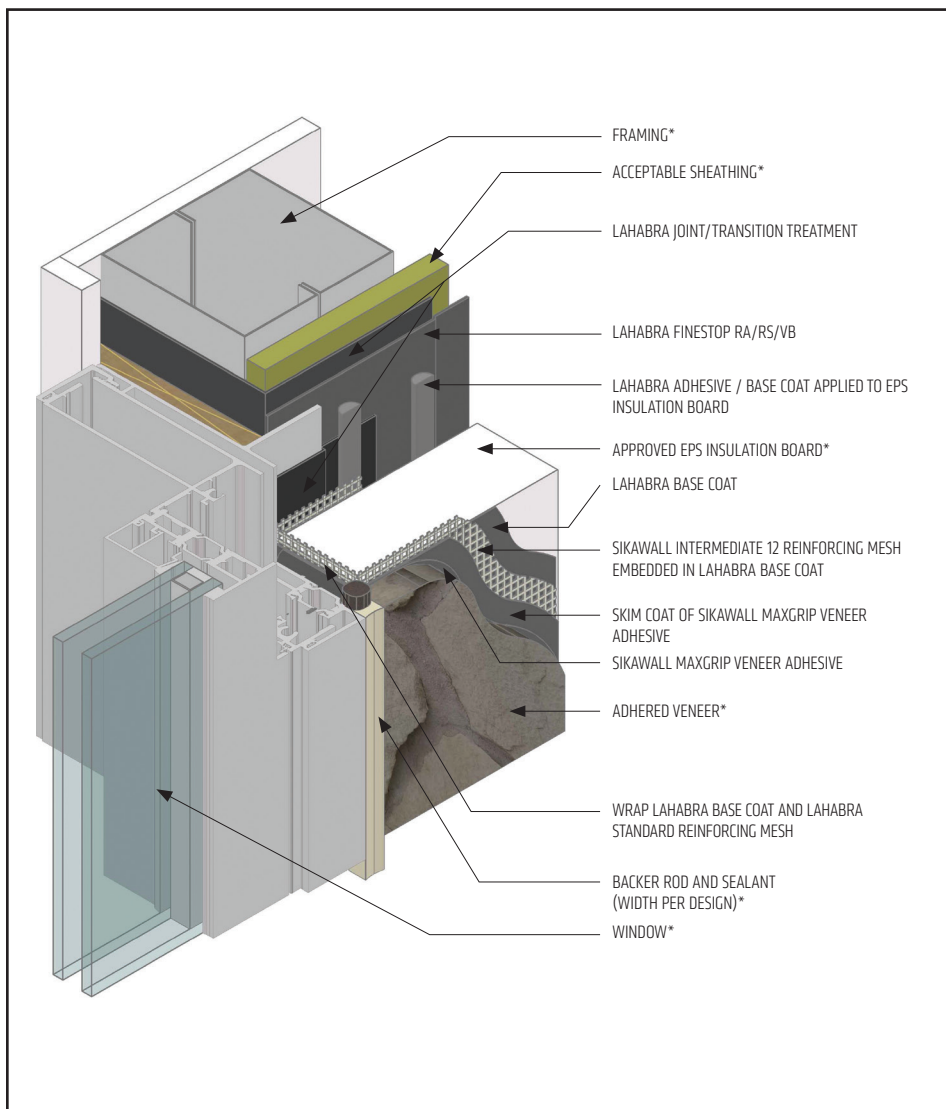
(*NOTE: BY OTHERS)

The details within are the latest recommendations and are represented in good faith by Sika Corporation US (hereinafter Sika). The details are subject to change without notice. Sika accepts no liability for the end use of the details. For conditions not shown, consult Sika for review of specific details.

- Install Sika materials in accordance with current installation instructions.
- Unsatisfactory conditions shall be reported to the General Contractor and corrected before the application of Sika products.

Pebbletex CI-DCA with MaxGrip Veneer Adhesive

TYPICAL FLANGED WINDOW JAMB



- All terminations must be fully encapsulated with mesh reinforced base coat.
- Ensure LaHabra air/water-resistive barrier is properly applied into the rough openings in accordance with application guidelines and code requirements prior to EPS insulation board application.
- Provide a back wrapped joint with backer rod and sealant at system terminations to dissimilar materials, ensuring that a water tight seal is achieved (width per design).
- LaHabra Transition Treatment Options: SikaWall MaxFlash, SikaWall Sheathing Fabric embedded in Finestop RA/RS/VB or SikaWall Flash Seal NP.

CAM-21 240103

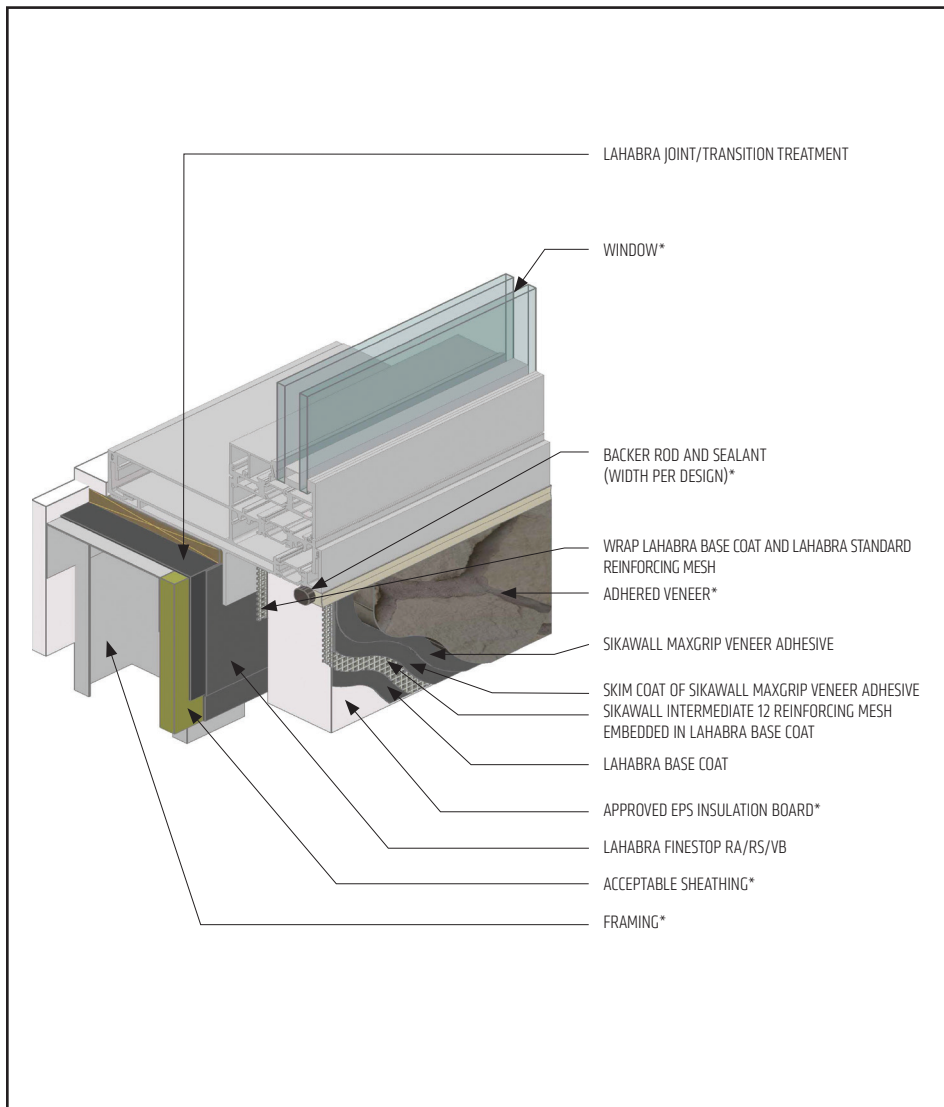
(*NOTE: BY OTHERS)

The details within are the latest recommendations and are represented in good faith by Sika Corporation US (hereinafter Sika). The details are subject to change without notice. Sika accepts no liability for the end use of the details. For conditions not shown, consult Sika for review of specific details.

- Install Sika materials in accordance with current installation instructions.
- Unsatisfactory conditions shall be reported to the General Contractor and corrected before the application of Sika products.

Pebbletex CI-DCA with MaxGrip Veneer Adhesive

TYPICAL FLANGED WINDOW SILL



CAM-22 240103

(*NOTE: BY OTHERS)

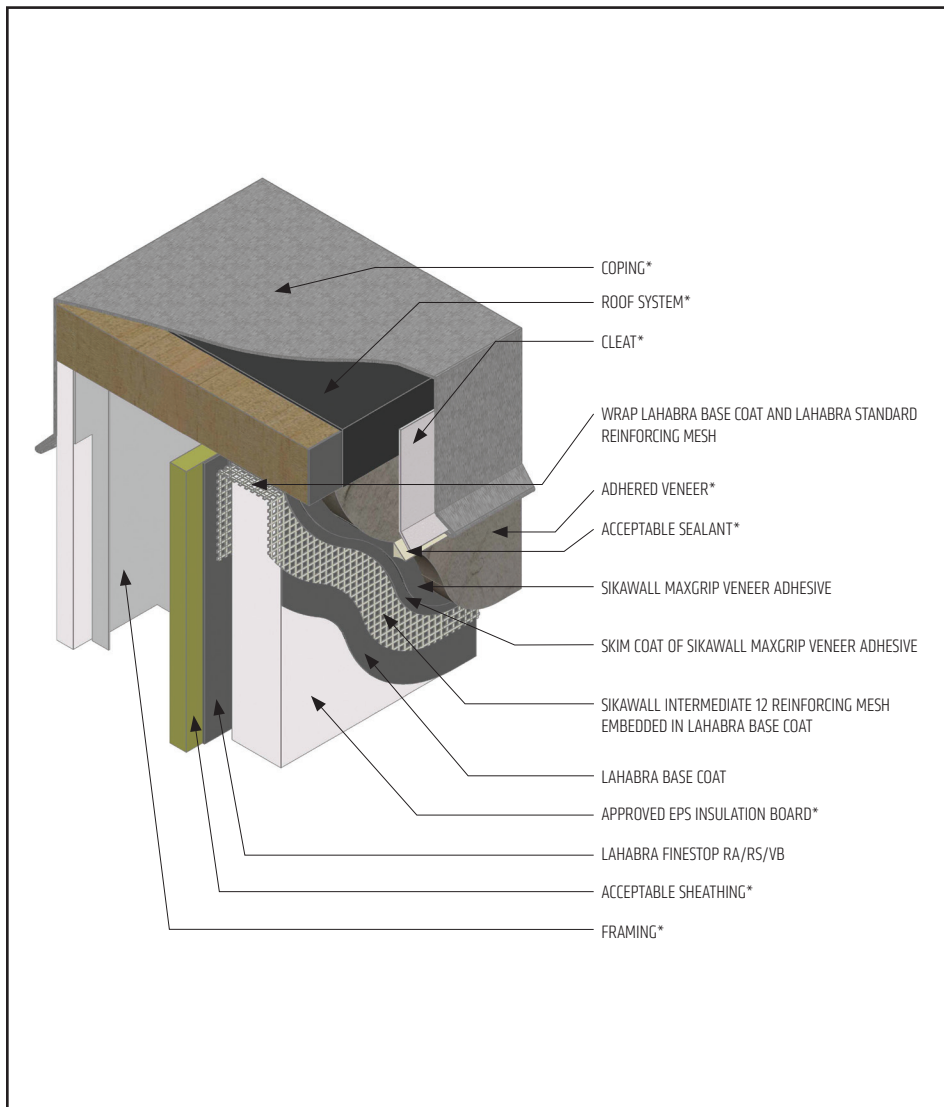
- All terminations must be fully encapsulated with mesh reinforced base coat.
- Ensure LaHabra air/water-resistive barrier is properly applied into the rough openings in accordance with application guidelines and code requirements prior to EPS insulation board application.
- Provide a back wrapped joint with backer rod and sealant at system terminations to dissimilar materials, ensuring that a water tight seal is achieved (width per design).
- Consult window manufacturer for recommendations for treatment of window sill flange.
- LaHabra Transition Treatment Options: SikaWall MaxFlash, SikaWall Sheathing Fabric embedded in Finestop RA/RS/VB or SikaWall Flash Seal NP.

The details within are the latest recommendations and are represented in good faith by Sika Corporation US (hereinafter Sika). The details are subject to change without notice. Sika accepts no liability for the end use of the details. For conditions not shown, consult Sika for review of specific details.

- Install Sika materials in accordance with current installation instructions.
- Unsatisfactory conditions shall be reported to the General Contractor and corrected before the application of Sika products.

Pebbletex CI-DCA with MaxGrip Veneer Adhesive

TYPICAL COPING



- All terminations must be fully encapsulated with mesh reinforced base coat.
- Ensure that coping/ flashing extends over the system a minimum of 2" (50 mm).
- Extend the LaHabra air/water-resistive barrier on to the bottom and face of blocking.
- LaHabra Joint/Transition Treatment Options: SikaWall MaxFlash, SikaWall Sheathing Fabric embedded in Finestop RA/RS/VB or SikaWall Flash Seal NP.

CAM-23 240103

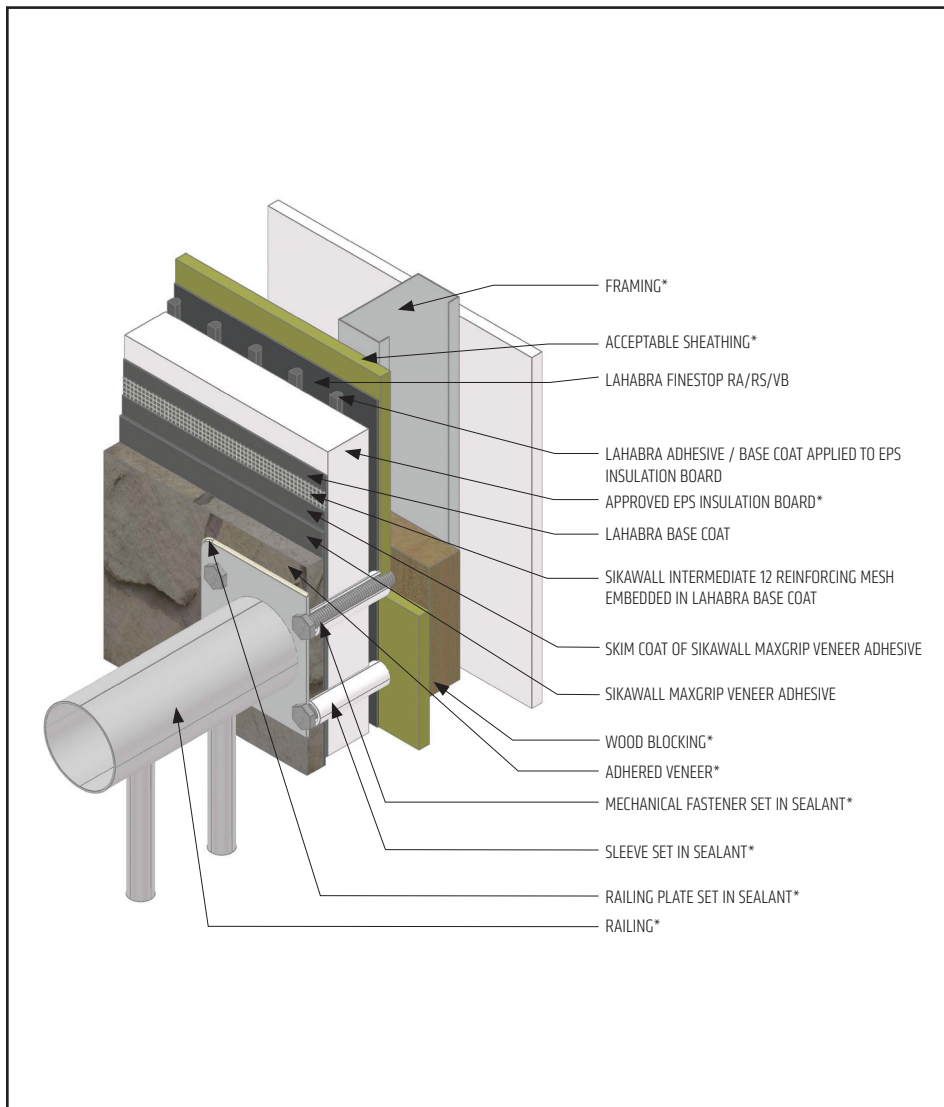
(*NOTE: BY OTHERS)

The details within are the latest recommendations and are represented in good faith by Sika Corporation US (hereinafter Sika). The details are subject to change without notice. Sika accepts no liability for the end use of the details. For conditions not shown, consult Sika for review of specific details.

- Install Sika materials in accordance with current installation instructions.
- Unsatisfactory conditions shall be reported to the General Contractor and corrected before the application of Sika products.

Pebbletex CI-DCA with MaxGrip Veneer Adhesive

TYPICAL RAILING ATTACHMENT



- All terminations must be fully encapsulated with mesh reinforced base coat.
- Ensure all penetrations through the system and railing plate are properly sealed.
- LaHabra Joint/Transition Treatment Options: SikaWall MaxFlash, SikaWall Sheathing Fabric embedded in Finestop RA/RS/VB or SikaWall Flash Seal NP.

CAM-24 240103

(*NOTE: BY OTHERS)

The details within are the latest recommendations and are represented in good faith by Sika Corporation US (hereinafter Sika). The details are subject to change without notice. Sika accepts no liability for the end use of the details. For conditions not shown, consult Sika for review of specific details.

- Install Sika materials in accordance with current installation instructions.
- Unsatisfactory conditions shall be reported to the General Contractor and corrected before the application of Sika products.

LIMITED WARRANTY NOTICE

Prior to each use of any product of Sika Corporation, its subsidiaries or affiliates ("SIKA"), the user must always read and follow the warnings and instructions on the product's most current product label, Product Data Sheet and Safety Data Sheet which are available at usa.sika.com/lahabra or by calling our Technical Service Department at +1 (800) 589-1336.

Nothing contained in any SIKA literature or materials relieves the user of the obligation to read and follow the warnings and instructions for each SIKA product as set forth in the current product label, Product Data Sheet and Safety Data Sheet prior to use of the SIKA product.

SIKA warrants this product for one year from date of installation to be free from manufacturing defects and to meet the technical properties on the current Product Data Sheet if used as directed within the product's shelf life. User determines suitability of product for intended use and assumes all risks. User's and/or buyer's sole remedy shall be limited to the purchase price or replacement of this product exclusive of any labor costs. NO OTHER WARRANTIES EXPRESS OR IMPLIED SHALL APPLY INCLUDING ANY WARRANTY OF MERCHANTABILITY OR FITNESS FOR A PARTICULAR PURPOSE. SIKA SHALL NOT BE LIABLE UNDER ANY LEGAL THEORY FOR SPECIAL OR CONSEQUENTIAL DAMAGES. SIKA SHALL NOT BE RESPONSIBLE FOR THE USE OF THIS PRODUCT IN A MANNER TO INFRINGE ON ANY PATENT OR ANY OTHER INTELLECTUAL PROPERTY RIGHTS HELD BY OTHERS. Sale of SIKA products are subject to the Terms and Conditions of Sale which are available at usa.sika.com.

For the most current version of this literature, please visit our website at usa.sika.com/lahabra.

Sika Corporation
201 Polito Avenue
Lyndhurst, NJ 07071 USA
Customer Service +1 (800) 433-9517
Technical Service +1 (800) 589-1336
usa.sika.com/lahabra
Rev June 2024

BUILDING TRUST

