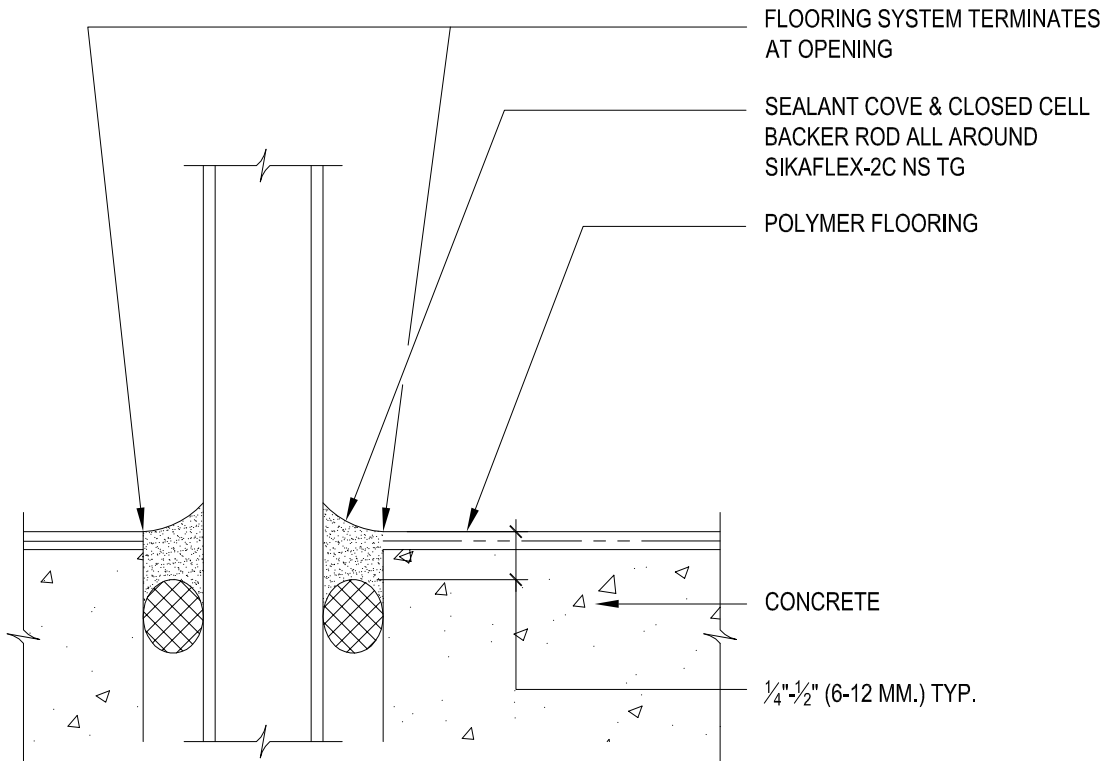


POLYMER FLOORS



**Sika Corporation**  
201 Polito Ave.

Lyndhurst, NJ 07071

PH: 800-933-7452

Fax: 201-933-6225

www.Sikafloorusa.com

Title

PIPE/DUCT DETAIL (TYP)

N.T.S.

Date

April 9, 2013

Scale

As Noted

Dwg. No.

F - 7

Project

As a manufacturer, Sika Corporation ("Sika") provides this generic detail as a guide for information purposes only. This detail guide is not intended to replace sound engineering and architectural practices and should not be relied upon for that purpose. **SIKA MAKES NO WARRANTY OF ANY KIND, EITHER EXPRESS OR IMPLIED, AS TO THE ACCURACY, COMPLETENESS OR THE CONTENTS OF THIS DETAIL GUIDE.** Sika assumes no liability with respect to provision or use of this detail, nor shall any legal relationship be created by, or arise from, the provision of such detail. The specifier, architect, consultant and/or engineer or design professional for a particular project bears the sole responsibility for the preparation and approval of the specifications and for determining their suitability for a particular project or application. **SIKA SHALL NOT BE RESPONSIBLE UNDER ANY LEGAL THEORY TO ANY THIRD PARTY FOR ANY DIRECT OR CONSEQUENTIAL DAMAGES OF ANY KIND ARISING FROM THE USE OF THIS DETAIL GUIDE.**