

Senergy[®]



Channeled AdhesiveCI Design

A Systems Approach
to the Building Enclosure

Typical Details

BUILDING TRUST



Channeled Adhesive CI Design Details

Typical Details

Table of Contents

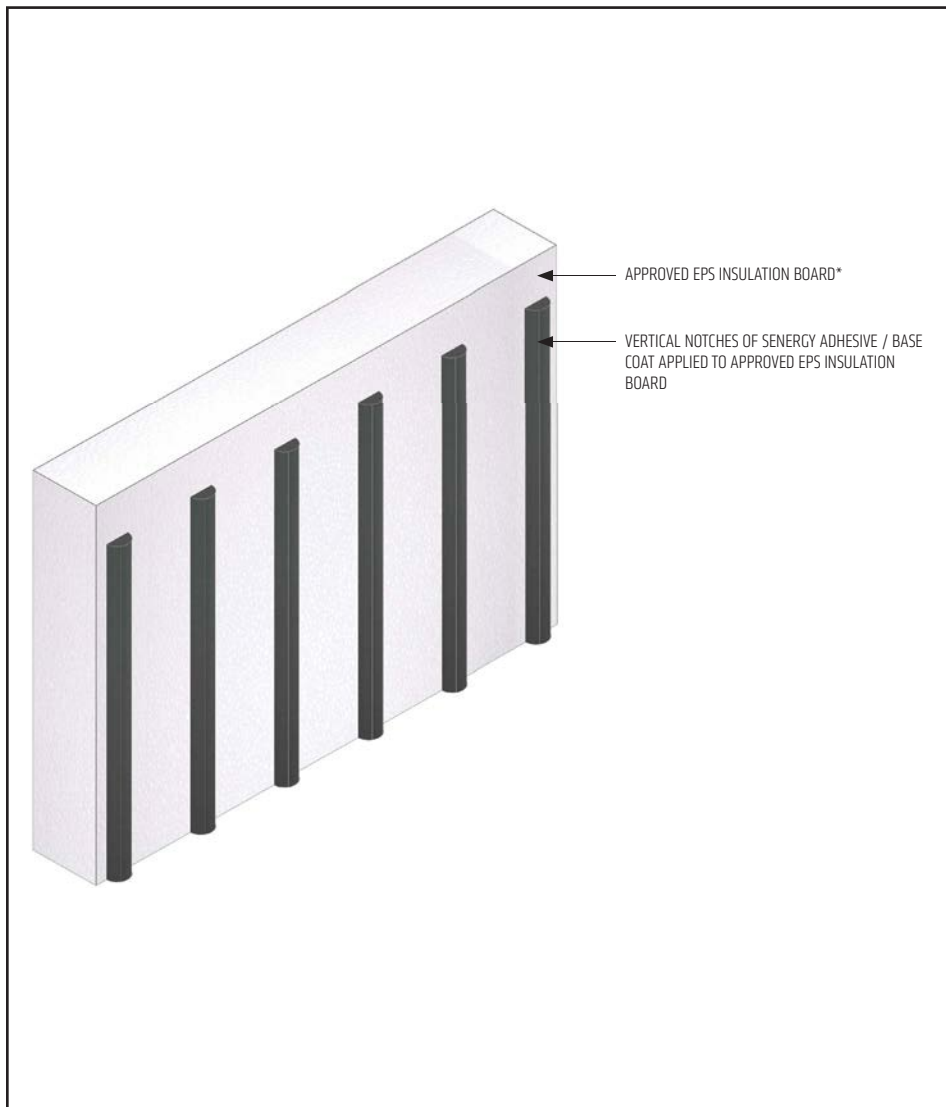
1. Channeled Adhesive Pattern
2. Application over Framing
3. Application over CMU
4. Application over Brick
5. Application with High Impact Reinforcing Mesh
6. Corner Mesh Application With Flexguard 4, Intermediate 6 or 12
7. Aesthetic Reveal
8. Decorative Shape Application
9. Expansion Joint
10. Expansion Joint at Change In Substrate
11. Expansion Joint at Floorline
12. Drainage at Floorline
13. Abutment To Brick With Flashing
14. Typical Abutment To Brick With Continuous Drainage Plane
15. Termination at Foundation
16. Termination at Foundation (Flush)
17. Termination at Balcony Deck
18. Window Head (Flush)
19. Window Head with Weep Tubes (Flush)
20. Window Head with Diverter Track (Flush)
21. Window Head with Sealant End Dam
22. Window Jamb (Flush)
23. Window Sill (Flush)
24. Window Head (Recessed)
25. Window Jamb (Recessed)
26. Window Sill (Recessed)
27. Flanged Window Head
28. Flanged Window Jamb
29. Flanged Window Sill
30. Fascia to Direct Applied Soffit
31. Fascia to Insulated Soffit
32. Pipe Penetration
33. Light Fixture
34. Core Mounted Railing Attachment
35. Raining Attachment
36. Sign Attachment
37. Coping
38. EPS Parapet Cap
39. Termination to Flat Roof
40. Kick-Out Flashing at Sloped Roof
41. Roof Edge Flashing

Notes:

- **The details within are latest recommendations and are represent in good faith by Sika Corporation US (hereinafter Sika). The details are subject to change without notice. Sika accepts no liability for the end use of the details. For conditions not shown, consult Sika for review of specific details.**
- **Install Sika materials in accordance with current installation instructions.**
- **Unsatisfactory conditions shall be reported to the General Contractor and corrected before the application of Sika products.**

Channeled Adhesive CI Design

TYPICAL CHANNELED ADHESIVE PATTERN



CAD-01 2401

(*NOTE: BY OTHERS)

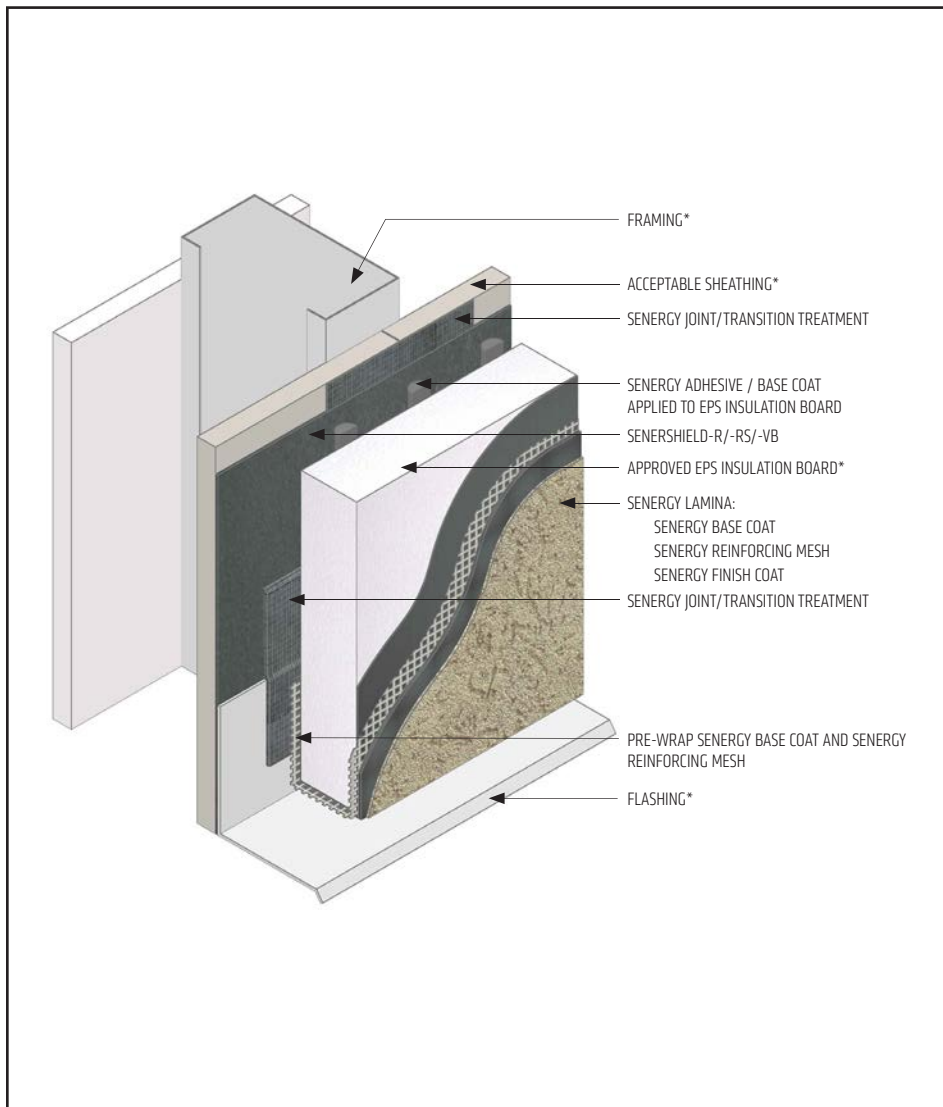
- Apply mixed Senergy Adhesive/Base Coat to entire surface of insulation board using a stainless steel trowel with 1/2" x 1/2" (13 mm x 13 mm) notches spaced 2" (50 mm) apart. Ribbons of adhesive must be applied parallel to the 2' (610 mm) dimension of the EPS insulation board to ensure they are vertical when the EPS insulation board is applied to the substrate.
- Set EPS insulation board into place and apply pressure over entire surface of board to ensure positive uniform contact and high initial grab. Do not slide board into place.

The details within are latest recommendations and are represent in good faith by Sika Corporation US (hereinafter Sika). The details are subject to change without notice. Sika accepts no liability for the end use of the details. For conditions not shown, consult Sika for review of specific details.

- Install Sika materials in accordance with current installation instructions.
- Unsatisfactory conditions shall be reported to the General Contractor and corrected before the application of Sika products.

Channeled Adhesive CI Design

TYPICAL APPLICATION OVER FRAMING



- All terminations must be fully encapsulated with mesh reinforced base coat. Pre-backwrapping is recommended at drainage terminations. Extend reinforcing mesh a minimum of 2 1/2" onto back of insulation board.
- Ensure a means for drainage is provided at system termination.
- Senergy Joint/Transition Treatment Options: SikaWall MaxFlash, SikaWall Sheathing Fabric embedded in Senersshield-R/-RS/-VB or SikaWall Flash Seal NP.

CAD-02 2401

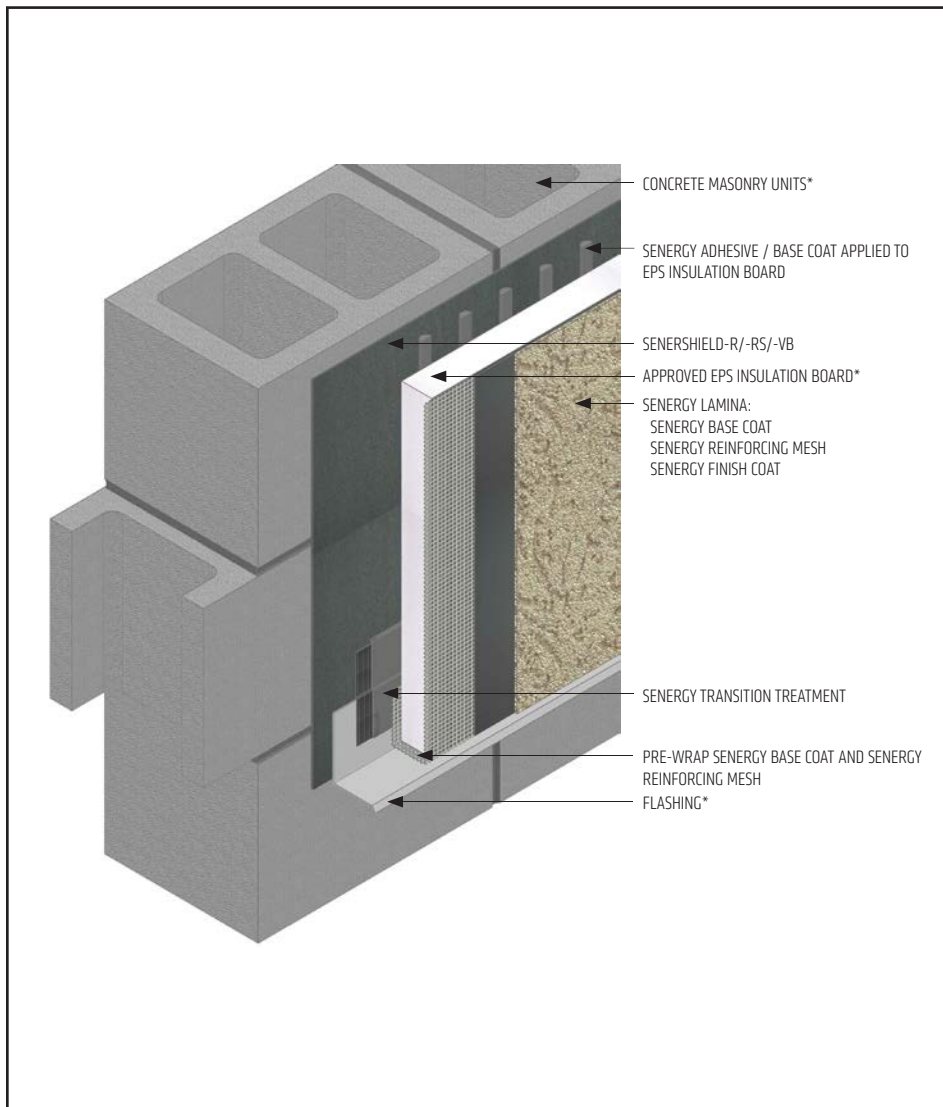
(*NOTE: BY OTHERS)

The details within are latest recommendations and are represent in good faith by Sika Corporation US (hereinafter Sika). The details are subject to change without notice. Sika accepts no liability for the end use of the details. For conditions not shown, consult Sika for review of specific details.

- Install Sika materials in accordance with current installation instructions.
- Unsatisfactory conditions shall be reported to the General Contractor and corrected before the application of Sika products.

Channeled Adhesive CI Design

TYPICAL APPLICATION OVER CMU



CAD-03 2401

(*NOTE: BY OTHERS)

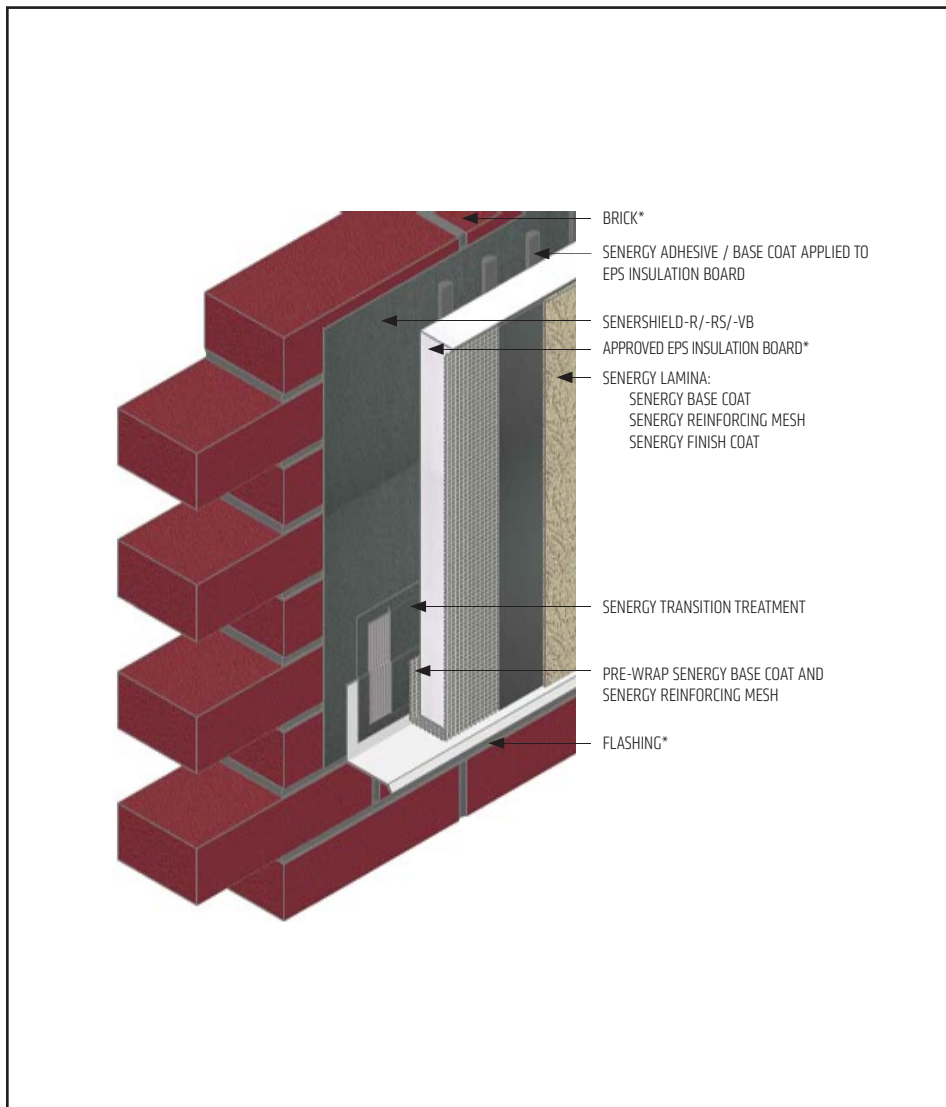
- All terminations must be fully encapsulated with mesh reinforced base coat. Pre-backwrapping is recommended at drainage terminations. Extend reinforcing mesh a minimum of 2 1/2" onto back of insulation board.
- Ensure a means for drainage is provided at system termination.
- Senergy Transition Treatment Options: SikaWall MaxFlash, SikaWall Sheathing Fabric embedded in Senershield-R/-RS/-VB or SikaWall Flash Seal NP.

The details within are latest recommendations and are represent in good faith by Sika Corporation US (hereinafter Sika). The details are subject to change without notice. Sika accepts no liability for the end use of the details. For conditions not shown, consult Sika for review of specific details.

- Install Sika materials in accordance with current installation instructions.
- Unsatisfactory conditions shall be reported to the General Contractor and corrected before the application of Sika products.

Channeled Adhesive CI Design

TYPICAL APPLICATION OVER BRICK



CAD-04 2401

(*NOTE: BY OTHERS)

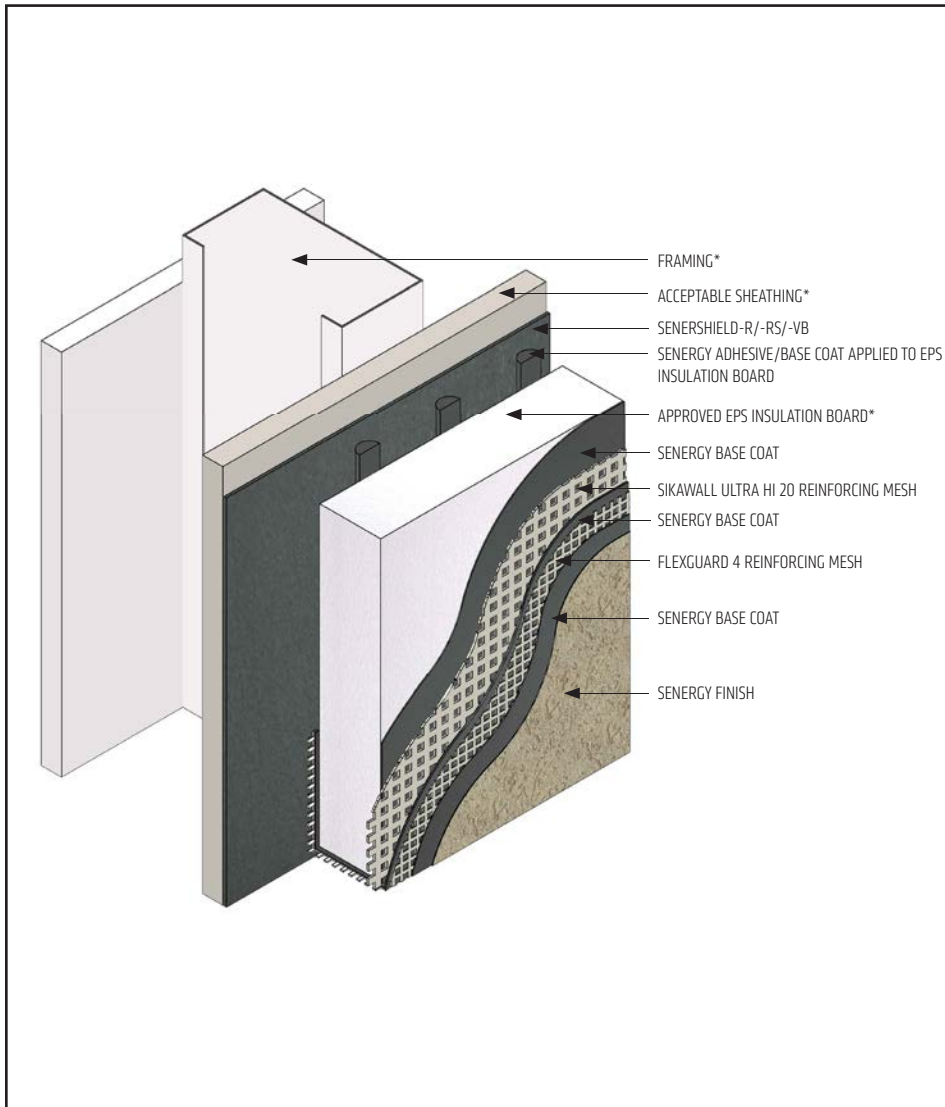
- All terminations must be fully encapsulated with mesh reinforced base coat. Pre-backwrapping is recommended at drainage terminations. Extend reinforcing mesh a minimum of 2 1/2" onto back of insulation board.
- Ensure a means for drainage is provided at system termination.
- Senergy Transition Treatment Options: SikaWall MaxFlash, SikaWall Sheathing Fabric embedded in Senershield-R/-RS/-VB or SikaWall Flash Seal NP.

The details within are latest recommendations and are represent in good faith by Sika Corporation US (hereinafter Sika). The details are subject to change without notice. Sika accepts no liability for the end use of the details. For conditions not shown, consult Sika for review of specific details.

- Install Sika materials in accordance with current installation instructions.
- Unsatisfactory conditions shall be reported to the General Contractor and corrected before the application of Sika products.

Channeled Adhesive CI Design

TYPICAL APPLICATION WITH HIGH IMPACT REINFORCING MESH



- Use of SikaWall Ultra HI 20 reinforcing mesh is recommend at the ground floor in high traffic areas and in areas exposed to potential for high impact.
- Butt SikaWall Ultra HI 20 reinforcing mesh at all adjoining edges including corners, do not use to backwrap or bend around corners.
- All terminations must be fully encapsulated with mesh reinforced base coat.
- SikaWall Ultra HI 20 and Flexguard 4 reinforcing mesh are embedded in two separate layers of base coat. Allow the first base coat layer with Ultra HI 20 Reinforcing Mesh to dry prior to application of the second base coat layer with Flexguard 4 Reinforcing Mesh.

CAD-05 2401

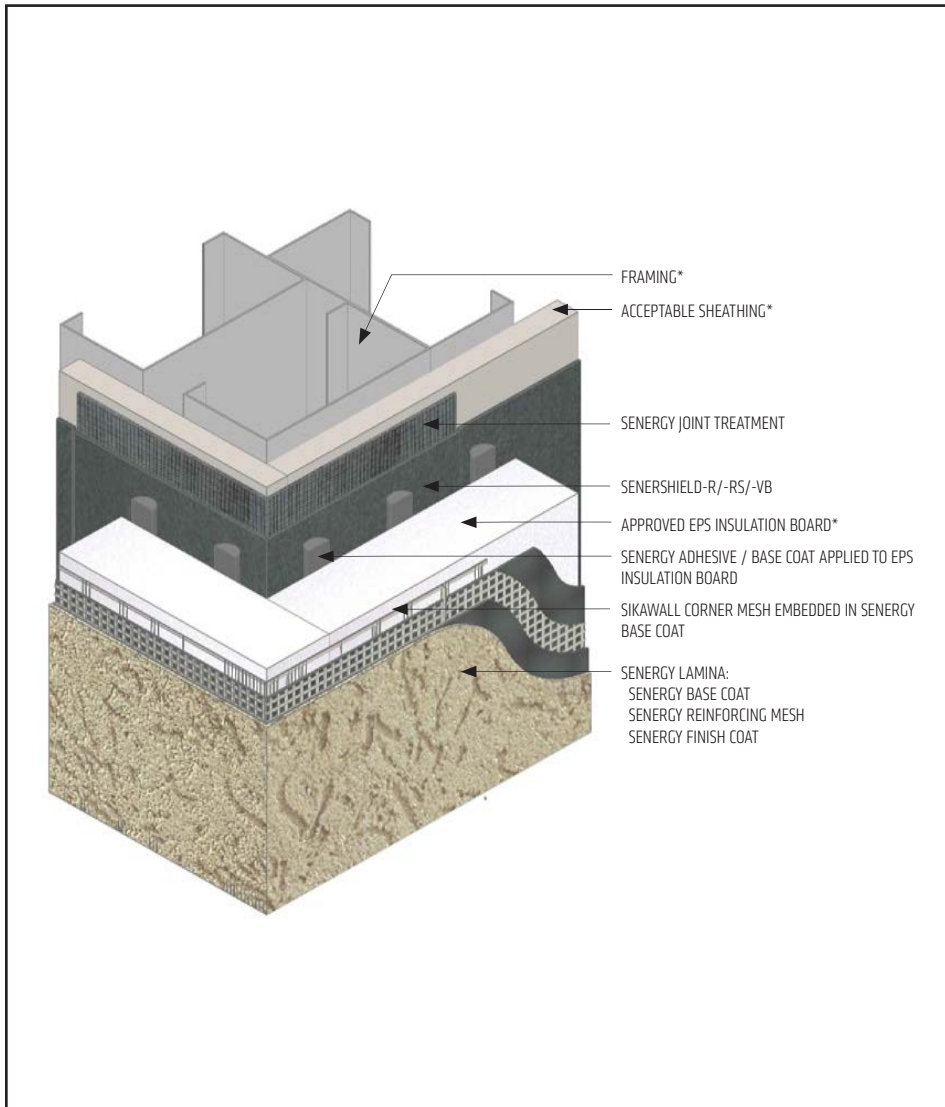
(*NOTE: BY OTHERS)

The details within are latest recommendations and are represent in good faith by Sika Corporation US (hereinafter Sika). The details are subject to change without notice. Sika accepts no liability for the end use of the details. For conditions not shown, consult Sika for review of specific details.

- Install Sika materials in accordance with current installation instructions.
- Unsatisfactory conditions shall be reported to the General Contractor and corrected before the application of Sika products.

Channeled Adhesive CI Design

TYPICAL CORNER MESH APPLICATION WITH FLEXGUARD 4, INTERMEDIATE 6 OR 12



- Ensure Flexguard 4, SikaWall Intermediate 6 or SikaWall Intermediate 12 Reinforcing Mesh is lapped a minimum of 8" (203 mm) around corners.
- SikaWall Corner Mesh on outside corner can be replaced, with Flexguard 4, SikaWall Intermediate 6 or SikaWall Intermediate 12, extended a minimum of 8" (203 mm) around corner from both sides (creating double layer of mesh at corner).
- Senergy Joint Treatment Options: SikaWall MaxFlash, SikaWall Sheathing Fabric embedded in Senersshield-R/-RS/-VB or SikaWall Flash Seal NP.

CAD-06 2401

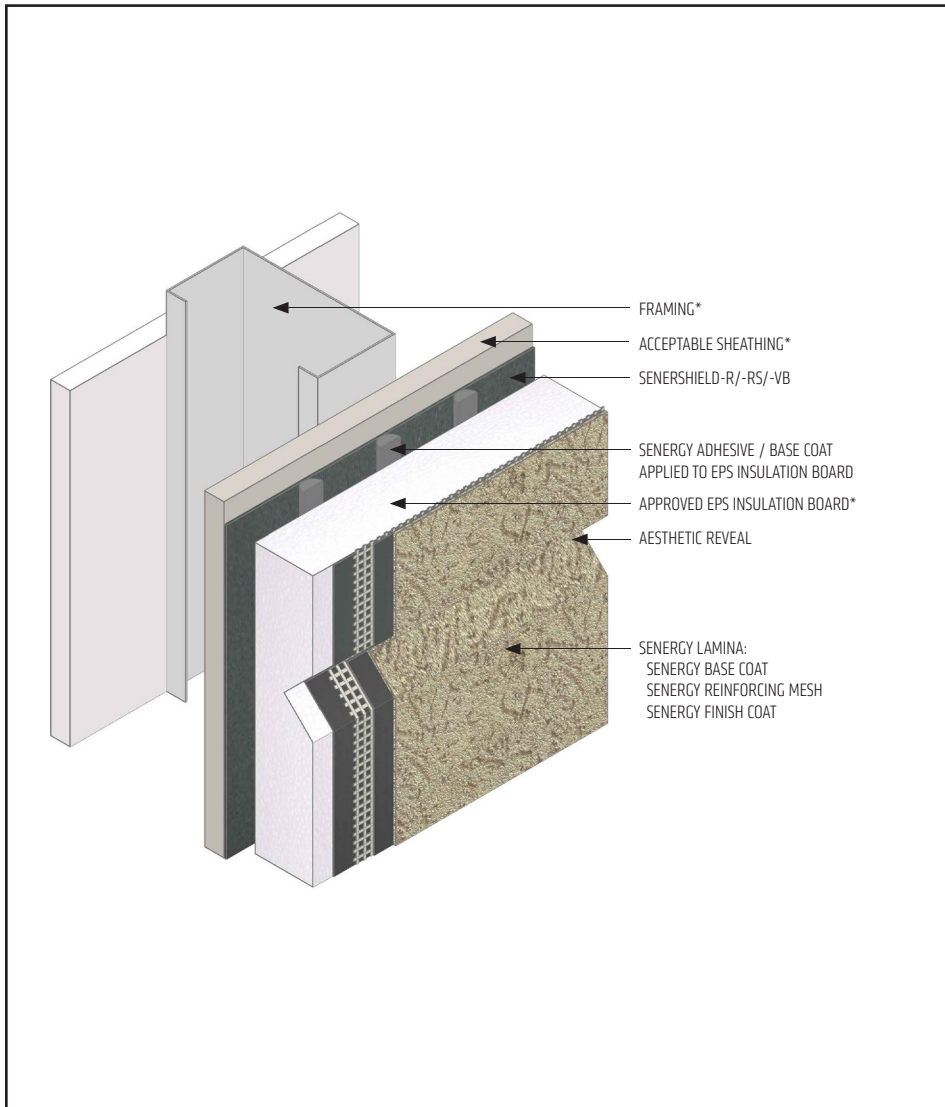
(*NOTE: BY OTHERS)

The details within are latest recommendations and are represent in good faith by Sika Corporation US (hereinafter Sika). The details are subject to change without notice. Sika accepts no liability for the end use of the details. For conditions not shown, consult Sika for review of specific details.

- Install Sika materials in accordance with current installation instructions.
- Unsatisfactory conditions shall be reported to the General Contractor and corrected before the application of Sika products.

Channeled Adhesive CI Design

TYPICAL AESTHETIC REVEAL



- Maintain a continuous layer of EPS insulation board, at a minimum 3/4" (19 mm) thickness, behind all reveals and aesthetic grooves.
- Reinforcing mesh shall be continuous and care shall be taken to ensure reinforcing mesh is not cut during base coat application.
- Horizontal reveals shall provide for outward positive drainage.
- Reveals must not occur at the abutment of two pieces of EPS insulation board.

CAD-07 2401

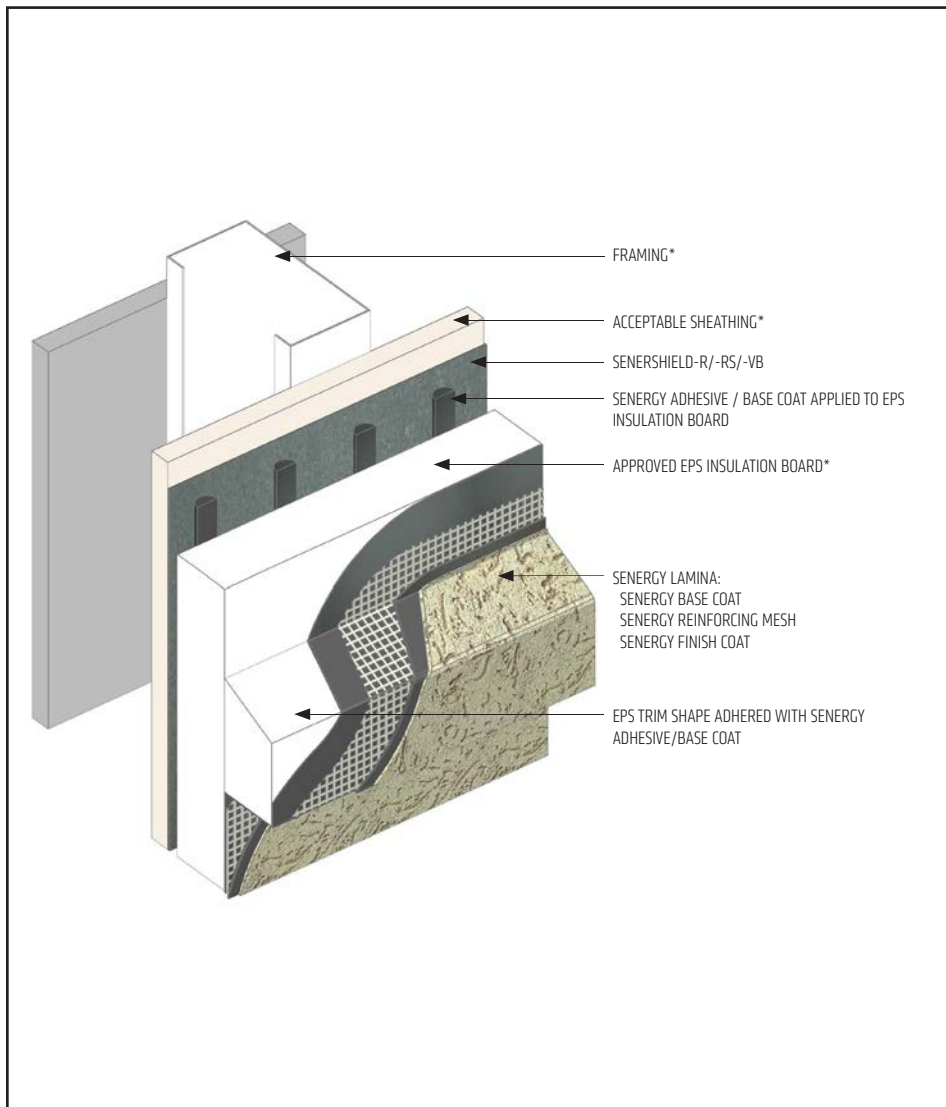
(*NOTE: BY OTHERS)

The details within are latest recommendations and are represent in good faith by Sika Corporation US (hereinafter Sika). The details are subject to change without notice. Sika accepts no liability for the end use of the details. For conditions not shown, consult Sika for review of specific details.

- Install Sika materials in accordance with current installation instructions.
- Unsatisfactory conditions shall be reported to the General Contractor and corrected before the application of Sika products.

Channeled Adhesive CI Design

TYPICAL DECORATIVE SHAPE APPLICATION



- On horizontal projections greater than 1" (25mm) maintain a minimum 6:12 slope. For sloped surfaces over 24" (340mm), a roofing system or a metal cap flashing is required.
- Senergy Joint Treatment Options: SikaWall MaxFlash, SikaWall Sheathing Fabric embedded in Senersshield-R/-RS/-VB or SikaWall Flash Seal NP.

CAD-08 2401

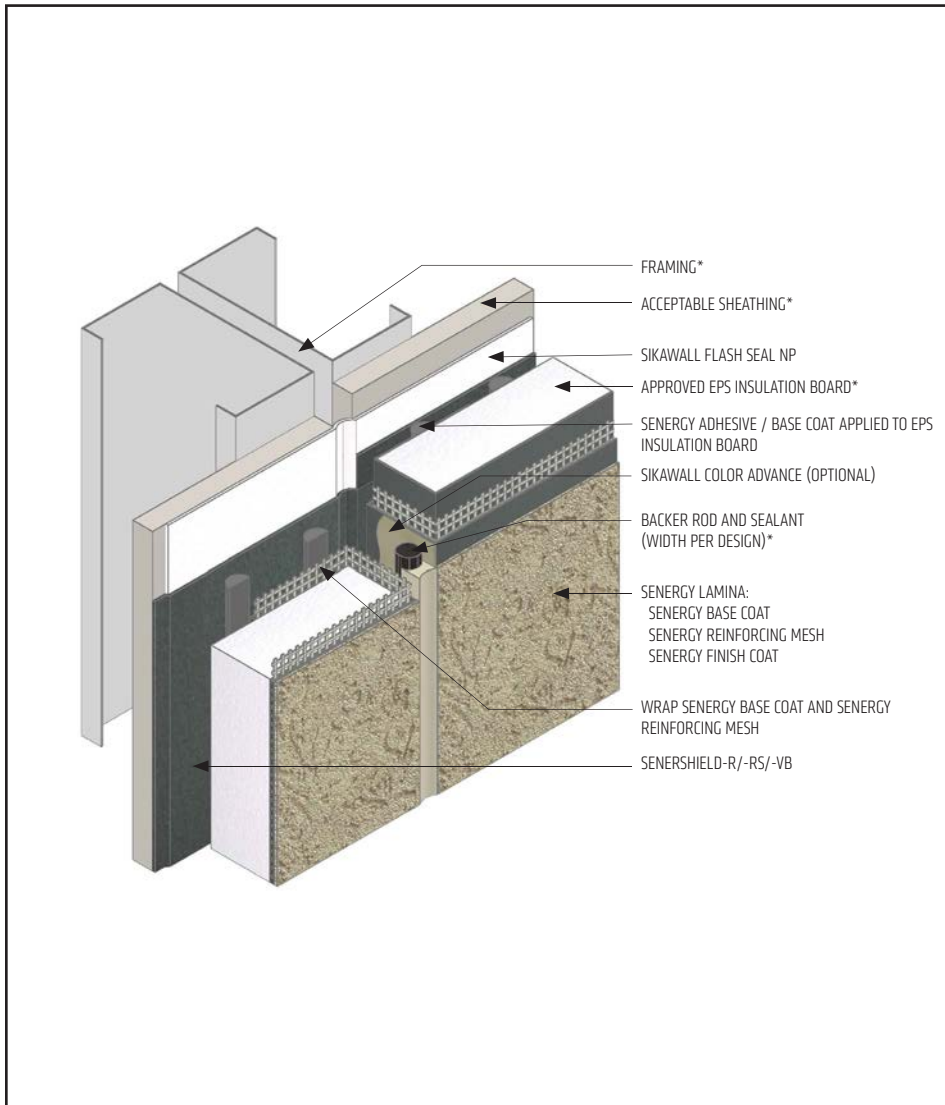
(*NOTE: BY OTHERS)

The details within are latest recommendations and are represent in good faith by Sika Corporation US (hereinafter Sika). The details are subject to change without notice. Sika accepts no liability for the end use of the details. For conditions not shown, consult Sika for review of specific details.

- Install Sika materials in accordance with current installation instructions.
- Unsatisfactory conditions shall be reported to the General Contractor and corrected before the application of Sika products.

Channeled Adhesive CI Design

TYPICAL EXPANSION JOINT



CAD-09 2401

(*NOTE: BY OTHERS)

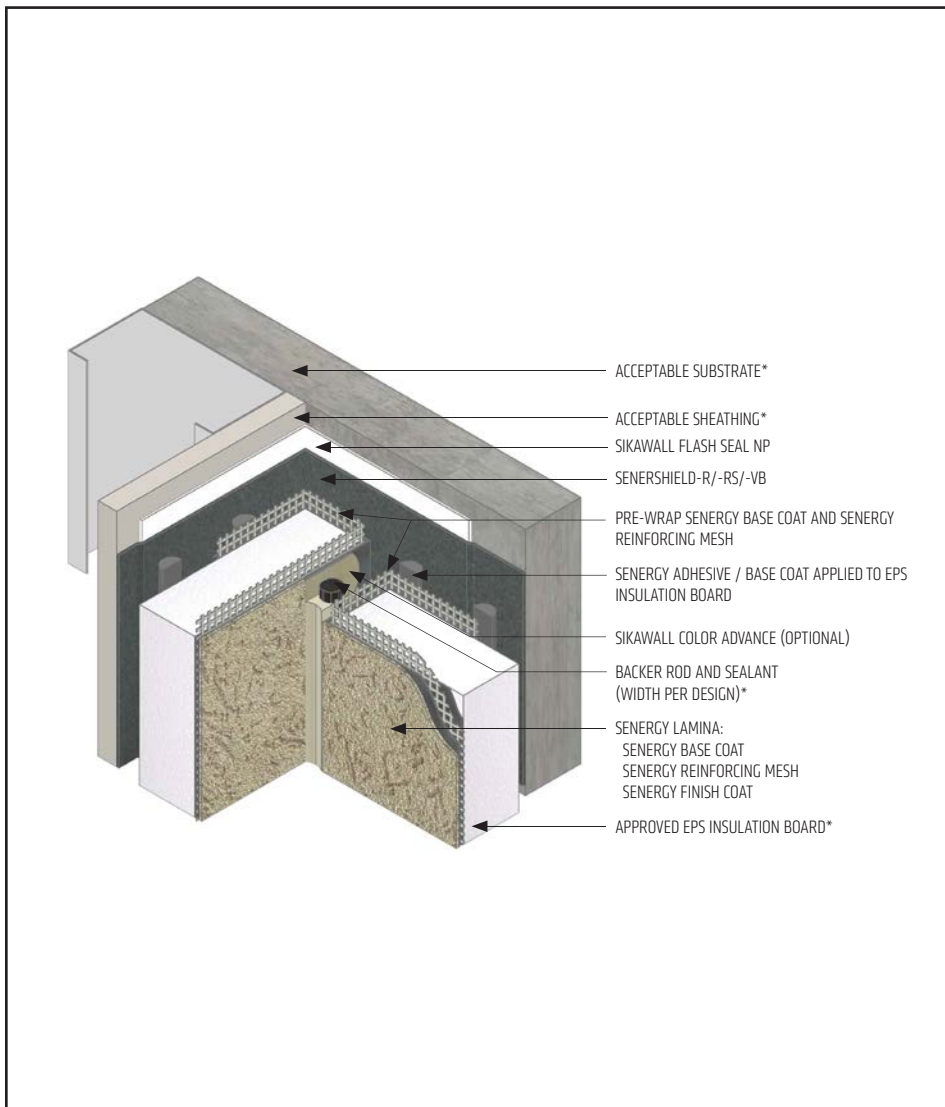
- All terminations must be fully encapsulated with mesh reinforced base coat. Extend reinforcing mesh a minimum of 2 1/2" onto back of insulation board.
- Do not apply finish to areas that will receive sealant.
- Ensure drainage plane is continuous and unobstructed at expansion joint.
- Typical locations for system expansion joints are at building expansion joints, at prefabricated panel joints, floor lines of wood frame construction or where slip tracks are used in steel frame construction, where substrates change and where structural movement is anticipated. It is the sole responsibility of the project design team, including the architect, engineer, etc., to ultimately determine specific expansion joint placement, width and design. Detail specific locations in construction drawings
- Provide sufficient slack in SikaWall Flash Seal NP at expansion joint to allow for movement.
- Reference *Acceptable Sealants for use with Senergy Wall Systems* Technical Bulletin for a list of sealants.

The details within are latest recommendations and are represent in good faith by Sika Corporation US (hereinafter Sika). The details are subject to change without notice. Sika accepts no liability for the end use of the details. For conditions not shown, consult Sika for review of specific details.

- Install Sika materials in accordance with current installation instructions.
- Unsatisfactory conditions shall be reported to the General Contractor and corrected before the application of Sika products.

Channeled Adhesive CI Design

TYPICAL EXPANSION JOINT AT CHANGE IN SUBSTRATE



- All terminations must be fully encapsulated with mesh reinforced base coat. Extend reinforcing mesh a minimum of 2 1/2" onto back of insulation board.
- Do not apply finish to areas that will receive sealant.
- Ensure drainage plane is continuous and unobstructed at expansion joint.
- Typical locations for system expansion joints are at building expansion joints, at prefabricated panel joints, floor lines of wood frame construction or where slip tracks are used in steel frame construction, where substrates change and where structural movement is anticipated. It is the sole responsibility of the project design team, including the architect, engineer, etc., to ultimately determine specific expansion joint placement, width and design. Detail specific locations in construction drawings.
- Provide sufficient slack in SikaWall Flash Seal NP at expansion joint to allow for movement.
- Reference *Acceptable Sealants for use with Senergy Wall Systems* Technical Bulletin for a list of sealants.

CAD-10 2401

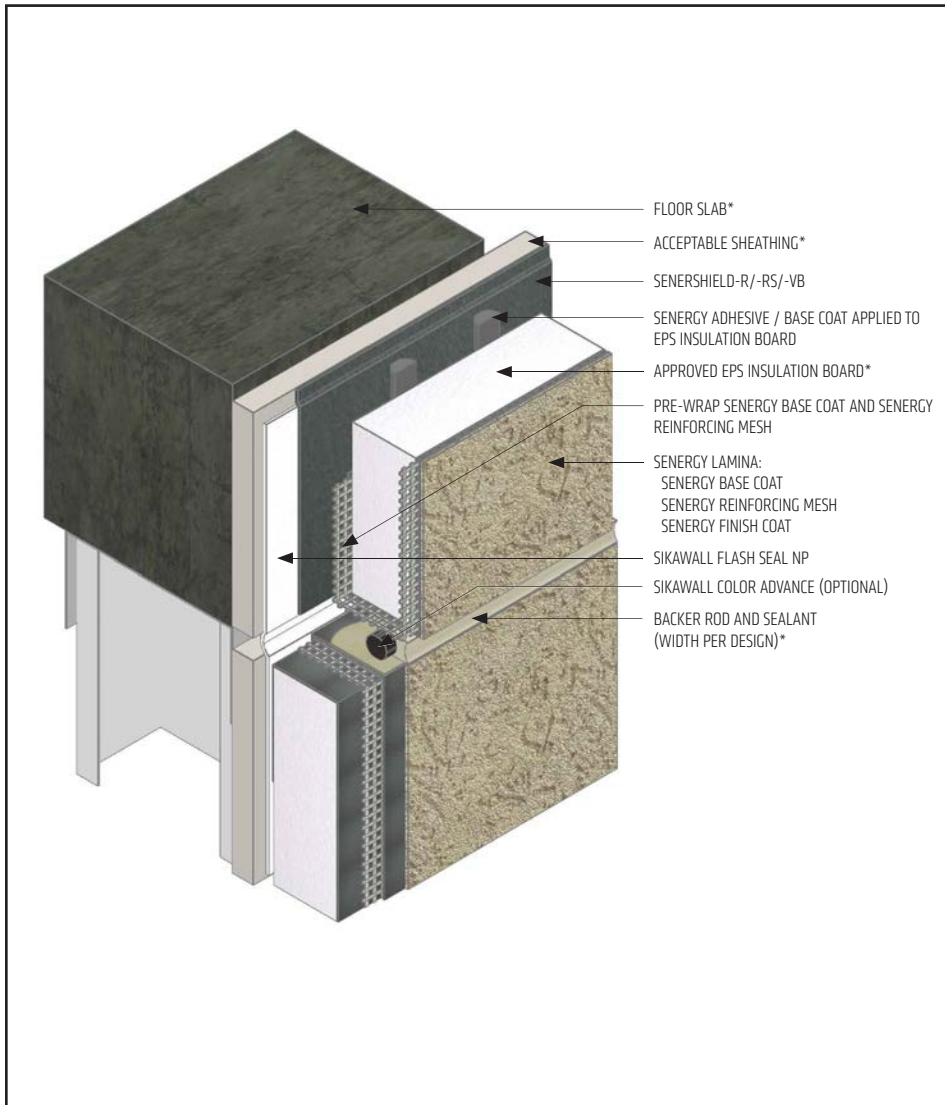
(*NOTE: BY OTHERS)

The details within are latest recommendations and are represent in good faith by Sika Corporation US (hereinafter Sika). The details are subject to change without notice. Sika accepts no liability for the end use of the details. For conditions not shown, consult Sika for review of specific details.

- Install Sika materials in accordance with current installation instructions.
- Unsatisfactory conditions shall be reported to the General Contractor and corrected before the application of Sika products.

Channeled Adhesive CI Design

TYPICAL EXPANSION JOINT AT FLOORLINE



CAD-11 2401

(*NOTE: BY OTHERS)

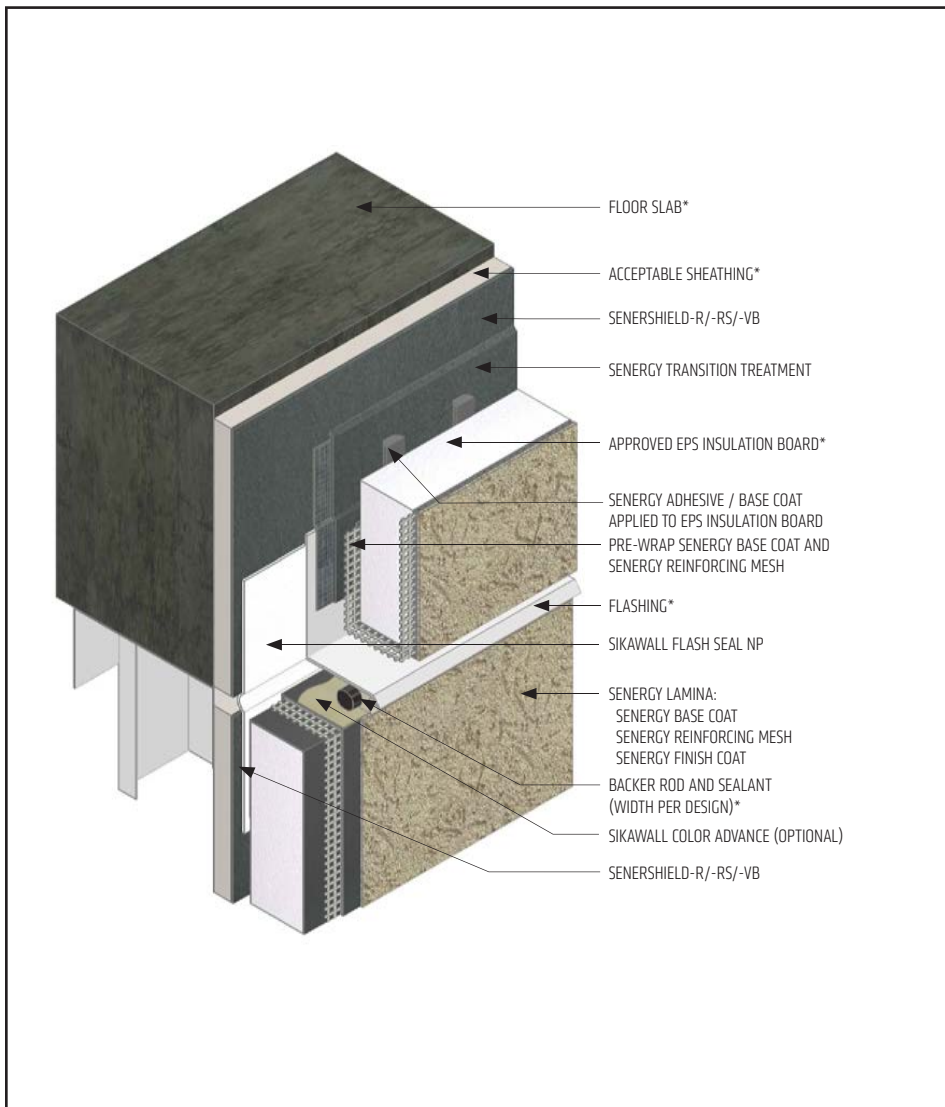
- All terminations must be fully encapsulated with mesh reinforced base coat. Pre-backwrapping is recommended at drainage terminations. Extend reinforcing mesh a minimum of 2 1/2" onto back of insulation board.
- Do not apply finish to areas that will receive sealant.
- Provide sufficient slack in the SikaWall Flash Seal NP at expansion joint to allow for movement.
- Typical locations for system expansion joints are at building expansion joints, at prefabricated panel joints, floor lines of wood frame construction or where slip tracks are used in steel frame construction, where substrates change and where structural movement is anticipated. It is the sole responsibility of the project design team, including the architect, engineer, etc., to ultimately determine specific expansion joint placement, width and design. Detail specific locations in construction drawings.
- It is recommended that a means for drainage is provided at every third floor. (See typical drainage at floorline detail).
- Ensure drainage plane is continuous and unobstructed at expansion joint.
- Reference *Acceptable Sealants for use with Senergy Wall Systems* Technical Bulletin for a list of sealants.

The details within are latest recommendations and are represent in good faith by Sika Corporation US (hereinafter Sika). The details are subject to change without notice. Sika accepts no liability for the end use of the details. For conditions not shown, consult Sika for review of specific details.

- Install Sika materials in accordance with current installation instructions.
- Unsatisfactory conditions shall be reported to the General Contractor and corrected before the application of Sika products.

Channeled Adhesive CI Design

TYPICAL DRAINAGE AT FLOORLINE



CAD-12 2401

(*NOTE: BY OTHERS)

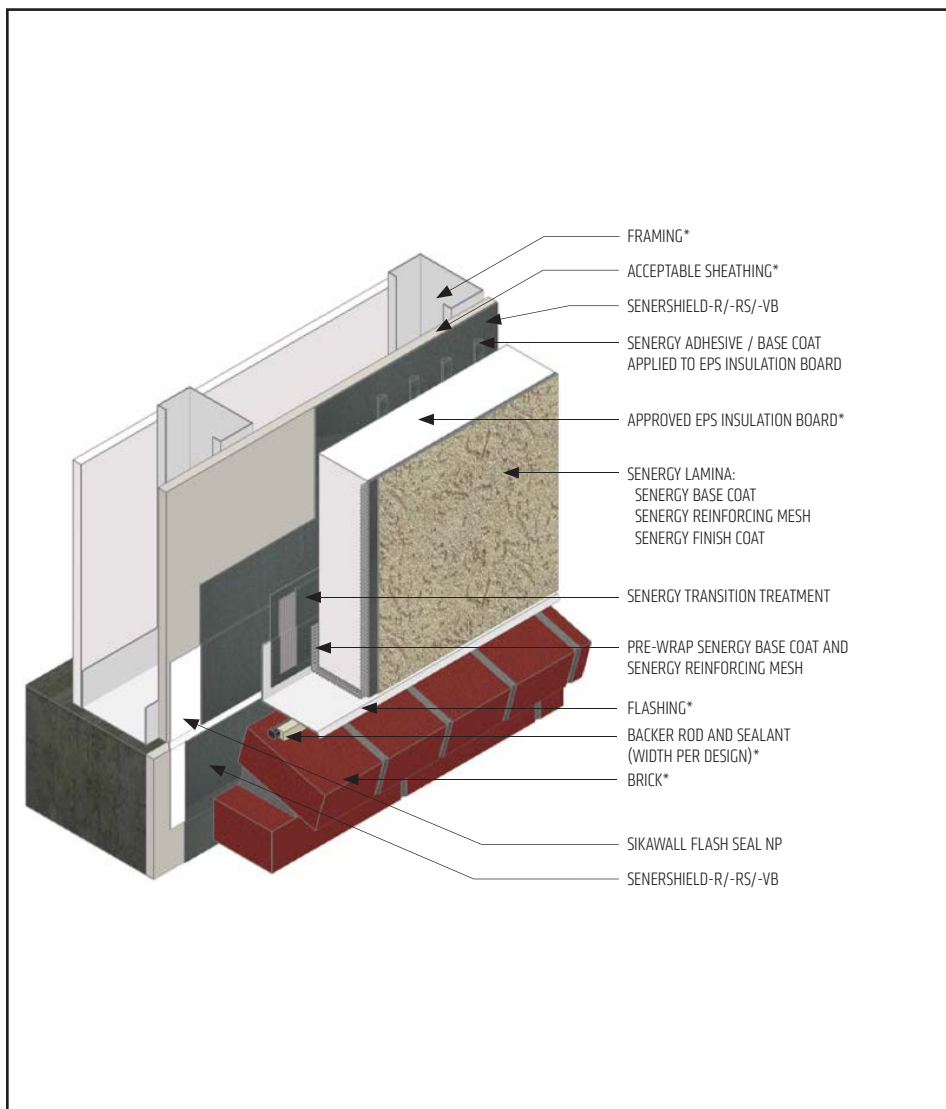
- All terminations must be fully encapsulated with mesh reinforced base coat. Pre-backwrapping is recommended at drainage terminations. Extend reinforcing mesh a minimum of 2 1/2" onto back of insulation board.
- Do not apply finish to areas that will receive sealant.
- Typical locations for system expansion joints are at building expansion joints, at prefabricated panel joints, floor lines of wood frame construction or where slip tracks are used in steel frame construction, where substrates change and where structural movement is anticipated. It is the sole responsibility of the project design team, including the architect, engineer, etc., to ultimately determine specific expansion joint placement, width and design. Detail specific locations in construction drawings.
- It is recommended that a means for drainage is provided at every third floor.
- Provide sufficient slack in the SikaWall Flash Seal NP at expansion joint to allow for movement.
- Senergy Transition Treatment Options: SikaWall MaxFlash, SikaWall Sheathing Fabric embedded in Senershield-R/-RS/-VB or SikaWall Flash Seal NP.
- Reference *Acceptable Sealants for Use With Sika Facades Technical Bulletin* for a list of sealants.

The details within are latest recommendations and are represent in good faith by Sika Corporation US (hereinafter Sika). The details are subject to change without notice. Sika accepts no liability for the end use of the details. For conditions not shown, consult Sika for review of specific details.

- Install Sika materials in accordance with current installation instructions.
- Unsatisfactory conditions shall be reported to the General Contractor and corrected before the application of Sika products.

Channeled Adhesive CI Design

TYPICAL ABUTMENT TO BRICK WITH FLASHING



CAD-13 2401

(*NOTE: BY OTHERS)

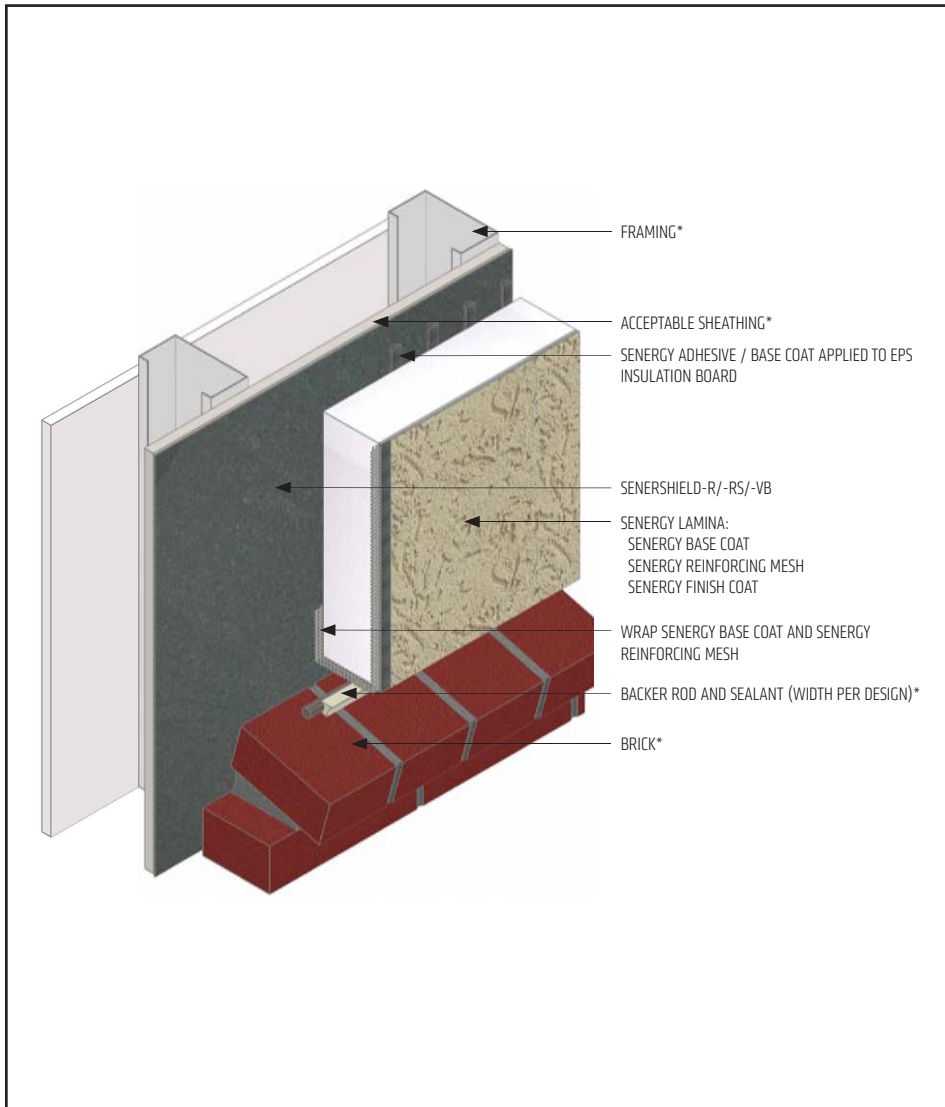
- All terminations must be fully encapsulated with mesh reinforced base coat. Pre-backwrapping is recommended at drainage terminations. Extend reinforcing mesh a minimum of 2 1/2" onto back of insulation board.
- Ensure a means for drainage is provided at system termination at brick.
- Brick must be installed per local code requirements.
- Provide sufficient slack in the SikaWall Flash Seal NP at expansion joint to allow for movement.
- Senergy Transition Treatment Options: SikaWall MaxFlash, SikaWall Sheathing Fabric embedded in Senershield-R/-RS/-VB or SikaWall Flash Seal NP.

The details within are latest recommendations and are represent in good faith by Sika Corporation US (hereinafter Sika). The details are subject to change without notice. Sika accepts no liability for the end use of the details. For conditions not shown, consult Sika for review of specific details.

- Install Sika materials in accordance with current installation instructions.
- Unsatisfactory conditions shall be reported to the General Contractor and corrected before the application of Sika products.

Channeled Adhesive CI Design

TYPICAL ABUTMENT TO BRICK WITH CONTINUOUS DRAINAGE PLANE



CAD-14 2401

(*NOTE: BY OTHERS)

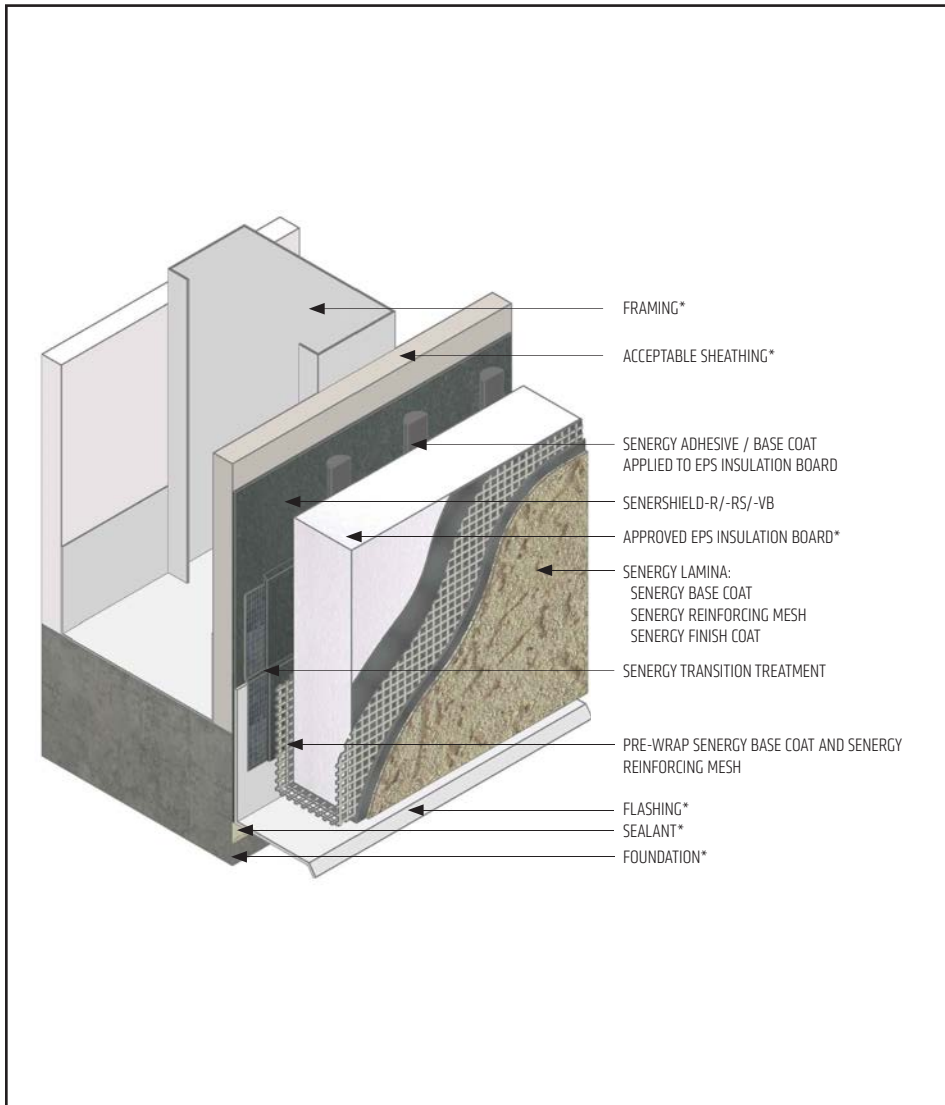
- All terminations must be fully encapsulated with mesh reinforced base coat. Pre-backwrapping is recommended at drainage terminations. Extend reinforcing mesh a minimum of 2 1/2" onto back of insulation board.
- Ensure a continuous drainage plane is maintained at system abutment to brick.
- Brick must be installed per local code requirements.
- Reference *Acceptable Sealants for use with Senergy Wall Systems* Technical Bulletin for a list of sealants.

The details within are latest recommendations and are represent in good faith by Sika Corporation US (hereinafter Sika). The details are subject to change without notice. Sika accepts no liability for the end use of the details. For conditions not shown, consult Sika for review of specific details.

- Install Sika materials in accordance with current installation instructions.
- Unsatisfactory conditions shall be reported to the General Contractor and corrected before the application of Sika products.

Channeled Adhesive CI Design

TYPICAL TERMINATION AT FOUNDATION



CAD-15 2401

(*NOTE: BY OTHERS)

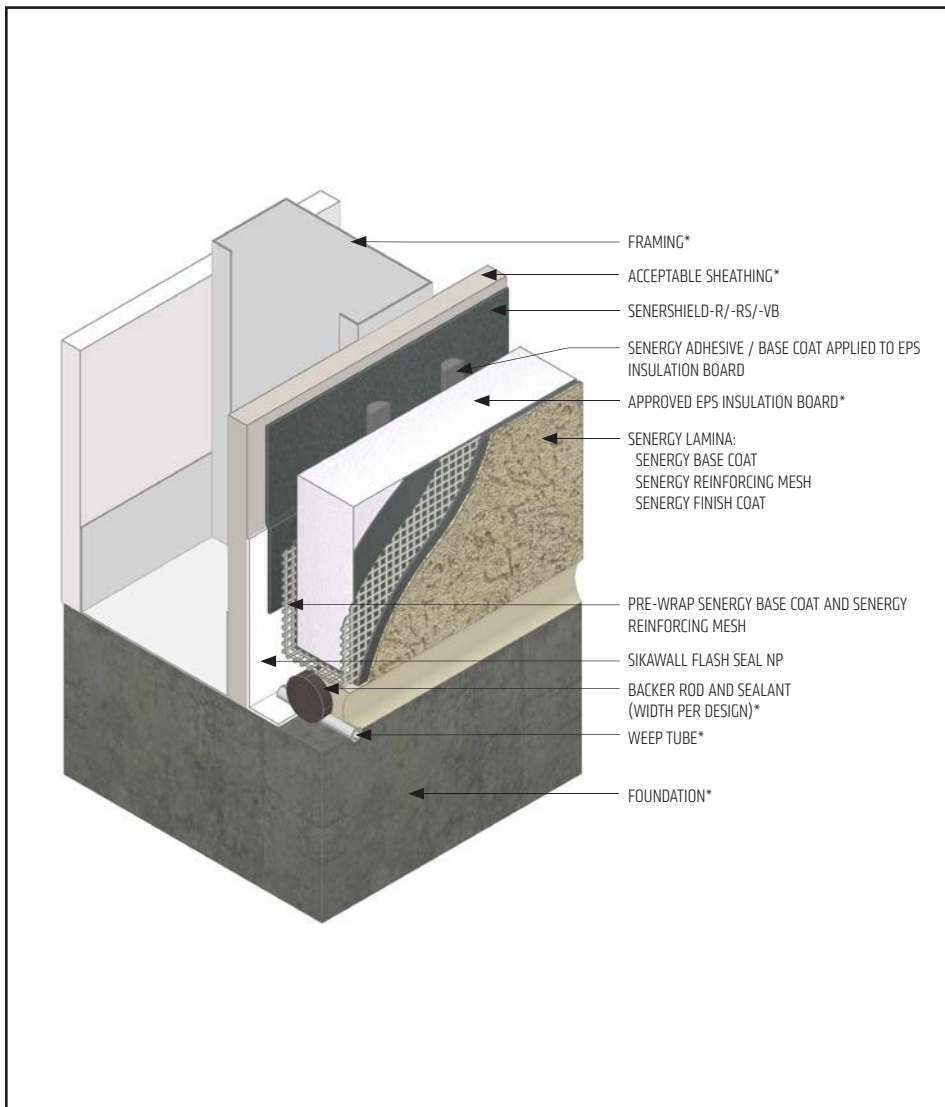
- All terminations must be fully encapsulated with mesh reinforced base coat. Pre-backwrapping is recommended at drainage terminations. Extend reinforcing mesh a minimum of 2 1/2" onto back of insulation board.
- Ensure a means for drainage is provided at system termination at foundation.
- Terminate system a minimum of 6" (152 mm) above grade.
- Extend system a minimum of 2" (50 mm) and a maximum of 12" (305 mm) at the sole plate foundation transition.
- Apply Senergy Transition Treatment at transition from sheathing to concrete (behind flashing).
- Senergy Transition Treatment Options: SikaWall MaxFlash, SikaWall Sheathing Fabric embedded in Senershield-R/-RS/-VB or SikaWall Flash Seal NP.

The details within are latest recommendations and are represent in good faith by Sika Corporation US (hereinafter Sika). The details are subject to change without notice. Sika accepts no liability for the end use of the details. For conditions not shown, consult Sika for review of specific details.

- Install Sika materials in accordance with current installation instructions.
- Unsatisfactory conditions shall be reported to the General Contractor and corrected before the application of Sika products.

Channeled Adhesive CI Design

TYPICAL TERMINATION AT FOUNDATION (FLUSH)



- All terminations must be fully encapsulated with mesh reinforced base coat. Pre-backwrapping is recommended at drainage terminations. Extend reinforcing mesh a minimum of 2 1/2" onto back of insulation board.
- Ensure a means for drainage is provided at system termination at foundation.
- Place weep tubes a maximum of 24" (610 mm) on center.
- Do not apply finish to areas that will receive sealant.
- Reference *Acceptable Sealants for use with Senergy Wall System* Technical Bulletin for a list of sealants.

CAD-16 2401

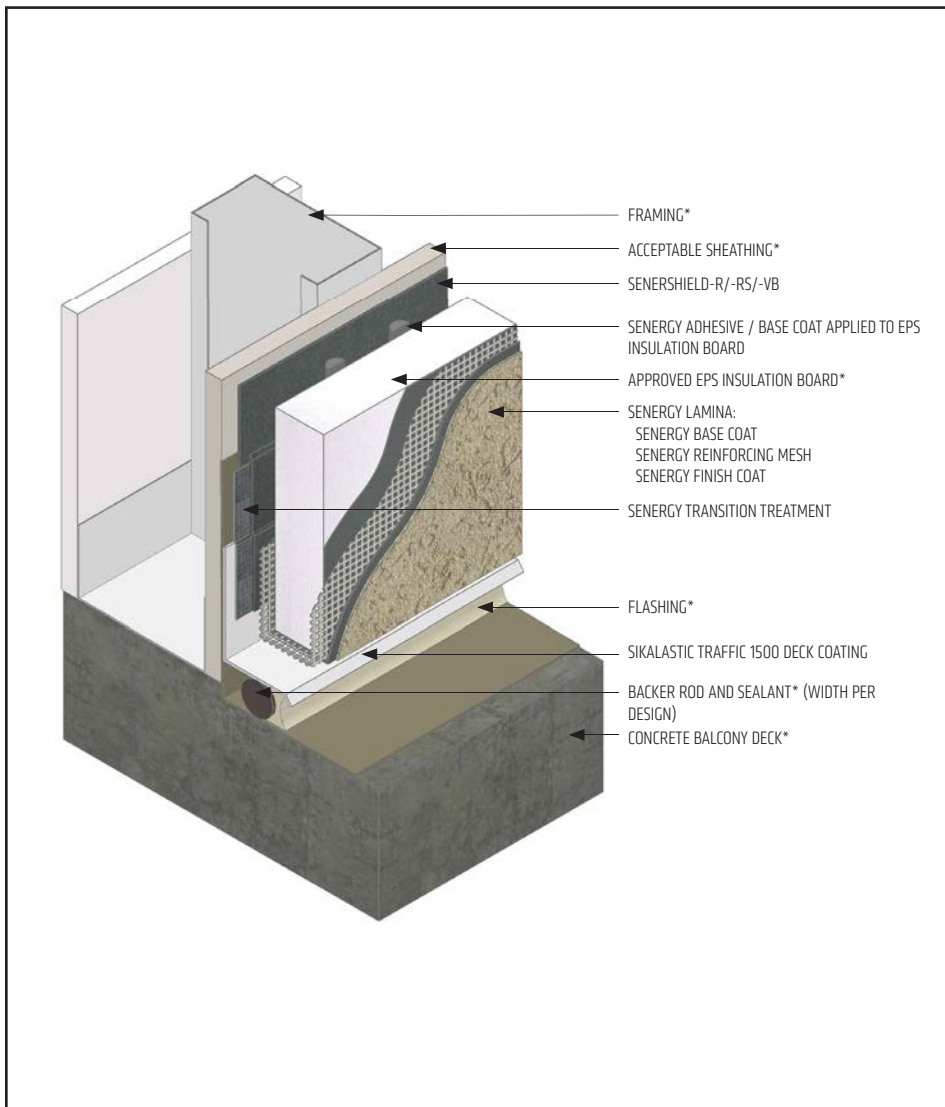
(*NOTE: BY OTHERS)

The details within are latest recommendations and are represent in good faith by Sika Corporation US (hereinafter Sika). The details are subject to change without notice. Sika accepts no liability for the end use of the details. For conditions not shown, consult Sika for review of specific details.

- Install Sika materials in accordance with current installation instructions.
- Unsatisfactory conditions shall be reported to the General Contractor and corrected before the application of Sika products.

Channeled Adhesive CI Design

TYPICAL TERMINATION AT BALCONY DECK



- For traffic/deck coating other than Sikalastic® Traffic 1500, ensure flashing flange fully covers the traffic/deck coating material prior to transitioning Senergy materials onto the flange.
- Senergy Transition Treatment Options: SikaWall MaxFlash, SikaWall Sheathing Fabric embedded in Senershield-R/-RS/-VB or SikaWall Flash Seal NP.

CAD-17 2401

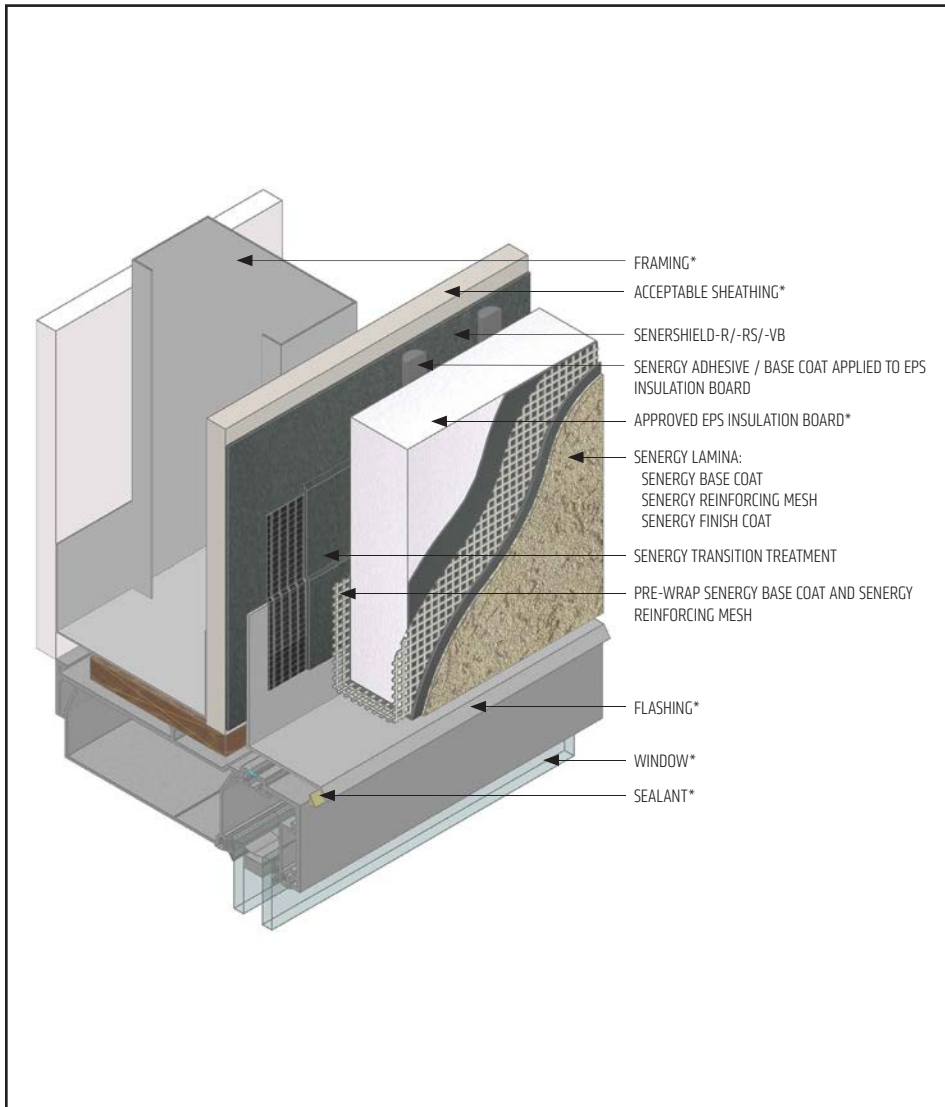
(*NOTE: BY OTHERS)

The details within are latest recommendations and are represent in good faith by Sika Corporation US (hereinafter Sika). The details are subject to change without notice. Sika accepts no liability for the end use of the details. For conditions not shown, consult Sika for review of specific details.

- Install Sika materials in accordance with current installation instructions.
- Unsatisfactory conditions shall be reported to the General Contractor and corrected before the application of Sika products.

Channeled Adhesive CI Design

TYPICAL WINDOW HEAD (FLUSH)



CAD-18 2401

(*NOTE: BY OTHERS)

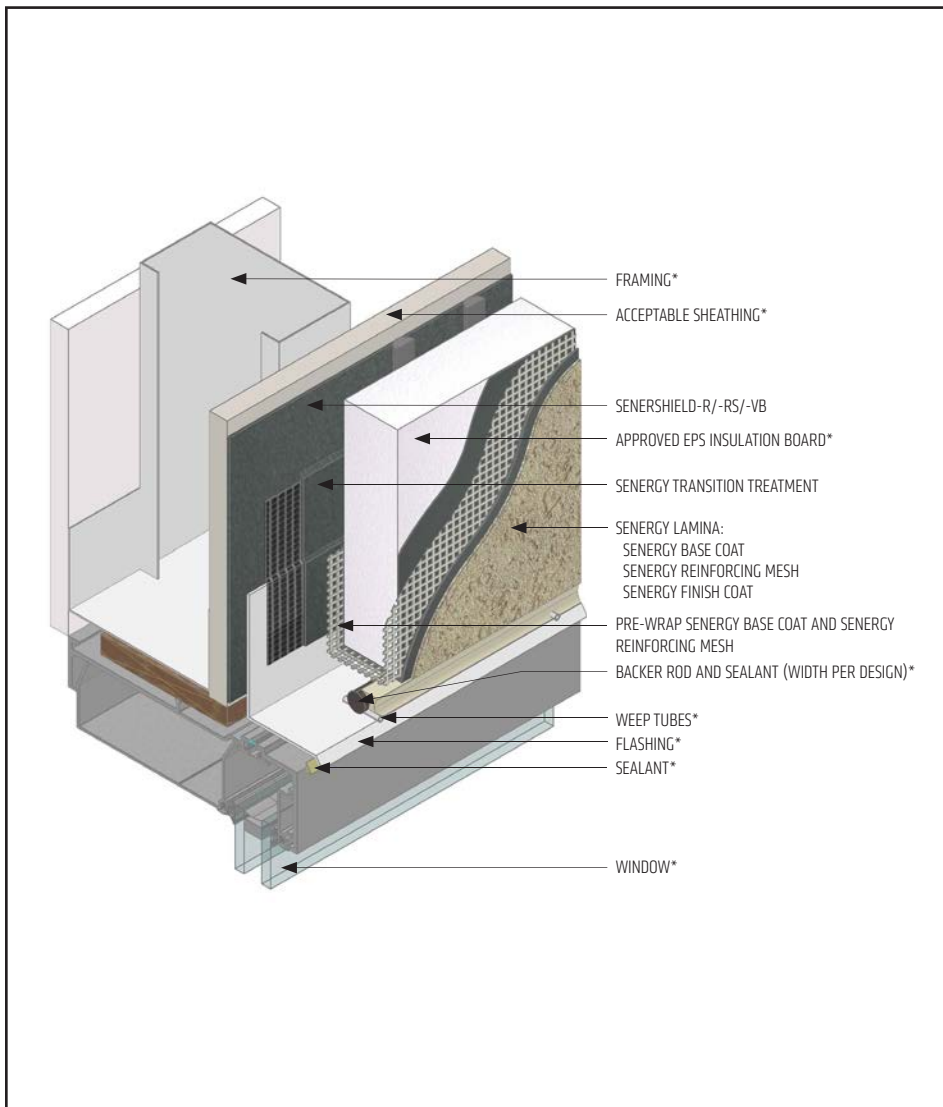
- All terminations must be fully encapsulated with mesh reinforced base coat. Pre-backwrapping is recommended at drainage terminations. Extend reinforcing mesh a minimum of 2 1/2" onto back of insulation board.
- Ensure a means for drainage is provided at system termination at window head.
- Provide end-dams at flashing terminations.
- Senergy Transition Treatment Options: SikaWall MaxFlash, SikaWall Sheathing Fabric embedded in Senershield-R/-RS/-VB or SikaWall Flash Seal NP.
- Prior to window and EPS installation, ensure water-resistive barrier is properly applied into the rough openings in accordance with Senergy application guidelines and code requirements. Reference Senergy Senershield published typical details.
- Consult window and sealant manufacturers to verify window installation, detailing and to ensure no water leakage into the wall assembly.

The details within are latest recommendations and are represent in good faith by Sika Corporation US (hereinafter Sika). The details are subject to change without notice. Sika accepts no liability for the end use of the details. For conditions not shown, consult Sika for review of specific details.

- Install Sika materials in accordance with current installation instructions.
- Unsatisfactory conditions shall be reported to the General Contractor and corrected before the application of Sika products.

Channeled Adhesive CI Design

TYPICAL WINDOW HEAD (FLUSH) WITH WEEP TUBES



- All terminations must be fully encapsulated with mesh reinforced base coat. Pre-backwrapping is recommended at drainage terminations. Extend reinforcing mesh a minimum of 2 1/2" onto back of insulation board.
- Ensure a means for drainage is provided at system termination at window head.
- Provide end-dams at flashing terminations.
- Do not apply finish to areas that will receive sealant.
- Senergy Transition Treatment Options: SikaWall MaxFlash, SikaWall Sheathing Fabric embedded in Senershield-R/-RS/-VB or SikaWall Flash Seal NP.
- Prior to window and EPS installation, ensure water-resistive barrier is properly applied into the rough openings in accordance with Senergy application guidelines and code requirements. Reference Senergy Senershield published typical details.
- Place weep tubes a maximum of 16" (406 mm) on center.
- Reference *Acceptable Sealants for use with Senergy Wall Systems* Technical Bulletin for a list of sealants.
- Consult window and sealant manufacturers to verify window installation, detailing and to ensure no water leakage into the wall assembly.

CAD-19 2401

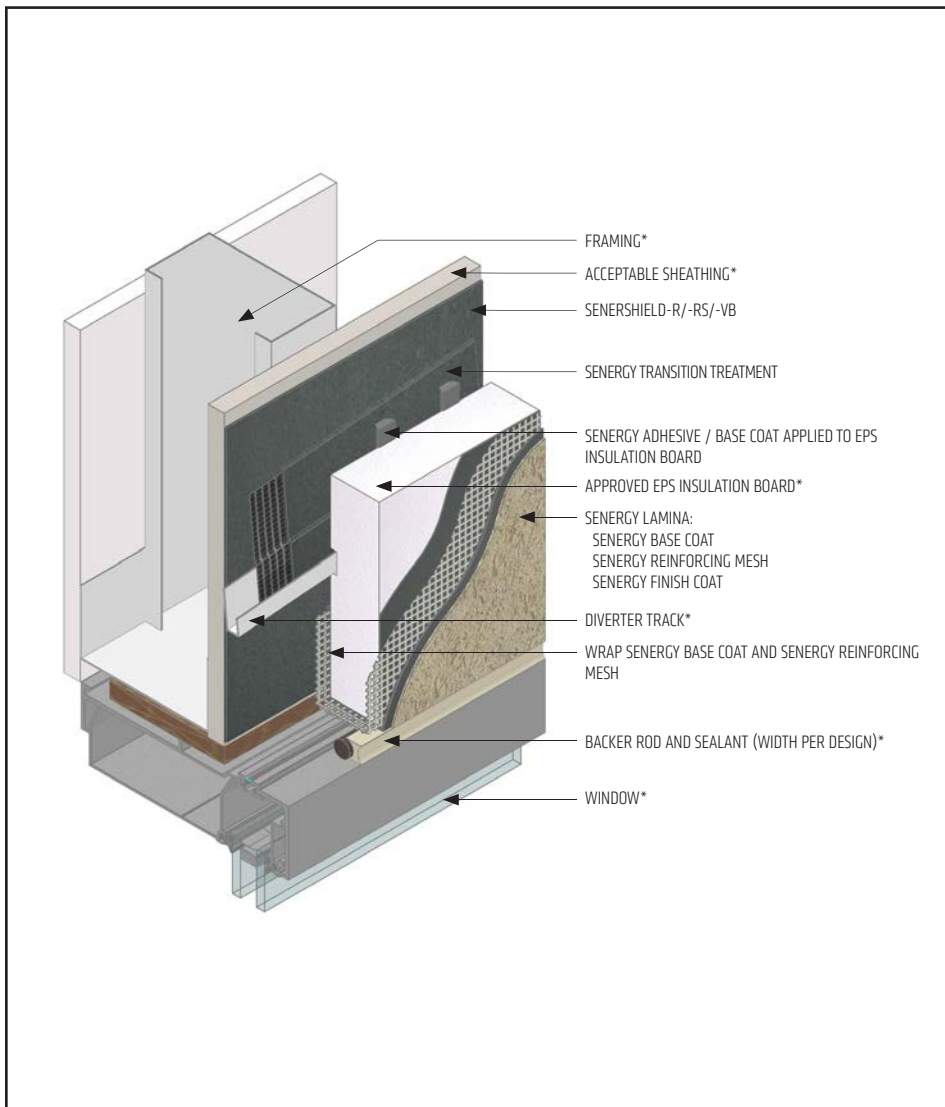
(*NOTE: BY OTHERS)

The details within are latest recommendations and are represent in good faith by Sika Corporation US (hereinafter Sika). The details are subject to change without notice. Sika accepts no liability for the end use of the details. For conditions not shown, consult Sika for review of specific details.

- Install Sika materials in accordance with current installation instructions.
- Unsatisfactory conditions shall be reported to the General Contractor and corrected before the application of Sika products.

Channeled Adhesive CI Design

TYPICAL WINDOW HEAD (FLUSH) WITH DIVERTER TRACK



- All terminations must be fully encapsulated with mesh reinforced base coat. Extend reinforcing mesh a minimum of 2 1/2" onto back of insulation board
- Provide a back wrapped type joint with backer rod and sealant at system terminations to dissimilar materials, ensuring that a water tight seal is achieved (width per design).
- Diverter Flashing Requirements:
 - Extend diverter flashing 6" (152 mm) beyond opening on either side of the opening to allow potential moisture to drain down the wall to the side of the opening.
 - Ensure the flashing is in one piece and does not exceed 10 ft.
 - Ensure the diverter track flashing is sloped 1-2" to provide a means for drainage.
- Senergy Transition Treatment Options: SikaWall MaxFlash, SikaWall Sheathing Fabric embedded in Senershield-R/-RS/-VB or SikaWall Flash Seal NP.
- Maintain a minimum of 3/4" (19 mm) EPS insulation thickness.
- Prior to window and EPS installation, ensure water-resistive barrier is properly applied into the rough openings in accordance with Senergy application guidelines and code requirements. Reference Senergy Senershield published typical details.
- Reference *Acceptable Sealants for use with Senergy Wall Systems* Technical Bulletin for a list of sealants.
- Do not apply finish in areas that will receive sealant.
- Consult window and sealant manufacturers to verify window installation, detailing and to ensure no water leakage into the wall assembly.

CAD-20 2401

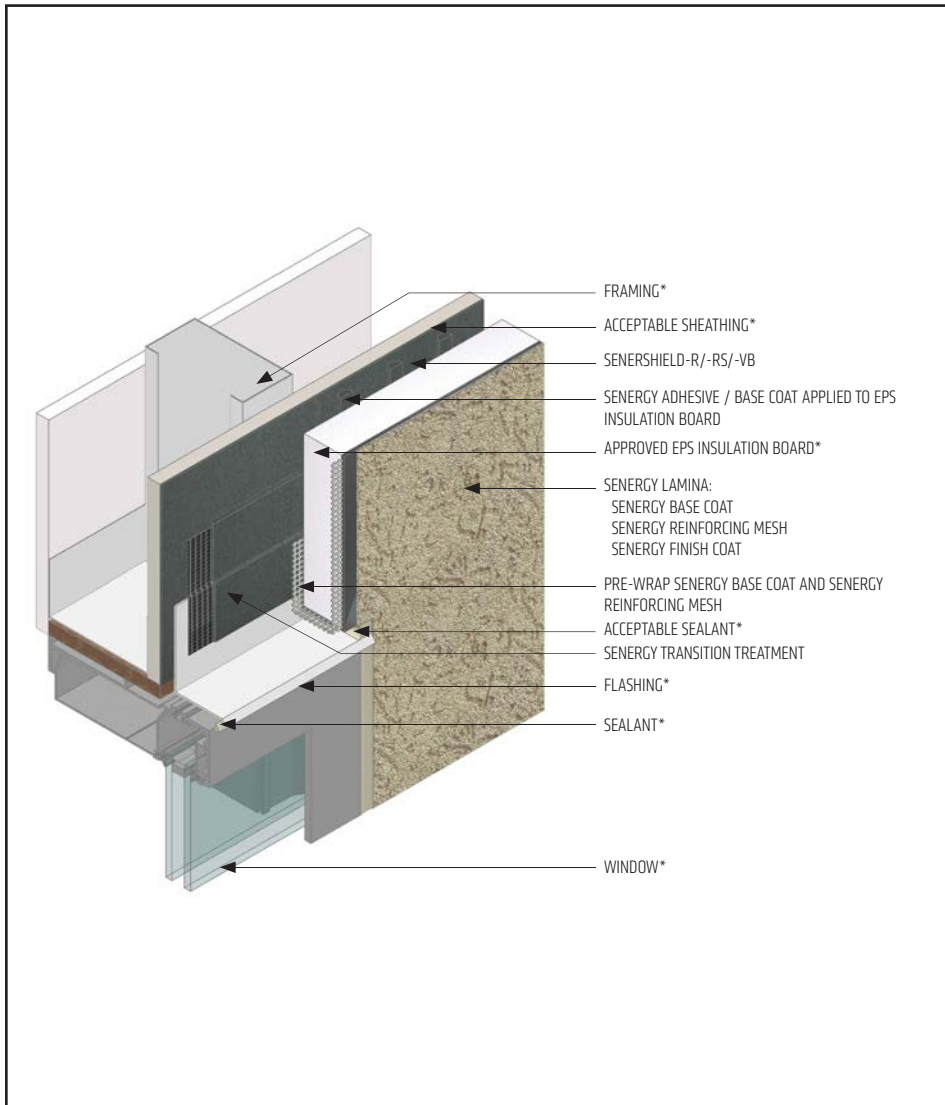
(*NOTE: BY OTHERS)

The details within are latest recommendations and are represent in good faith by Sika Corporation US (hereinafter Sika). The details are subject to change without notice. Sika accepts no liability for the end use of the details. For conditions not shown, consult Sika for review of specific details.

- Install Sika materials in accordance with current installation instructions.
- Unsatisfactory conditions shall be reported to the General Contractor and corrected before the application of Sika products.

Channeled Adhesive CI Design

TYPICAL WINDOW HEAD WITH SEALANT END DAM



- Senergy Transition Treatment Options: SikaWall MaxFlash, SikaWall Sheathing Fabric embedded in Senersshield-R/-RS/-VB or SikaWall Flash Seal NP.
- Consult window and sealant manufacturers to verify window installation, detailing and to ensure no water leakage into the wall assembly.
- Prior to window and EPS installation, ensure water-resistive barrier is properly applied into the rough openings in accordance with Senergy application guidelines and code requirements. Reference Senergy Senersshield published typical details.
- Reference *Acceptable Sealants for use with Senergy Wall Systems* Technical Bulletin for a list of sealants.
- Do not apply finish in areas that will receive sealant.
- All terminations must be fully encapsulated with mesh reinforced base coat. Pre-backwrapping is recommended at drainage terminations. Extend reinforcing mesh a minimum of 2 1/2" onto back of insulation board.

CAD-21 2401

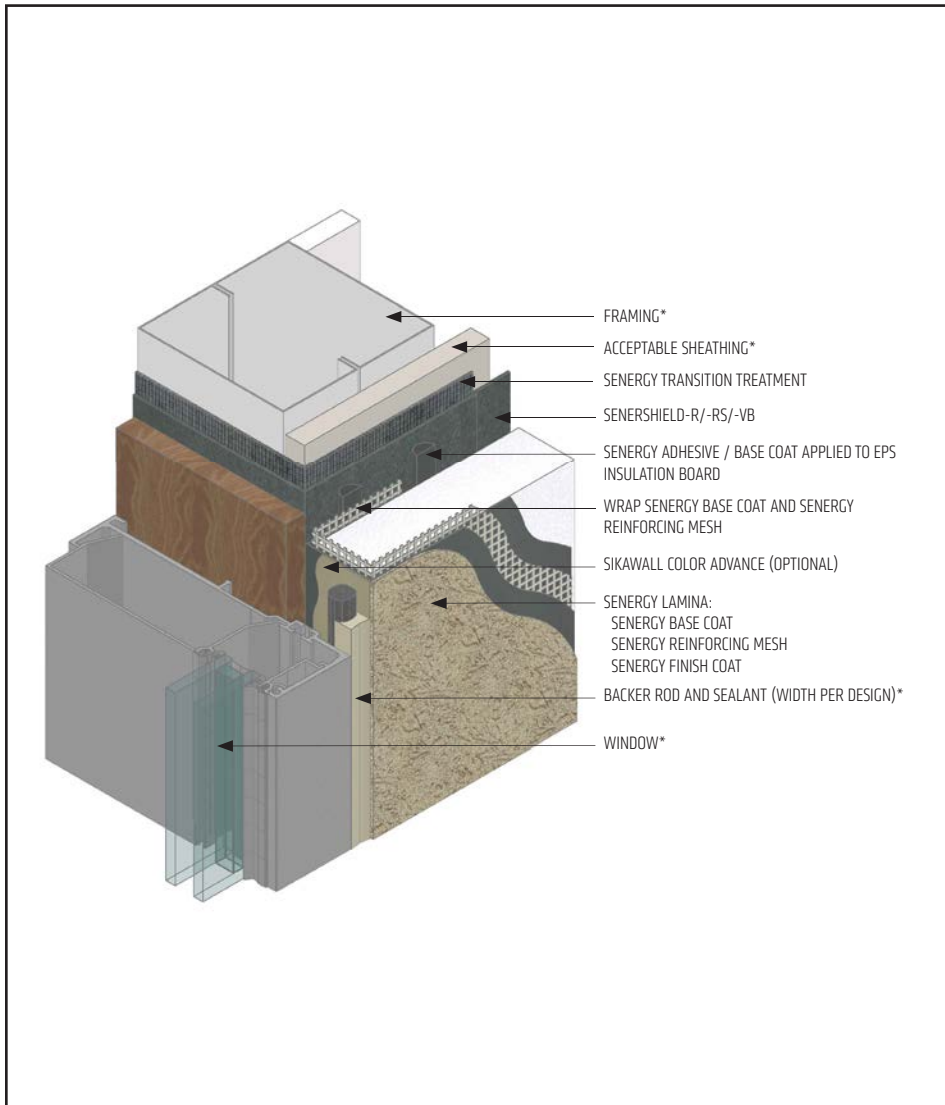
(*NOTE: BY OTHERS)

The details within are latest recommendations and are represent in good faith by Sika Corporation US (hereinafter Sika). The details are subject to change without notice. Sika accepts no liability for the end use of the details. For conditions not shown, consult Sika for review of specific details.

- Install Sika materials in accordance with current installation instructions.
- Unsatisfactory conditions shall be reported to the General Contractor and corrected before the application of Sika products.

Channeled Adhesive CI Design

TYPICAL WINDOW JAMB (FLUSH)



- All terminations must be fully encapsulated with mesh reinforced base coat. Extend reinforcing mesh a minimum of 2 1/2" onto back of insulation board
- Prior to window and EPS installation, ensure water-resistive barrier is properly applied to the rough openings in accordance with Senergy application guidelines and code requirements. Reference Senergy Senershield published typical details for further information.
- Do not apply finish to areas that will receive sealant.
- Provide a back wrapped type joint with backer rod and sealant at system terminations to dissimilar materials, ensuring that a water tight seal is achieved (width per design).
- Senergy Transition Treatment Options: SikaWall MaxFlash, SikaWall Sheathing Fabric embedded in Senershield-R/-RS/-VB or SikaWall Flash Seal NP.
- Reference *Acceptable Sealants for use with Senergy Wall Systems* Technical Bulletin for a list of sealants.
- Consult window and sealant manufacturers to verify window installation, detailing and to ensure no water leakage into the wall assembly.

CAD-22 2401

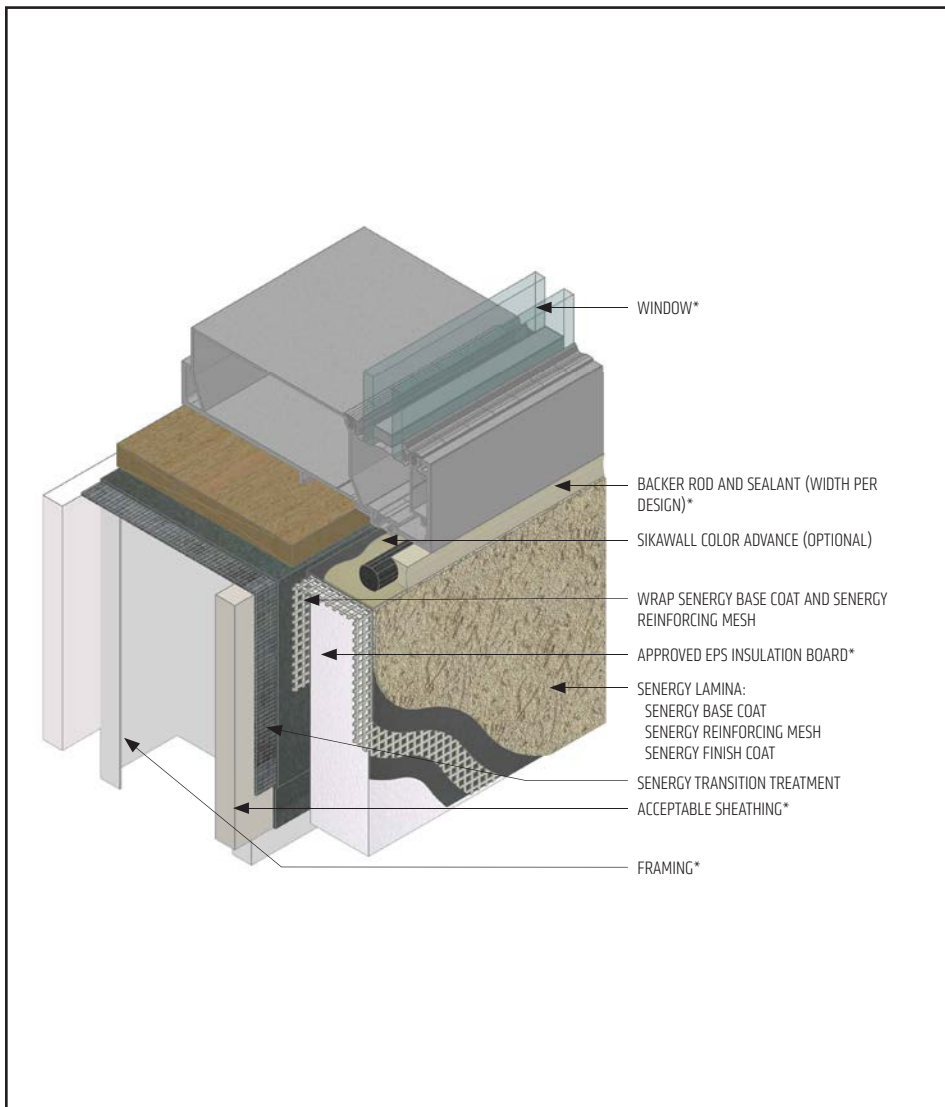
(*NOTE: BY OTHERS)

The details within are latest recommendations and are represent in good faith by Sika Corporation US (hereinafter Sika). The details are subject to change without notice. Sika accepts no liability for the end use of the details. For conditions not shown, consult Sika for review of specific details.

- Install Sika materials in accordance with current installation instructions.
- Unsatisfactory conditions shall be reported to the General Contractor and corrected before the application of Sika products.

Channeled Adhesive CI Design

TYPICAL WINDOW SILL (FLUSH)



CAD-23 2401

(*NOTE: BY OTHERS)

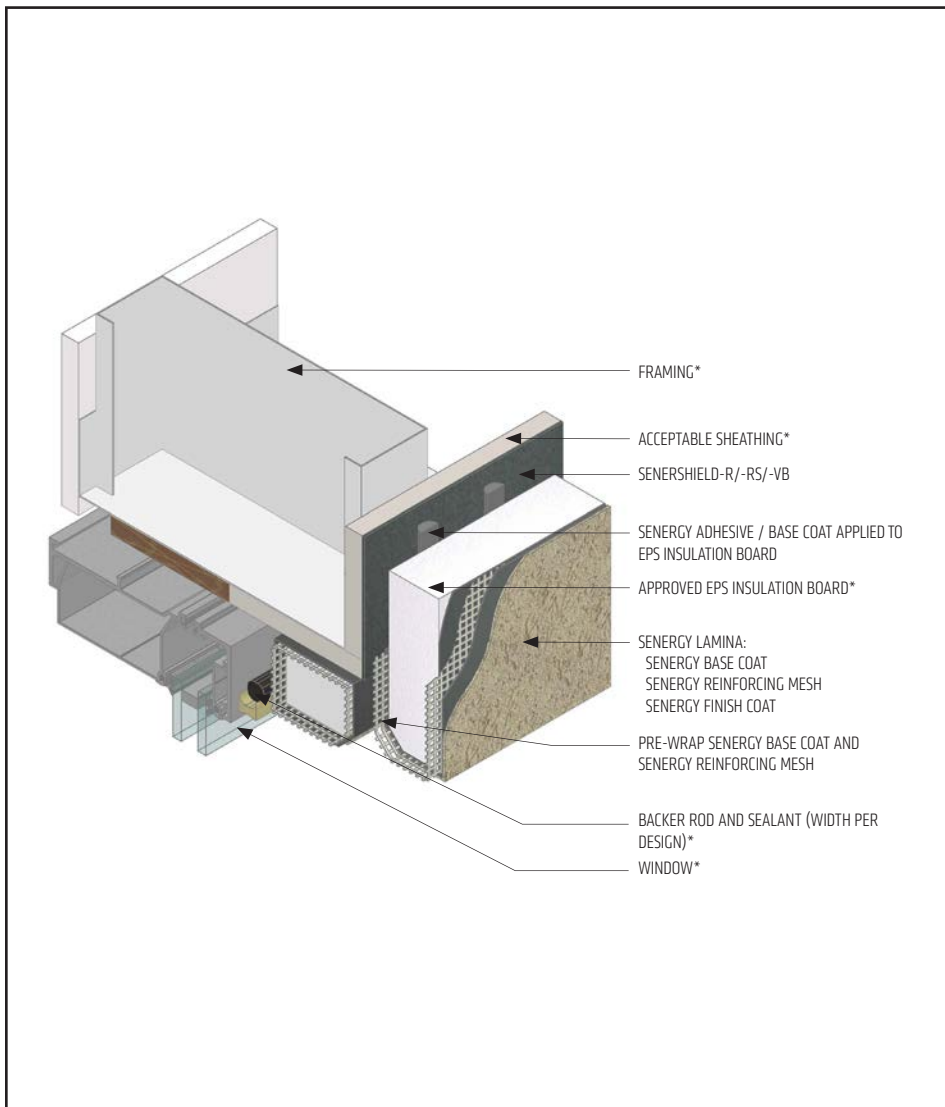
- All terminations must be fully encapsulated with mesh reinforced base coat. Extend reinforcing mesh a minimum of 2 1/2" onto back of insulation board.
- Prior to window and EPS installation, ensure water-resistive barrier is properly applied to the rough openings in accordance with Senergy application guidelines and code requirements. Reference Senergy Senershield published typical details.
- Do not apply finish to areas that will receive sealant.
- Provide a back wrapped type joint with backer rod and sealant at system terminations to dissimilar materials, ensuring that a water tight seal is achieved (width per design).
- Senergy Transition Treatment Options: SikaWall MaxFlash, SikaWall Sheathing Fabric embedded in Senershield-R/-RS/-VB or SikaWall Flash Seal NP.
- Reference *Acceptable Sealants for use with Senergy Wall Systems* Technical Bulletin for a list of sealants.
- Consult window and sealant manufacturers to verify window installation, detailing and to ensure no water leakage into the wall assembly.

The details within are latest recommendations and are represent in good faith by Sika Corporation US (hereinafter Sika). The details are subject to change without notice. Sika accepts no liability for the end use of the details. For conditions not shown, consult Sika for review of specific details.

- Install Sika materials in accordance with current installation instructions.
- Unsatisfactory conditions shall be reported to the General Contractor and corrected before the application of Sika products.

Channeled Adhesive CI Design

TYPICAL WINDOW HEAD (RECESSED)



CAD-24 2401

(*NOTE: BY OTHERS)

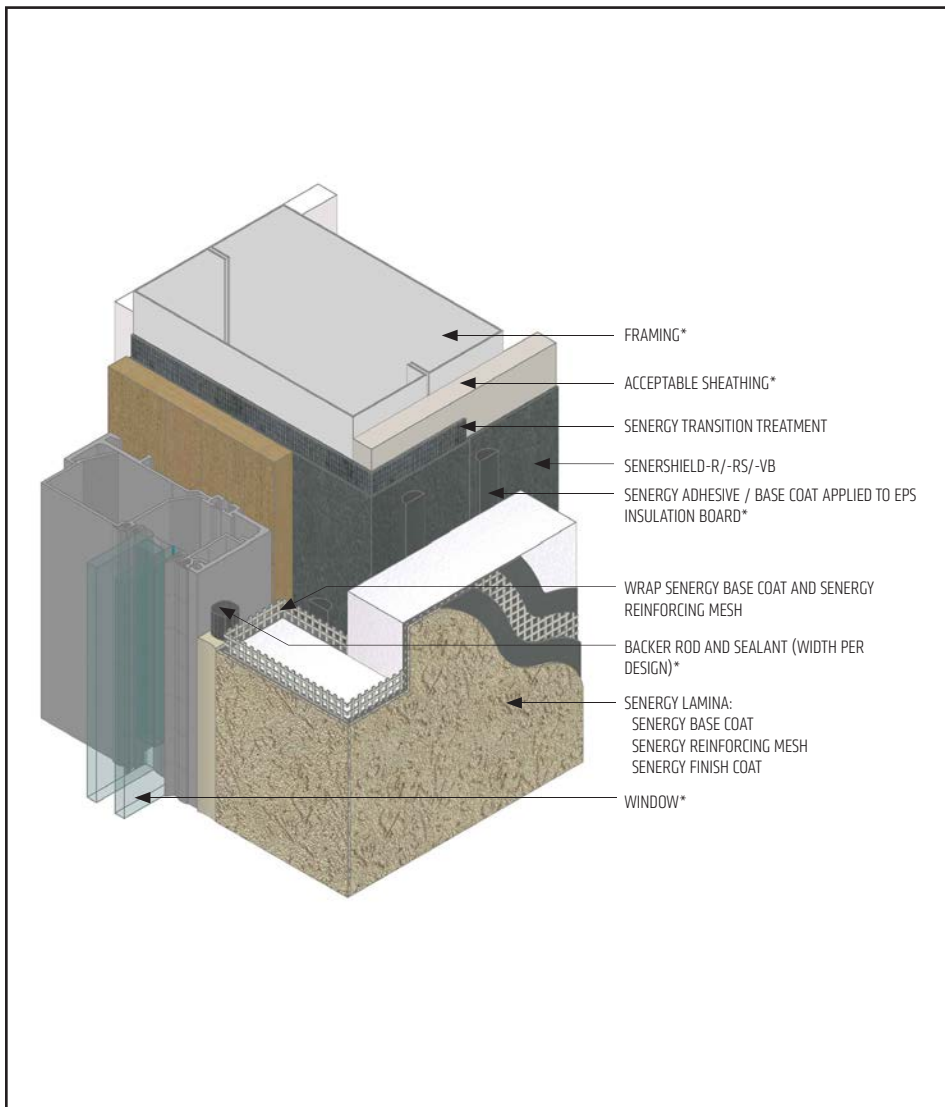
- All terminations must be fully encapsulated with mesh reinforced base coat. Pre-backwrapping is recommended at drainage terminations. Extend reinforcing mesh a minimum 2 1/2" onto back of insulation board.
- Do not apply finish to areas that will receive sealant.
- Ensure a means for drainage is provided at system termination at window head.
- Provide a back wrapped type joint with backer rod and sealant at system terminations to dissimilar materials, ensuring that a water tight seal is achieved (width per design).
- Prior to window and EPS installation, ensure water-resistive barrier is properly applied into the rough openings in accordance with Senergy application guidelines and code requirements. Reference Senergy Senershield published typical details for further information.
- Consult window and sealant manufacturers to verify window installation, detailing and to ensure no water leakage into the wall assembly.
- Reference *Acceptable Sealants for Use with Senergy Wall Systems* Technical Bulletin for a list of sealants.

The details within are latest recommendations and are represent in good faith by Sika Corporation US (hereinafter Sika). The details are subject to change without notice. Sika accepts no liability for the end use of the details. For conditions not shown, consult Sika for review of specific details.

- Install Sika materials in accordance with current installation instructions.
- Unsatisfactory conditions shall be reported to the General Contractor and corrected before the application of Sika products.

Channeled Adhesive CI Design

TYPICAL WINDOW JAMB (RECESSED)



CAD-25 2401

(*NOTE: BY OTHERS)

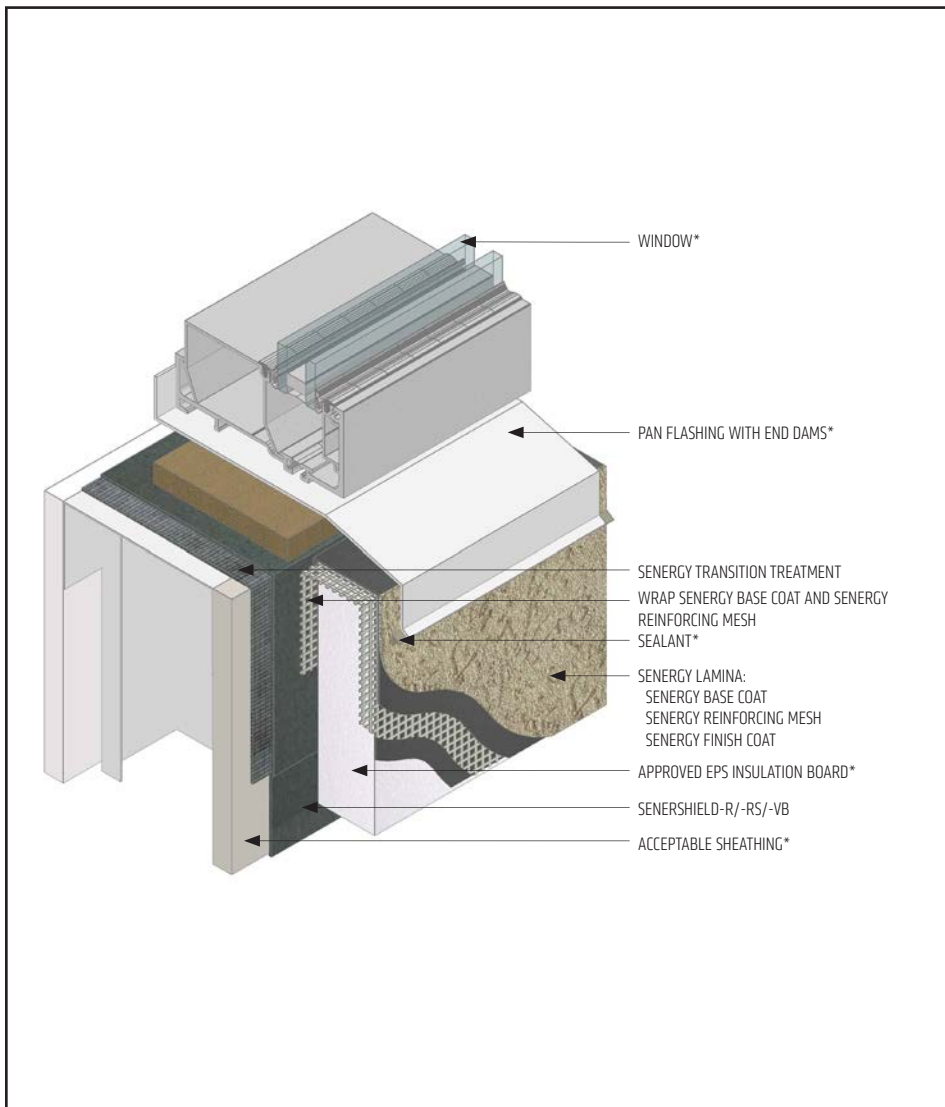
- All terminations must be fully encapsulated with mesh reinforced base coat. Extend reinforcing mesh a minimum of 2 1/2" onto back of insulation board.
- Prior to window and EPS installation, ensure water-resistive barrier is properly applied to the rough openings in accordance with Senergy application guidelines and code requirements. Reference Senergy Senershield published typical details for further information.
- Do not apply finish to areas that will receive sealant.
- Provide a back wrapped type joint with backer rod and sealant at system terminations to dissimilar materials, ensuring that a water tight seal is achieved (width per design).
- Senergy Transition Treatment Options: SikaWall Flash Seal MaxFlash, SikaWall Sheathing Fabric embedded in Senershield-R/-RS/-VB or SikaWall NP.
- Reference *Acceptable Sealants for use with Senergy Wall Systems* Technical Bulletin for a list of sealants.
- Consult window and sealant manufacturers to verify window installation, detailing and to ensure no water leakage into the wall assembly.

The details within are latest recommendations and are represent in good faith by Sika Corporation US (hereinafter Sika). The details are subject to change without notice. Sika accepts no liability for the end use of the details. For conditions not shown, consult Sika for review of specific details.

- Install Sika materials in accordance with current installation instructions.
- Unsatisfactory conditions shall be reported to the General Contractor and corrected before the application of Sika products.

Channeled Adhesive CI Design

TYPICAL WINDOW SILL (RECESSED)



CAD-26 2401

(*NOTE: BY OTHERS)

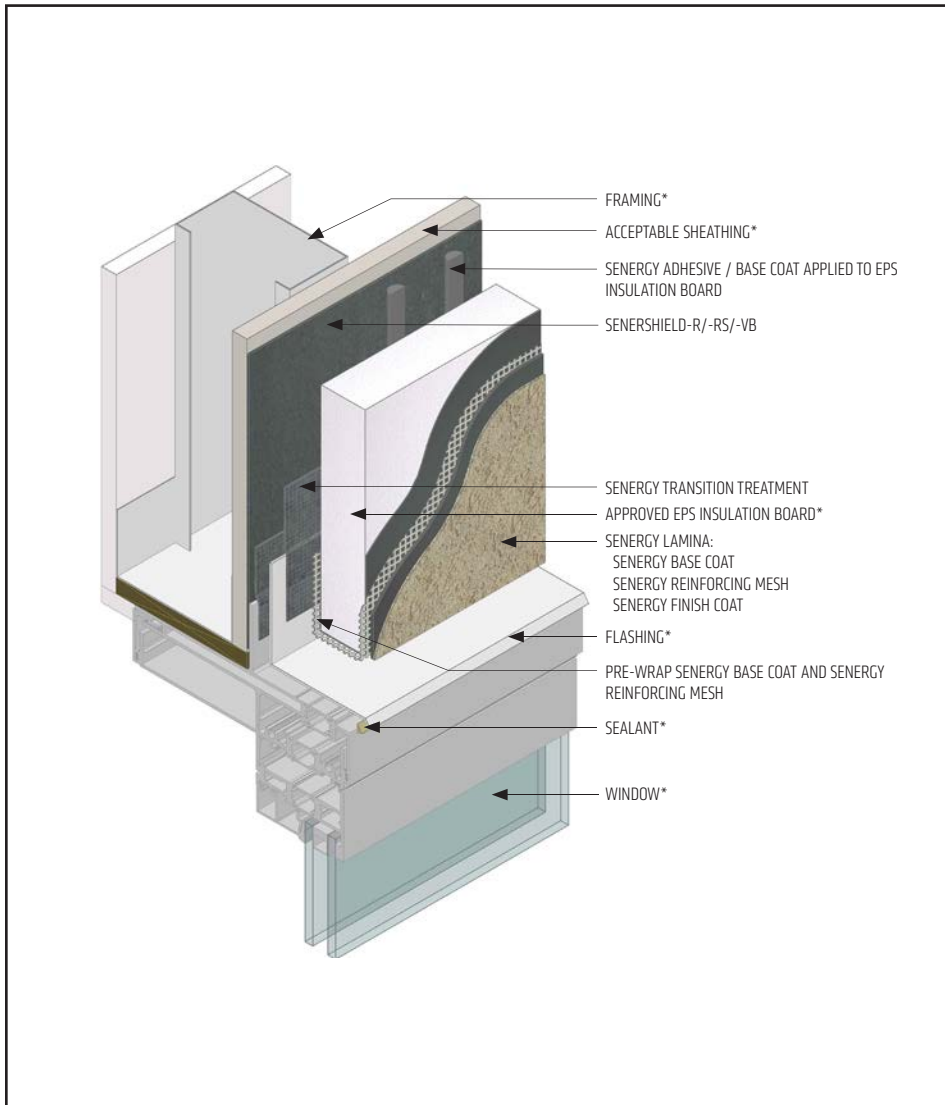
- All terminations must be fully encapsulated with mesh reinforced base coat. Extend reinforcing mesh a minimum of 2 1/2" onto back of insulation board.
- Ensure water-resistive barrier is properly applied into the rough openings in accordance with application guidelines and code requirements prior to EPS insulation board application.
- Ensure that metal pan flashing extends onto the system a minimum of 2" (50 mm) down the face and that end dams are provided.
- Senergy Transition Treatment Options: SikaWall MaxFlash, SikaWall Sheathing Fabric embedded in Senershield-R/-RS/-VB or SikaWall Flash Seal NP.
- Reference *Acceptable Sealants for use with Senergy Wall Systems* Technical Bulletin for a list of sealants.
- Consult window and sealant manufacturers to verify window installation, detailing and to ensure no water leakage into the wall assembly.

The details within are latest recommendations and are represent in good faith by Sika Corporation US (hereinafter Sika). The details are subject to change without notice. Sika accepts no liability for the end use of the details. For conditions not shown, consult Sika for review of specific details.

- Install Sika materials in accordance with current installation instructions.
- Unsatisfactory conditions shall be reported to the General Contractor and corrected before the application of Sika products.

Channeled Adhesive CI Design

TYPICAL FLANGED WINDOW HEAD



CAD-27 2401

(*NOTE: BY OTHERS)

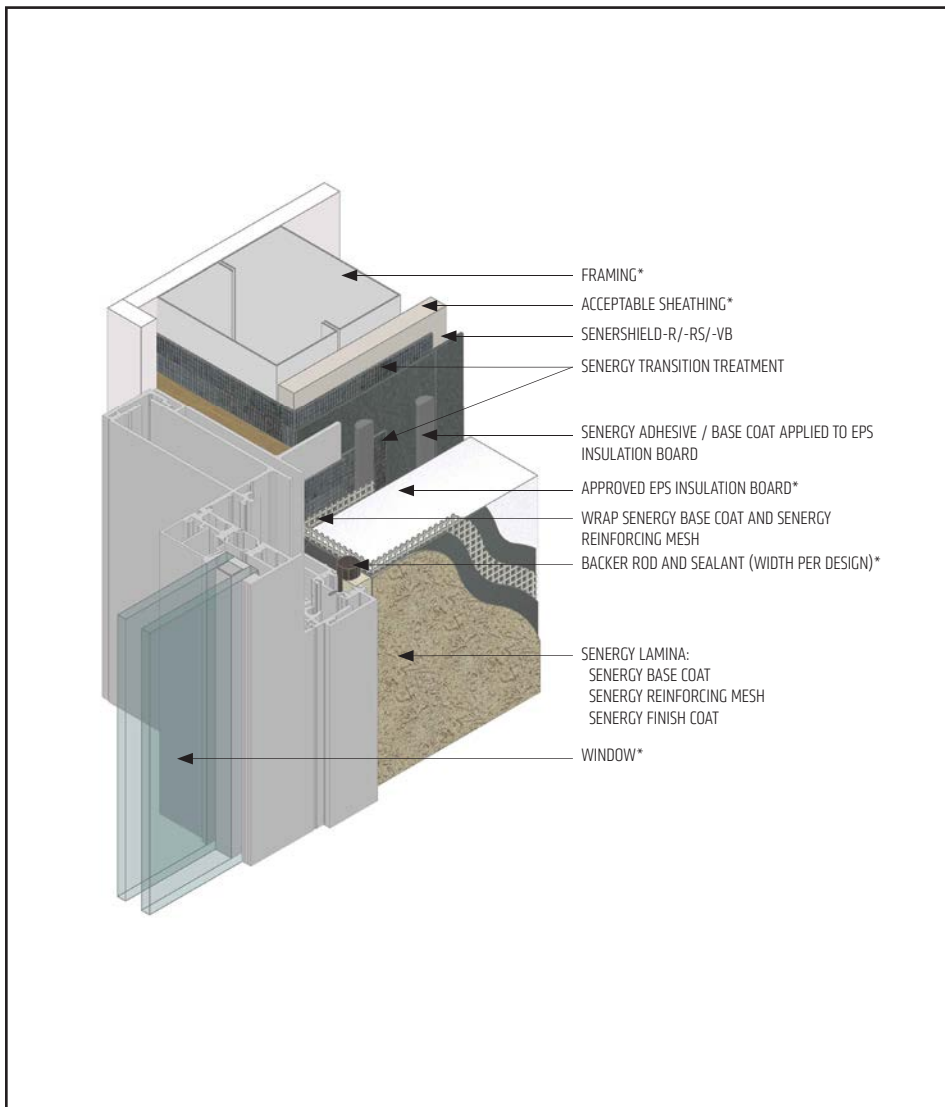
- All terminations must be fully encapsulated with mesh reinforced base coat. Pre-backwrapping is recommended at drainage terminations. Extend reinforcing mesh a minimum of 2 1/2" onto back of insulation board.
- Ensure the window flange is treated with a Senergy transition treatment.
- Ensure a means for drainage is provided at system termination at window head.
- Senergy Transition Treatment Options: SikaWall MaxFlash, SikaWall Sheathing Fabric embedded in Senershield-R/-RS/-VB or SikaWall Flash Seal NP.
- Prior to window and EPS installation, ensure water-resistive barrier is properly applied into the rough openings in accordance with Senergy application guidelines and code requirements. Reference Senergy Senershield published typical details for further information.
- Consult window and sealant manufacturers to verify window installation, detailing and to ensure no water leakage into the wall assembly.

The details within are latest recommendations and are represent in good faith by Sika Corporation US (hereinafter Sika). The details are subject to change without notice. Sika accepts no liability for the end use of the details. For conditions not shown, consult Sika for review of specific details.

- Install Sika materials in accordance with current installation instructions.
- Unsatisfactory conditions shall be reported to the General Contractor and corrected before the application of Sika products.

Channeled Adhesive CI Design

TYPICAL FLANGED WINDOW JAMB



CAD-28 2401

(*NOTE: BY OTHERS)

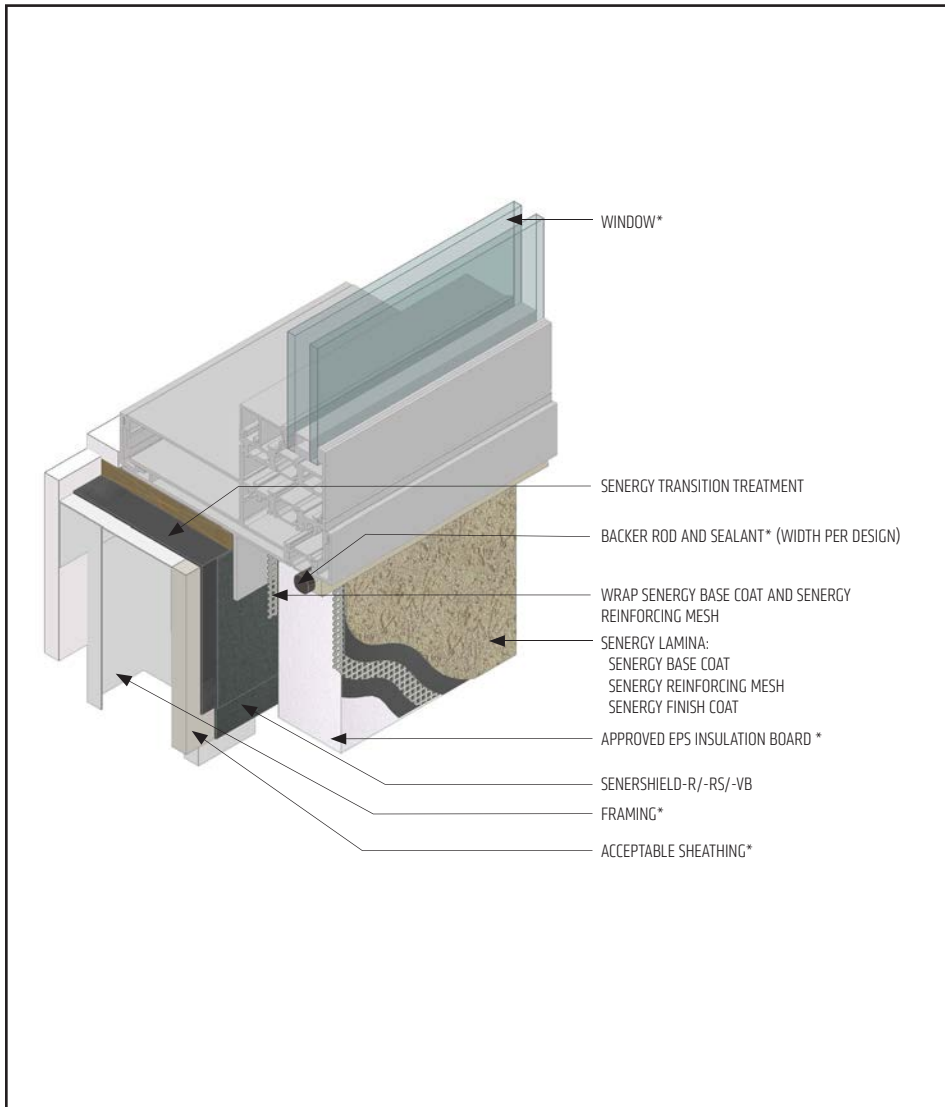
- All terminations must be fully encapsulated with mesh reinforced base coat. Extend reinforcing mesh a minimum of 2 1/2" onto back of insulation board.
- Ensure the window flange is treated with a Senergy transition treatment.
- Senergy Transition Treatment Options: SikaWall MaxFlash, SikaWall Sheathing Fabric embedded in Senershield-R/-RS/-VB or SikaWall Flash Seal NP.
- Do not apply finish to areas that will receive sealant.
- Provide a back wrapped type joint with backer rod and sealant at system terminations to dissimilar materials, ensuring that a water tight seal is achieved (width per design).
- Prior to window and EPS installation, ensure water-resistive barrier is properly applied into the rough openings in accordance with Senergy application guidelines and code requirements. Reference Senergy Senershield published typical details.
- Consult window and sealant manufacturers to verify window installation, detailing and to ensure no water leakage into the wall assembly.

The details within are latest recommendations and are represent in good faith by Sika Corporation US (hereinafter Sika). The details are subject to change without notice. Sika accepts no liability for the end use of the details. For conditions not shown, consult Sika for review of specific details.

- Install Sika materials in accordance with current installation instructions.
- Unsatisfactory conditions shall be reported to the General Contractor and corrected before the application of Sika products.

Channeled Adhesive CI Design

TYPICAL FLANGED WINDOW SILL



CAD-29 2401

(*NOTE: BY OTHERS)

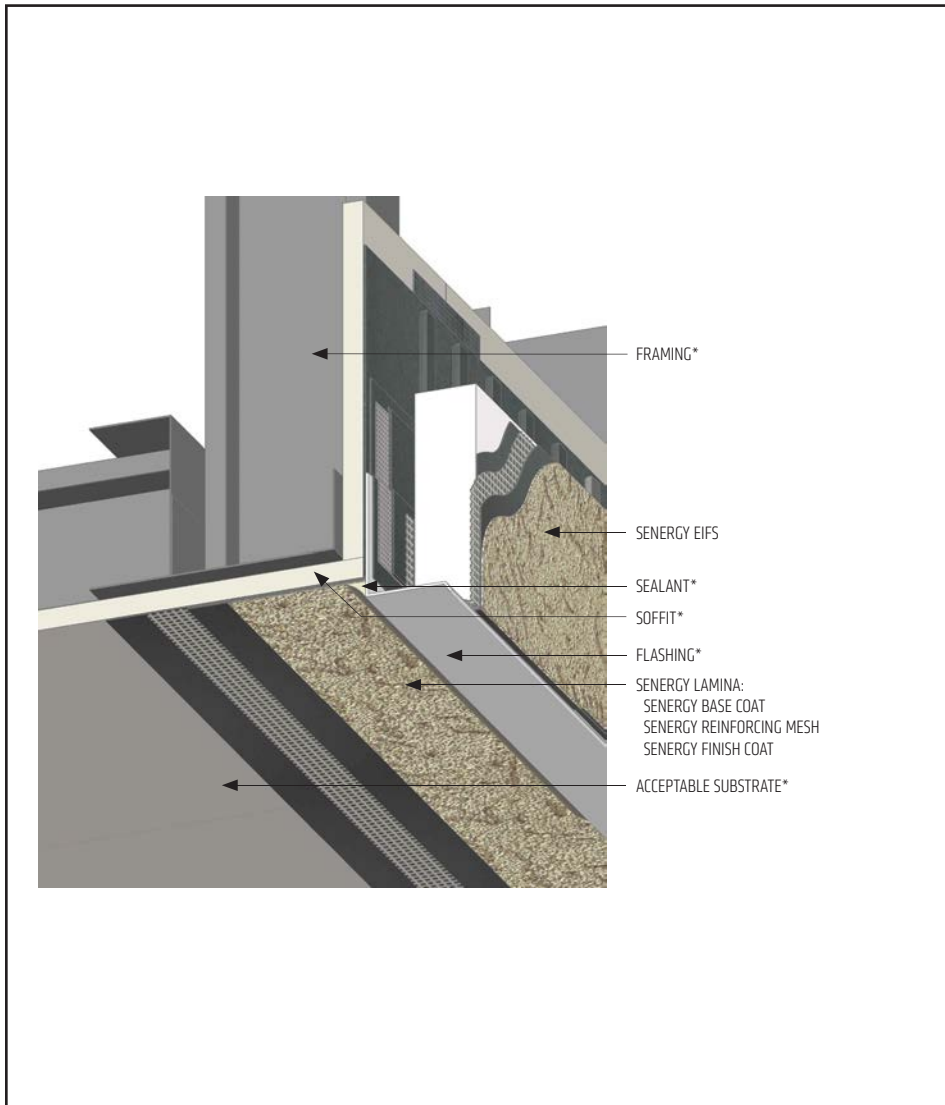
- All terminations must be fully encapsulated with mesh reinforced base coat. Extend reinforcing mesh a minimum of 2 1/2" onto back of insulation board.
- Ensure the window flange is left untreated for drainage.
- Senergy Transition Treatment Options: SikaWall MaxFlash, SikaWall Sheathing Fabric embedded in Senershield-R/-RS/-VB or SikaWall Flash Seal NP.
- Prior to window and EPS installation, ensure water-resistive barrier is properly applied into the rough openings in accordance with Senergy application guidelines and code requirements. Reference Senergy Senershield published typical details.
- Do not apply finish to areas that will receive sealant.
- Provide a back wrapped type joint with backer rod and sealant at system terminations to dissimilar materials, ensuring that a water tight seal is achieved (width per design).
- Reference *Acceptable Sealants for use with Senergy Wall Systems* Technical Bulletin for a list of sealants.
- Consult window and sealant manufacturers to verify window installation, detailing and to ensure no water leakage into the wall assembly.

The details within are latest recommendations and are represent in good faith by Sika Corporation US (hereinafter Sika). The details are subject to change without notice. Sika accepts no liability for the end use of the details. For conditions not shown, consult Sika for review of specific details.

- Install Sika materials in accordance with current installation instructions.
- Unsatisfactory conditions shall be reported to the General Contractor and corrected before the application of Sika products.

Channeled Adhesive CI Design

TYPICAL FASCIA TO DIRECT APPLIED SOFFIT



- Verify substrate is flat, free of fins or planar irregularities greater than 1/4" in 10".
- Install wall system first followed by lamina application at soffit.
- Ensure a means for drainage is provided at system termination at soffit.
- Extend flashing slightly below the level of the soffit to provide a surface for sealant application.
- Extend Senershield-R/-RS/-VB a minimum of 4" (100mm) onto soffit. If necessary for air barrier continuity Senershield-R/RS/VB can be applied over entire soffit.
- Reference Senergy Finishing System for Soffits and Ceilings published literature for additional information.

CAD-30 2401

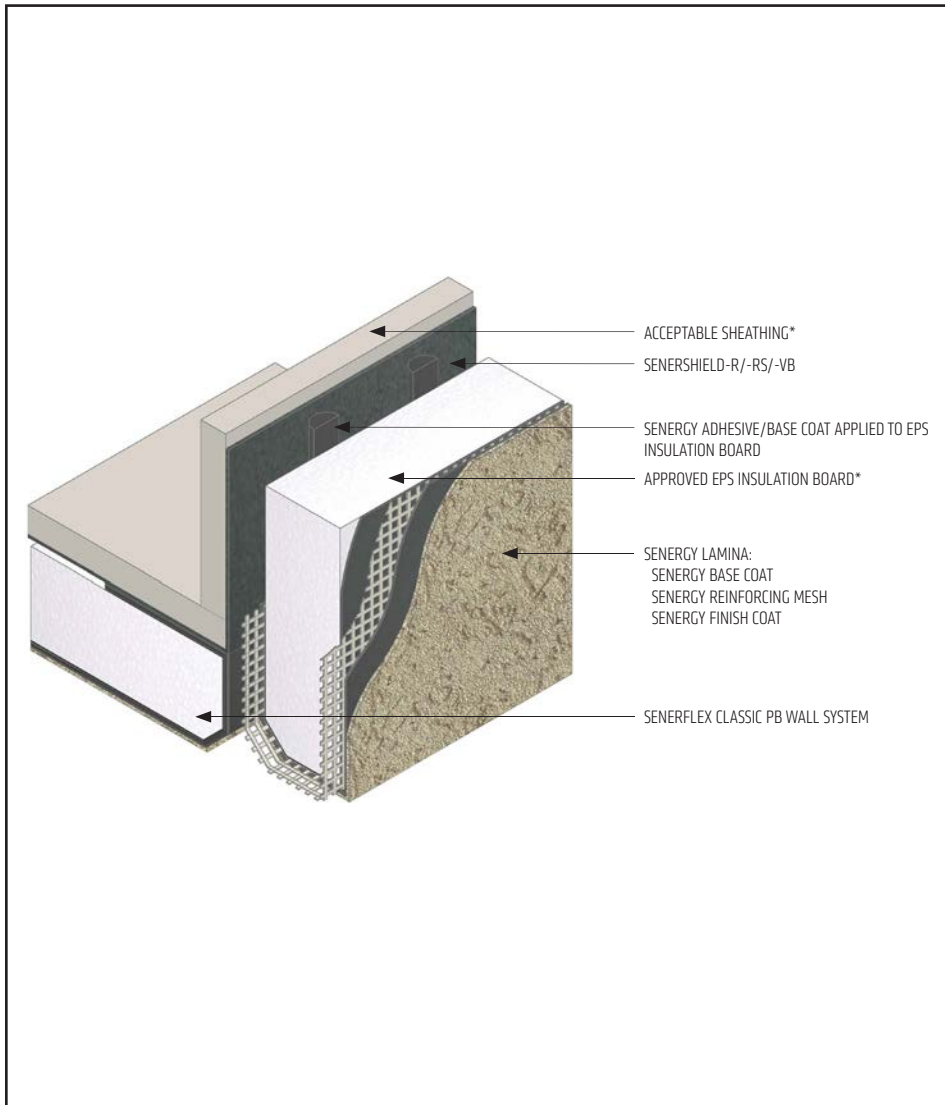
(*NOTE: BY OTHERS)

The details within are latest recommendations and are represent in good faith by Sika Corporation US (hereinafter Sika). The details are subject to change without notice. Sika accepts no liability for the end use of the details. For conditions not shown, consult Sika for review of specific details.

- Install Sika materials in accordance with current installation instructions.
- Unsatisfactory conditions shall be reported to the General Contractor and corrected before the application of Sika products.

Channeled Adhesive CI Design

TYPICAL FASCIA TO INSULATED SOFFIT



- All terminations must be fully encapsulated with mesh reinforced base coat. Pre-backwrap both the vertical and horizontal terminations. Extend reinforcing mesh a minimum of 2 1/2" onto back of insulation board.
- Extend Senersshield-R/-RS/-VB a minimum of 4" (100mm) onto soffit. If necessary for air barrier continuity Senersshield-R/-RS/-VB can be applied over entire soffit.
- Ensure a means of drainage is provided at system termination at soffit/fascia transition.

CAD-31 2401

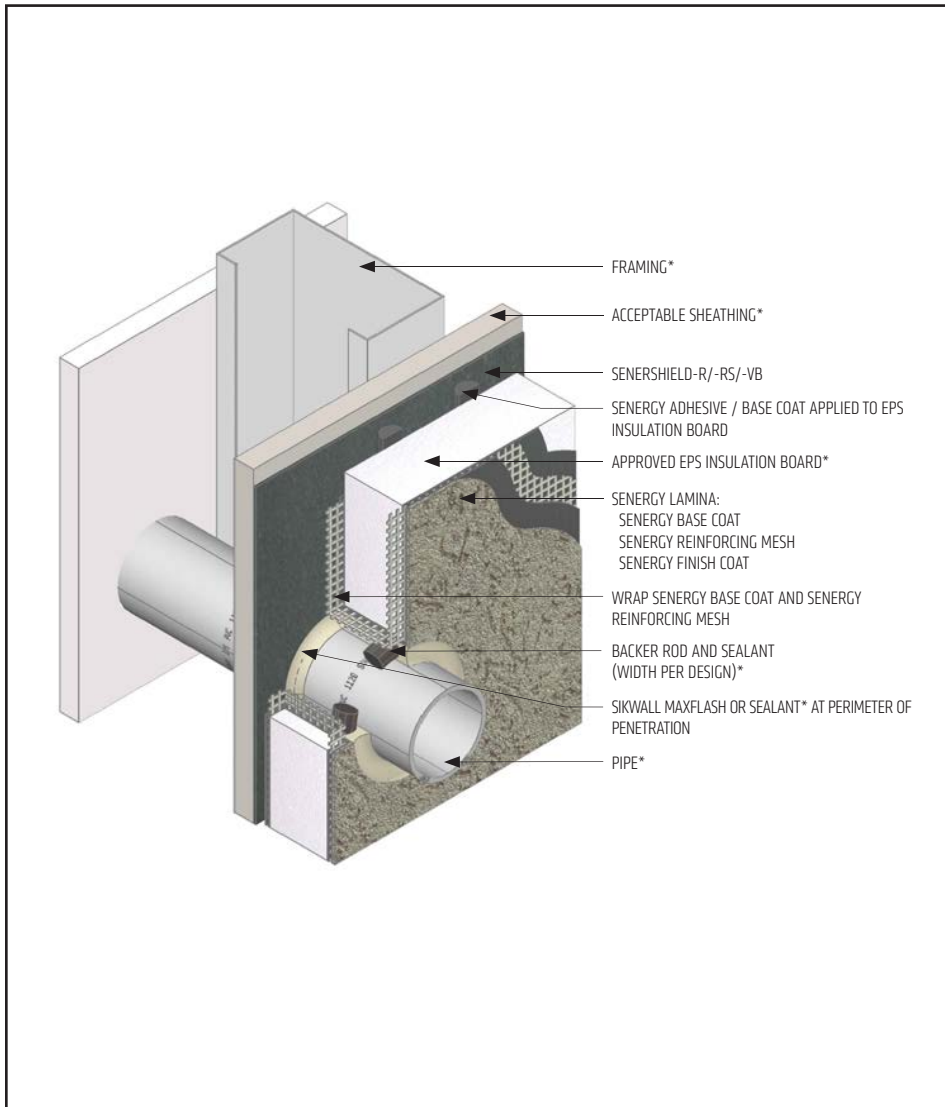
(*NOTE: BY OTHERS)

The details within are latest recommendations and are represent in good faith by Sika Corporation US (hereinafter Sika). The details are subject to change without notice. Sika accepts no liability for the end use of the details. For conditions not shown, consult Sika for review of specific details.

- Install Sika materials in accordance with current installation instructions.
- Unsatisfactory conditions shall be reported to the General Contractor and corrected before the application of Sika products.

Channeled Adhesive CI Design

TYPICAL PIPE PENETRATION



- All terminations must be fully encapsulated with mesh reinforced basecoat. Pre-backwrap both the vertical and horizontal terminations. Extend reinforcing mesh a minimum of 2 1/2" onto back of insulation board.
- Ensure all penetrations into the system are properly sealed. Reference *Acceptable Sealants to use with Senergy Wall Systems* Technical Bulletin for a list of sealants.
- Provide continuous air seal around perimeter of penetration prior to EPS insulation board application. Reference *Acceptable Sealants for use with Senershield-R/-RS/-VB* Technical Bulletin for a list of sealants.
- Do not apply finish to areas that will receive sealant.

CAD-32 2401

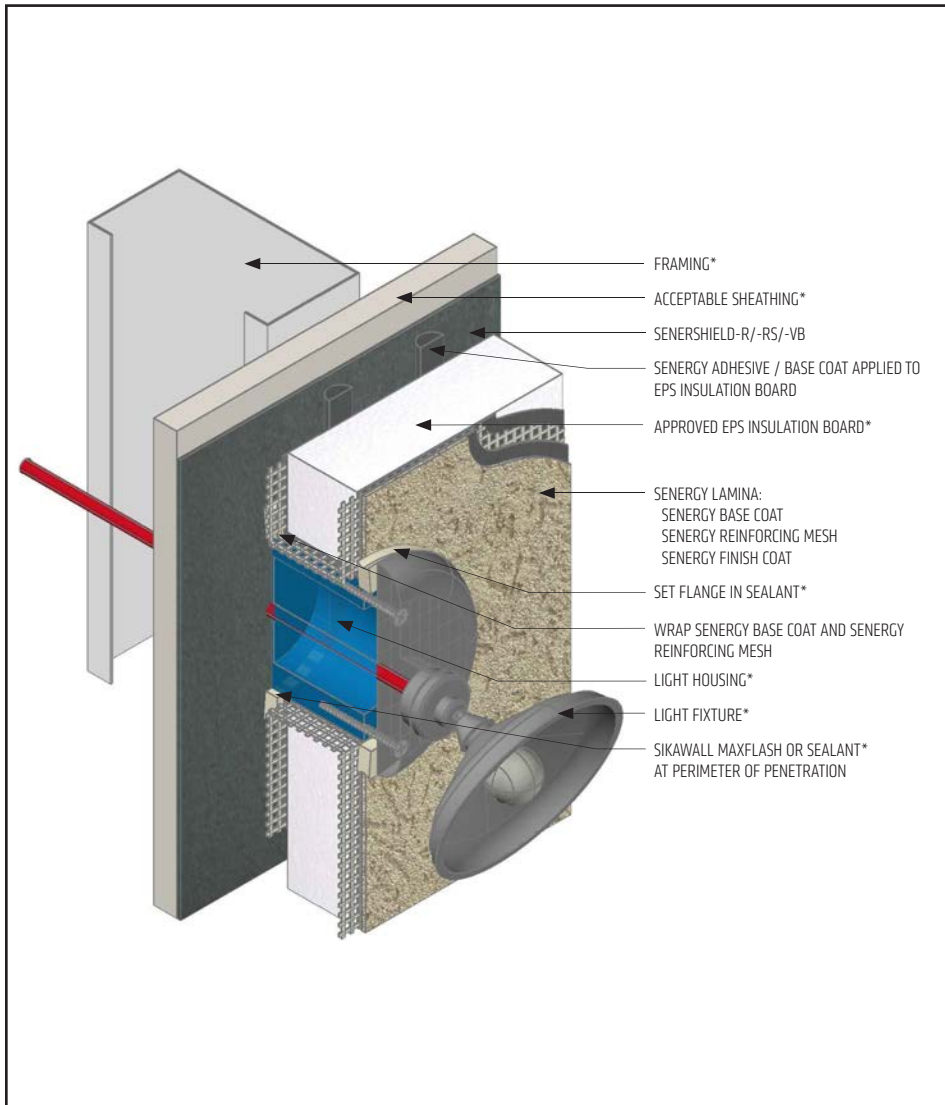
(*NOTE: BY OTHERS)

The details within are latest recommendations and are represent in good faith by Sika Corporation US (hereinafter Sika). The details are subject to change without notice. Sika accepts no liability for the end use of the details. For conditions not shown, consult Sika for review of specific details.

- Install Sika materials in accordance with current installation instructions.
- Unsatisfactory conditions shall be reported to the General Contractor and corrected before the application of Sika products.

Channeled Adhesive CI Design

TYPICAL LIGHT FIXTURE



- All terminations must be fully encapsulated with mesh reinforced base coat. Pre-backwrap both the vertical and horizontal terminations. Extend reinforcing mesh a minimum of 2 1/2" onto back of insulation board.
- Ensure all penetrations into the system are properly sealed.
- Reference *Acceptable Sealants to use with Senergy Wall Systems* Technical Bulletin for a list of sealants.
- Provide continuous air seal around perimeter of penetration prior to EPS insulation board application. Reference *Acceptable Sealants for use with Senershield-R/-RS/-VB* Technical Bulletin for a list of sealants.

CAD-33 2401

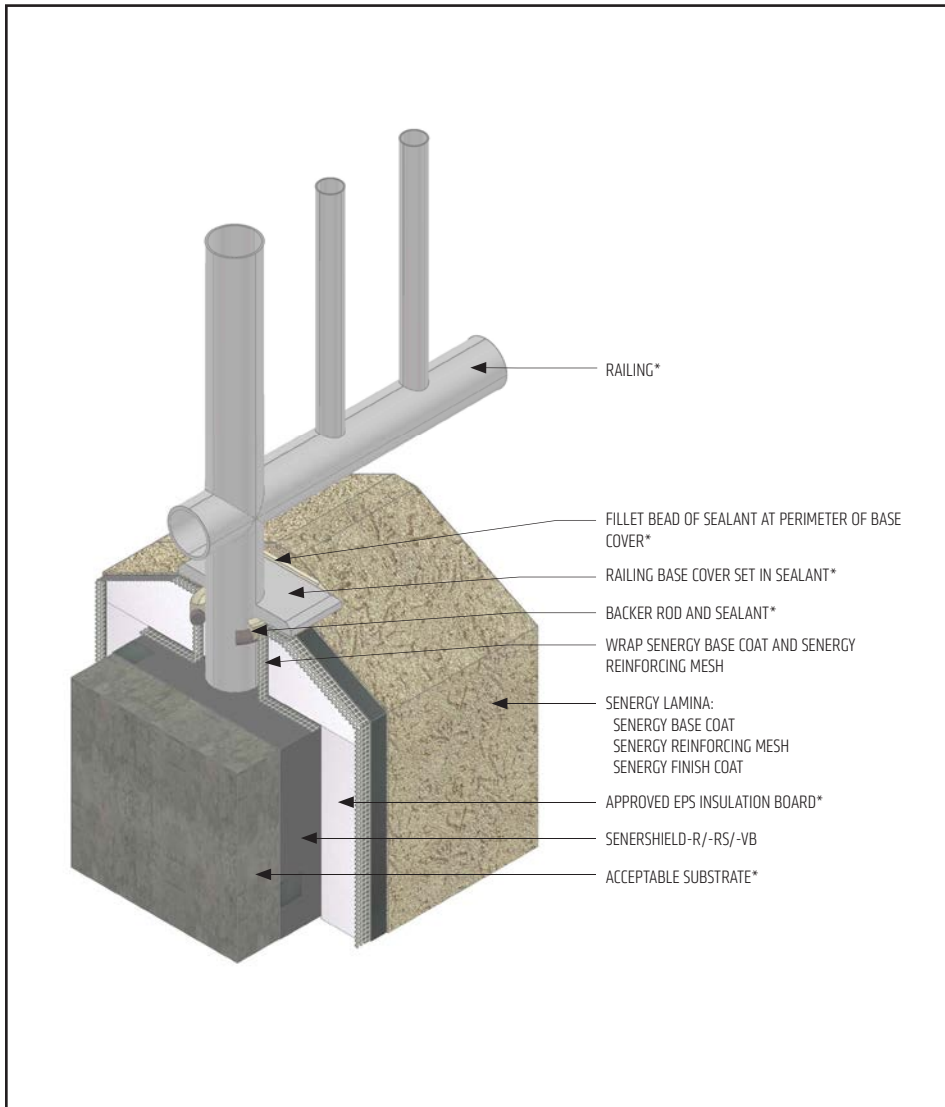
(*NOTE: BY OTHERS)

The details within are latest recommendations and are represent in good faith by Sika Corporation US (hereinafter Sika). The details are subject to change without notice. Sika accepts no liability for the end use of the details. For conditions not shown, consult Sika for review of specific details.

- Install Sika materials in accordance with current installation instructions.
- Unsatisfactory conditions shall be reported to the General Contractor and corrected before the application of Sika products.

Channeled Adhesive CI Design

TYPICAL CORE MOUNTED RAILING ATTACHMENT



CAD-34 2401

(*NOTE: BY OTHERS)

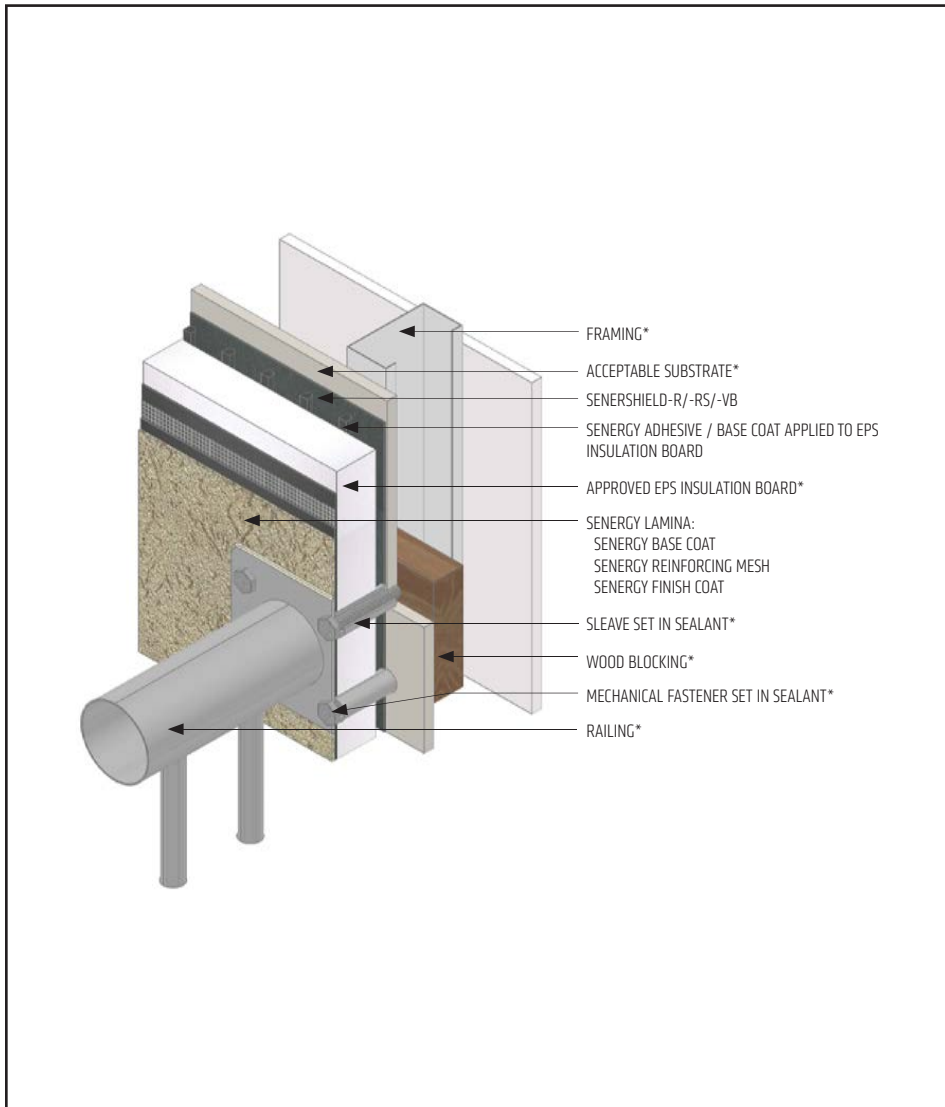
- All terminations must be fully encapsulated with mesh reinforced base coat. Pre-backwrap both the vertical and horizontal terminations. Extend reinforcing mesh a minimum of 2 1/2" onto back of insulation board.
- Ensure all penetrations into the system are properly sealed.
- Reference *Acceptable Sealants for use with Senergy Wall Systems* Technical Bulletin for a list of sealants.

The details within are latest recommendations and are represent in good faith by Sika Corporation US (hereinafter Sika). The details are subject to change without notice. Sika accepts no liability for the end use of the details. For conditions not shown, consult Sika for review of specific details.

- Install Sika materials in accordance with current installation instructions.
- Unsatisfactory conditions shall be reported to the General Contractor and corrected before the application of Sika products.

Channeled Adhesive CI Design

TYPICAL RAILING ATTACHMENT



- All terminations must be fully encapsulated with mesh reinforced base coat. Extend reinforcing mesh a minimum of 2 1/2" onto back of insulation board.
- Ensure all penetrations into the system are properly sealed.
- Reference *Acceptable Sealants for use with Senergy Wall Systems* Technical Bulletin for a list of sealants.

CAD-35 2401

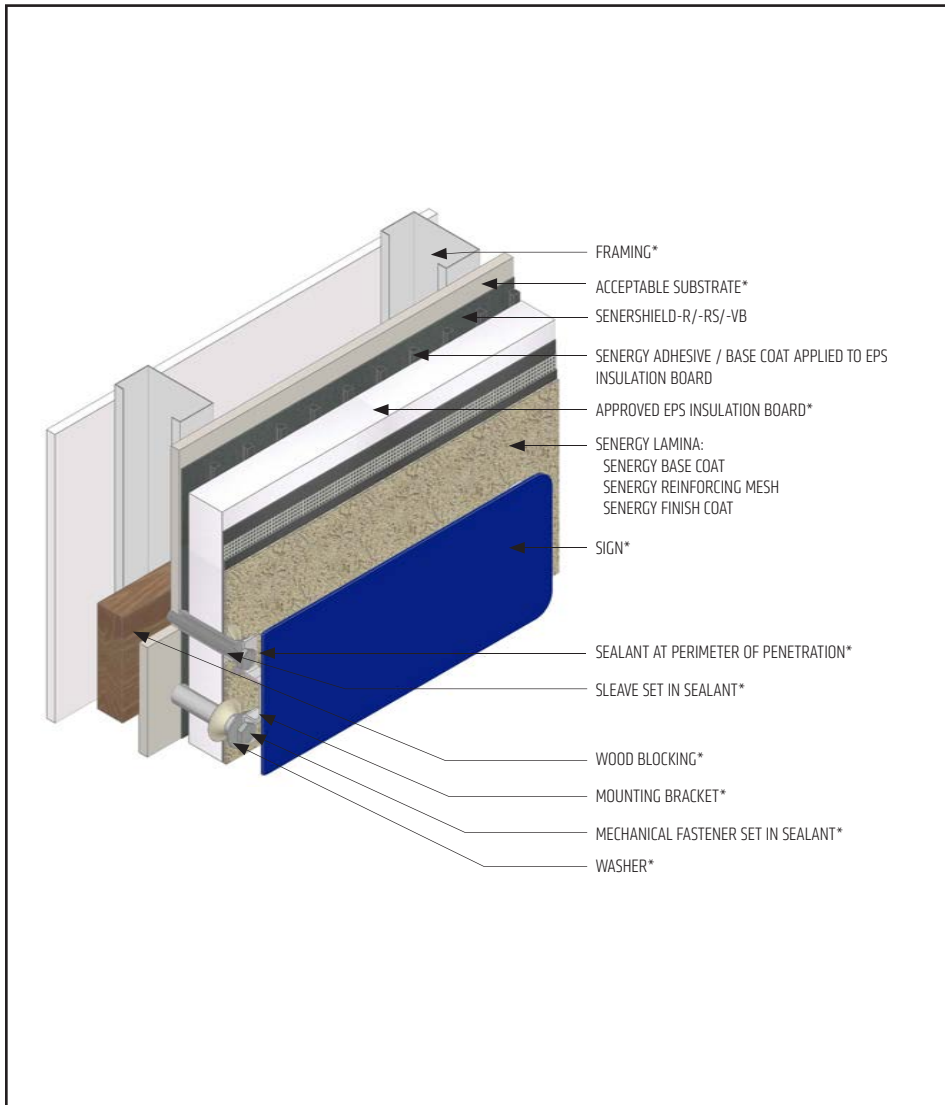
(*NOTE: BY OTHERS)

The details within are latest recommendations and are represent in good faith by Sika Corporation US (hereinafter Sika). The details are subject to change without notice. Sika accepts no liability for the end use of the details. For conditions not shown, consult Sika for review of specific details.

- Install Sika materials in accordance with current installation instructions.
- Unsatisfactory conditions shall be reported to the General Contractor and corrected before the application of Sika products.

Channeled Adhesive CI Design

TYPICAL SIGN ATTACHMENT



- All terminations must be fully encapsulated with mesh reinforced base coat. Extend reinforcing mesh a minimum of 2 1/2" onto back of insulation board.
- Ensure all penetrations into the system are properly sealed.
- Reference *Acceptable Sealants for use with Senergy Wall Systems* Technical Bulletin for a list of sealants.

CAD-36 2401

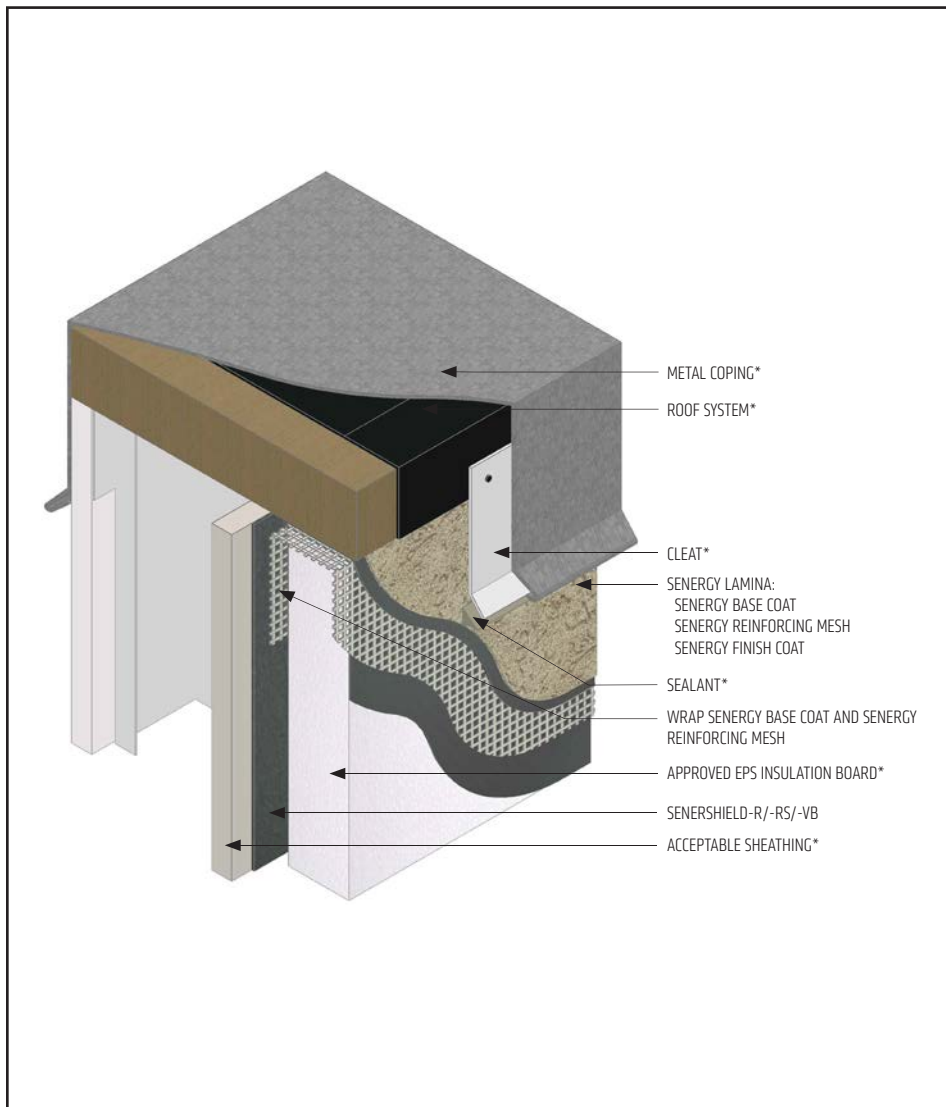
(*NOTE: BY OTHERS)

The details within are latest recommendations and are represent in good faith by Sika Corporation US (hereinafter Sika). The details are subject to change without notice. Sika accepts no liability for the end use of the details. For conditions not shown, consult Sika for review of specific details.

- Install Sika materials in accordance with current installation instructions.
- Unsatisfactory conditions shall be reported to the General Contractor and corrected before the application of Sika products.

Channeled Adhesive CI Design

TYPICAL COPING



- All terminations must be fully encapsulated with mesh reinforced base coat. Extend reinforcing mesh a minimum of 2 1/2" onto back of insulation board.
- Ensure that metal coping/ flashing extends onto the system a minimum of 2" (50 mm) down the face.
- Extend Senershield-R/-RS/-VB or SikaWall MaxFlash onto bottom of blocking or provide alternate air seal at sheathing termination to blocking.
- Reference *Acceptable Sealants for use with Senergy Wall Systems* Technical Bulletin for a list of sealants.

CAD-37 2401

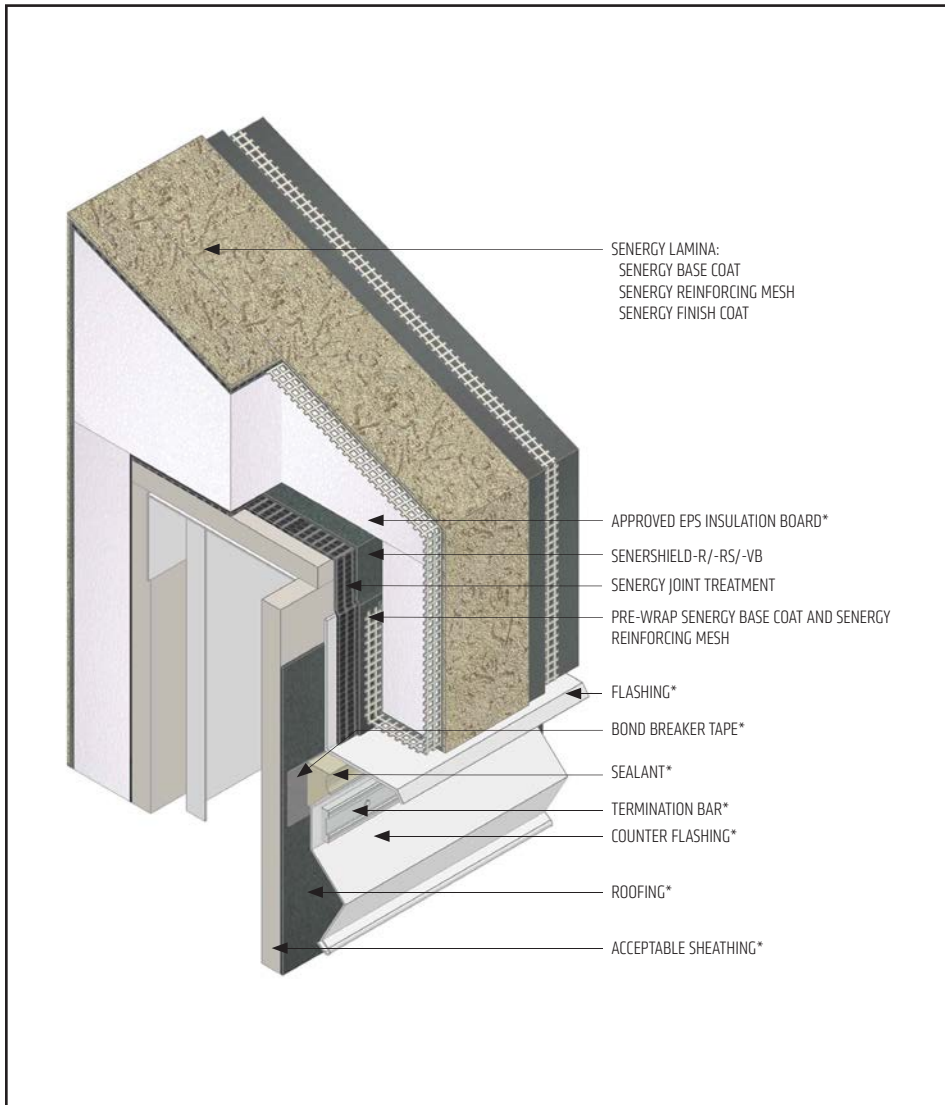
(*NOTE: BY OTHERS)

The details within are latest recommendations and are represent in good faith by Sika Corporation US (hereinafter Sika). The details are subject to change without notice. Sika accepts no liability for the end use of the details. For conditions not shown, consult Sika for review of specific details.

- Install Sika materials in accordance with current installation instructions.
- Unsatisfactory conditions shall be reported to the General Contractor and corrected before the application of Sika products.

Channeled Adhesive CI Design

TYPICAL WITH EPS PARAPET CAP



CAD-38 2401

(*NOTE: BY OTHERS)

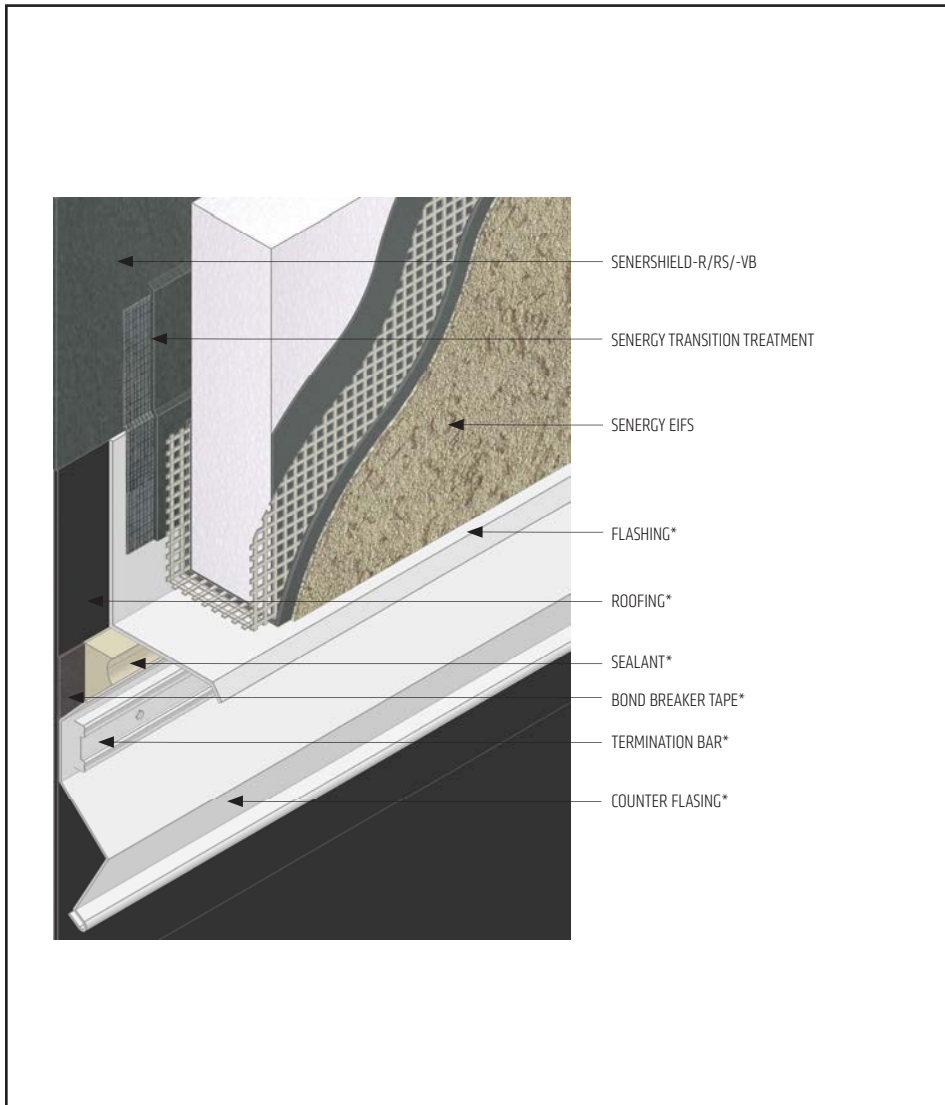
- All terminations must be fully encapsulated with mesh reinforced base coat. Pre-backwrapping is recommended at drainage terminations. Extend reinforcing mesh a minimum of 2 1/2" onto back of insulation board.
- Provide a minimum 6:12 slope for all horizontal surfaces. Senergy requires the use of a roofing system or metal cap flashing for sloped surfaces over 24" (610 mm).
- Additional layers of mesh reinforced base coat is recommended when sloped surfaces exceed 12" (305 mm).
- Ensure a means for drainage is provided at system termination.
- Terminate system a minimum of 8" (203 mm) above flat roof. Roofing material shall not extend above the flashing flange.
- Maintain a minimum 1" (25 mm) thick EPS insulation board.
- Senergy Joint Treatment Options: SikaWall MaxFlash, SikaWall Sheathing Fabric embedded in Senershield-R/-RS/-VB or SikaWall Flash Seal NP.
- Reference *Acceptable Sealants for use with Senergy Wall Systems* Technical Bulletin for a list of sealants.

The details within are latest recommendations and are represent in good faith by Sika Corporation US (hereinafter Sika). The details are subject to change without notice. Sika accepts no liability for the end use of the details. For conditions not shown, consult Sika for review of specific details.

- Install Sika materials in accordance with current installation instructions.
- Unsatisfactory conditions shall be reported to the General Contractor and corrected before the application of Sika products.

Channeled Adhesive CI Design

TYPICAL TERMINATION TO FLAT ROOF



- All terminations must be fully encapsulated with mesh reinforced base coat. Pre-backwrapping is recommended at drainage terminations. Extend reinforcing mesh a minimum of 2 1/2" onto back of insulation board.
- Ensure a means for drainage is provided at system termination.
- Terminate system a minimum of 8" (203 mm) above flat roof. Roofing material shall not extend above the flashing flange.
- Ensure roofing material terminates behind flashing.

CAD-39 2401

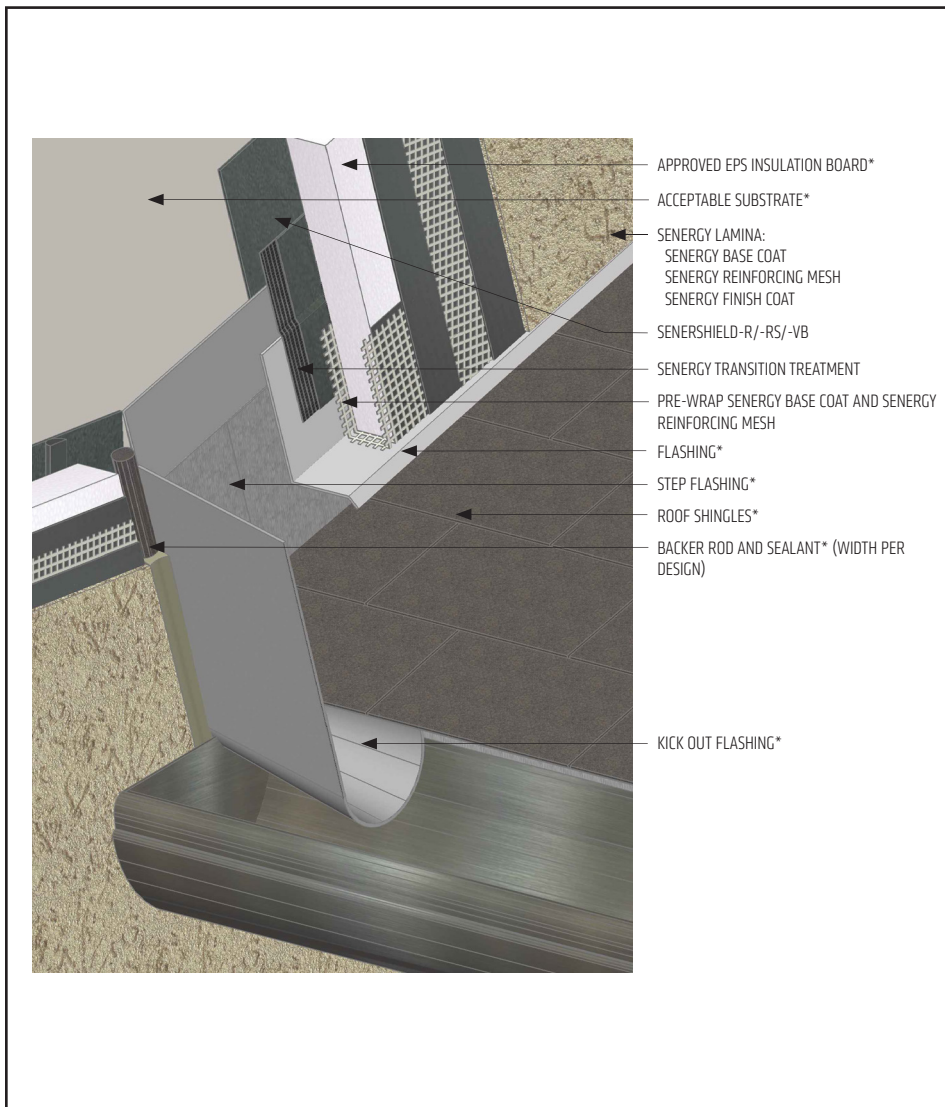
(*NOTE: BY OTHERS)

The details within are latest recommendations and are represent in good faith by Sika Corporation US (hereinafter Sika). The details are subject to change without notice. Sika accepts no liability for the end use of the details. For conditions not shown, consult Sika for review of specific details.

- Install Sika materials in accordance with current installation instructions.
- Unsatisfactory conditions shall be reported to the General Contractor and corrected before the application of Sika products.

Channeled Adhesive CI Design

TYPICAL KICK-OUT FLASHING AT SLOPED ROOF



- All terminations must be fully encapsulated with mesh reinforced base coat. Pre-backwrapping is recommended at drainage terminations. Extend reinforcing mesh a minimum of 2 1/2" onto back of insulation board.
- Ensure a means for drainage is provided at system termination at roof.
- Terminate system a minimum of 2" (50 mm) above sloped roof.
- Ensure step flashing is a minimum of 2" (50 mm) behind system.
- Kick-out flashing shall be a minimum of 4" (102 mm) in height.
- Do not apply finish to areas that will receive sealant.
- Senergy Transition Treatment Options: SikaWall MaxFlash, SikaWall Sheathing Fabric embedded in Senershield-R/-RS/-VB or SikaWall Flash Seal NP.
- Reference *Acceptable Sealants for use with Senergy Wall Systems* Technical Bulletin for a list of sealants.

CAD-40 2401

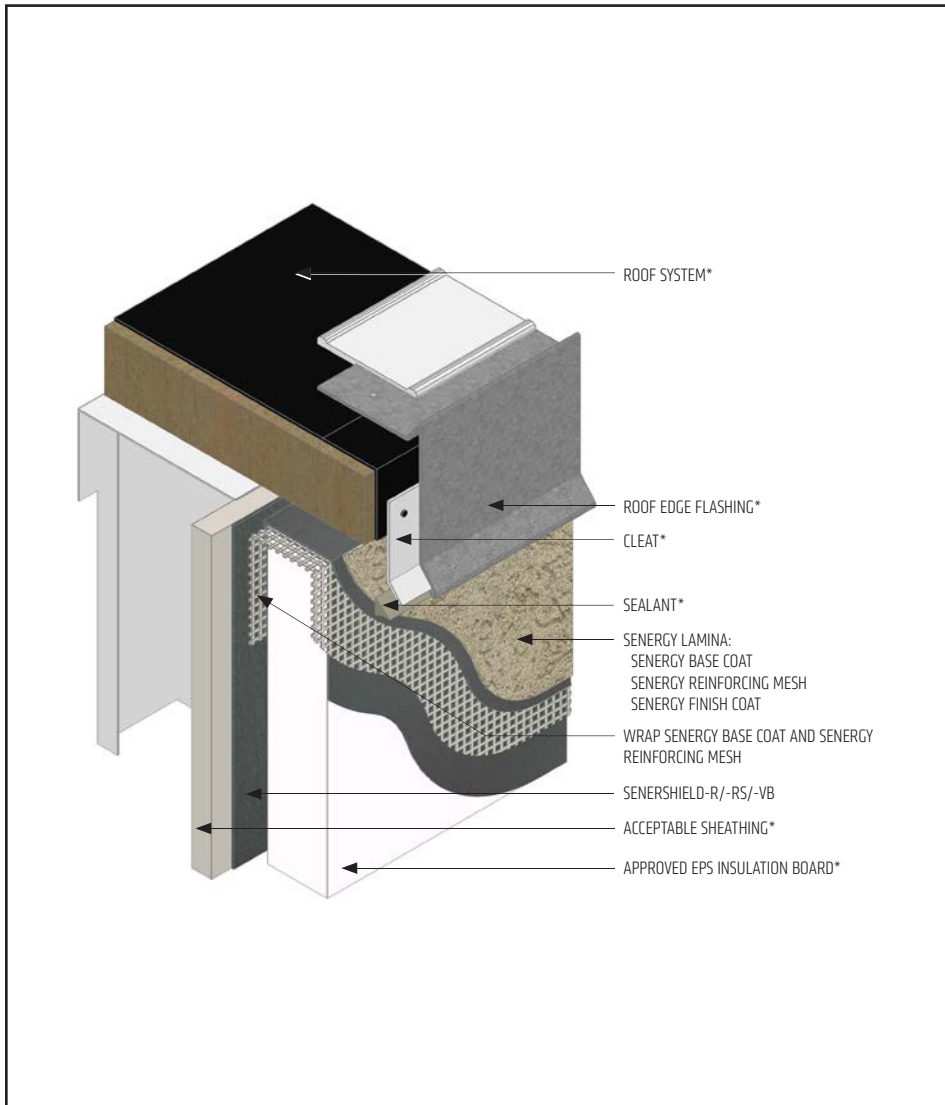
(*NOTE: BY OTHERS)

The details within are latest recommendations and are represent in good faith by Sika Corporation US (hereinafter Sika). The details are subject to change without notice. Sika accepts no liability for the end use of the details. For conditions not shown, consult Sika for review of specific details.

- Install Sika materials in accordance with current installation instructions.
- Unsatisfactory conditions shall be reported to the General Contractor and corrected before the application of Sika products.

Channeled Adhesive CI Design

TYPICAL ROOF EDGE FLASHING



- All terminations must be fully encapsulated with mesh reinforced base coat. Extend reinforcing mesh a minimum of 2 1/2" onto back of insulation board.
- Ensure that metal coping/flashing extends onto the system a minimum of 2" (50 mm) down the face.
- Extend Senershield-R/-RS/-VB or SikaWall MaxFlash onto bottom of blocking or provide alternate air seal at sheathing termination to blocking.
- Reference *Acceptable Sealants for use with Senergy Wall Systems* Technical Bulletin for a list of sealants.

CAD-41 2401

(*NOTE: BY OTHERS)

The details within are latest recommendations and are represent in good faith by Sika Corporation US (hereinafter Sika). The details are subject to change without notice. Sika accepts no liability for the end use of the details. For conditions not shown, consult Sika for review of specific details.

- Install Sika materials in accordance with current installation instructions.
- Unsatisfactory conditions shall be reported to the General Contractor and corrected before the application of Sika products.



LIMITED WARRANTY NOTICE

Prior to each use of any product of Sika Corporation, its subsidiaries or affiliates ("SIKA"), the user must always read and follow the warnings and instructions on the product's most current product label, Product Data Sheet and Safety Data Sheet which are available at usa.sika.com/senenergy or by calling our Technical Service Department at +1 (800) 589-1336.

Nothing contained in any SIKA literature or materials relieves the user of the obligation to read and follow the warnings and instructions for each SIKA product as set forth in the current product label, Product Data Sheet and Safety Data Sheet prior to use of the SIKA product.

SIKA warrants this product for one year from date of installation to be free from manufacturing defects and to meet the technical properties on the current Product Data Sheet if used as directed within the product's shelf life. User determines suitability of product for intended use and assumes all risks. User's and/or buyer's sole remedy shall be limited to the purchase price or replacement of this product exclusive of any labor costs. NO OTHER WARRANTIES EXPRESS OR IMPLIED SHALL APPLY INCLUDING ANY WARRANTY OF MERCHANTABILITY OR FITNESS FOR A PARTICULAR PURPOSE. SIKA SHALL NOT BE LIABLE UNDER ANY LEGAL THEORY FOR SPECIAL OR CONSEQUENTIAL DAMAGES. SIKA SHALL NOT BE RESPONSIBLE FOR THE USE OF THIS PRODUCT IN A MANNER TO INFRINGE ON ANY PATENT OR ANY OTHER INTELLECTUAL PROPERTY RIGHTS HELD BY OTHERS. Sale of SIKA products are subject to the Terms and Conditions of Sale which are available at usa.sika.com.

For the most current version of this literature, please visit our website at usa.sika.com/senergy.

Sika Corporation

201 Polito Avenue
Lyndhurst, NJ 07071 USA
Customer Service +1 (800) 433-9517
Technical Service +1 (800) 589-1336
usa.sika.com/senergy

Rev April 2024

BUILDING TRUST

