



SikaTile®-225 Fracture Guard PNS

40 MIL PEEL AND STICK SOUND CONTROL AND CRACK ISOLATION SHEET MEMBRANE

- Crack Isolation to 3/8"
- Reduces Sound Transmission
- Moisture Vapor Barrier up to 5 lbs. per 1,000 sq. ft in 24 hours
- **Packaging:** 225 sqft - 3' x 75' roll

Standards

- Exceeds ANSI A118.12

Attributes Include:



BUILDING TRUST



SikaTile[®]-225 Fracture Guard PNS

40 MIL PEEL AND STICK SOUND CONTROL AND CRACK ISOLATION SHEET MEMBRANE

WHERE TO USE

- Residential (homes, apartments, and condominiums) and commercial (airports, malls, office buildings, restaurants, and galleries) floors, both interior and exterior (with proper drainage)
- Ideal for multi-family or multi-story buildings to reduce noise transmission through floors.

RECOMMENDED SUBSTRATES

- SikaTile[®]-225 Fracture Guard PNS can be installed in most interior and exterior residential and commercial installations on floors over the following recommended substrates: Cement Backer Board¹ • Cement Mortar Beds (cured) • Cement Plaster • Cement Terrazzo • Ceramic Tile and Stone • Concrete • Exterior Grade Plywood² • Lightweight Gypsum Concrete² • SikaLevel[®] Products
- 1 Consult cement backer board manufacturer for installation recommendations and to verify acceptability for exterior use.
2 Interior Use Only.

APPROXIMATE COVERAGE

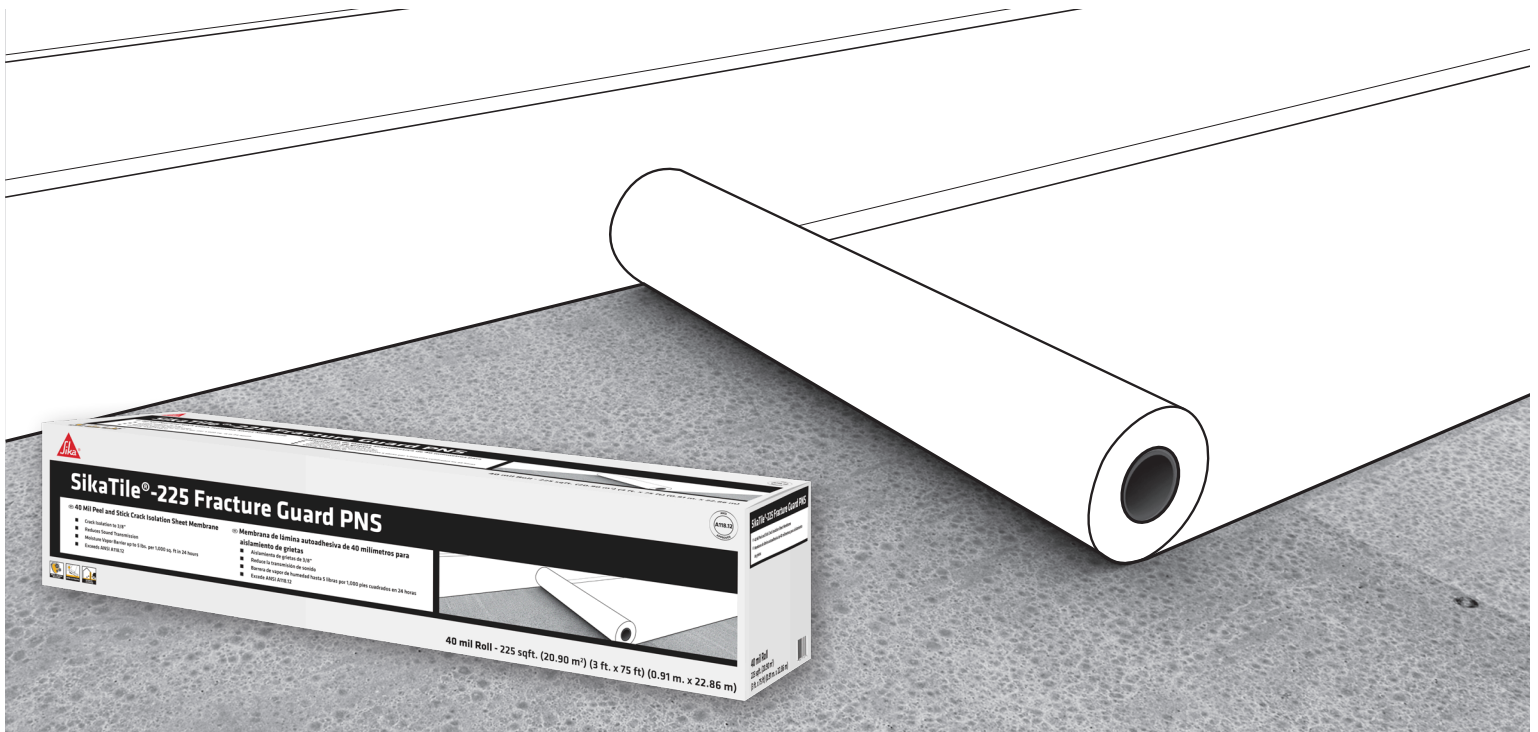
225 sqft. - 3' x 75' roll

FEATURES AND BENEFITS

- Crack Isolation to 3/8"
- Reduces Sound Transmission
- Moisture Vapor Barrier up to 5 lbs. per 1,000 sq. ft in 24 hours
- Easy to position, cut-to-size and install
- Rapid installation - Prime, peel, stick and then immediately install tile, stone, or wood
- Interior or exterior
- Mold and mildew resistant

NOTE: Always refer to Current Product data Sheet and SDS for detailed performance specifications prior to use.

| PROPERTY | TEST METHOD | TYPICAL RESULTS |
|-----------------------------|-------------|------------------|
| Total Thickness | - | 40 mils (1 mm) |
| Fabric Thickness | - | 30 mils (.76 mm) |
| Adhesion to Plywood | ASTM D1790 | 8 lbs. per inch |
| Adhesion to Primed Concrete | ASTM D903 | 10 lbs. per inch |
| Elongation | ASTM D882 | > 350% |
| Pliability | ASTM D146 | Pass |
| Tensile MD | ASTM D1682 | > 1,270 psi |



FOR MORE INFORMATION:

Contact Sika: Phone 800.933.SIKA(7452) Website: www.SikaTile.com

Sika Corporation
201 Polito Avenue
Lyndhurst, NJ 07071
Phone: 201-933-8800
Fax: 201-933-6225

BUILDING TRUST

