

Senergy[®]



Senerflex Platinum CI

Exterior cladding System featuring
GPS Rigid Insulation Board

Typical Details

BUILDING TRUST



Senerflex Platinum CI

Typical Details

Table of Contents

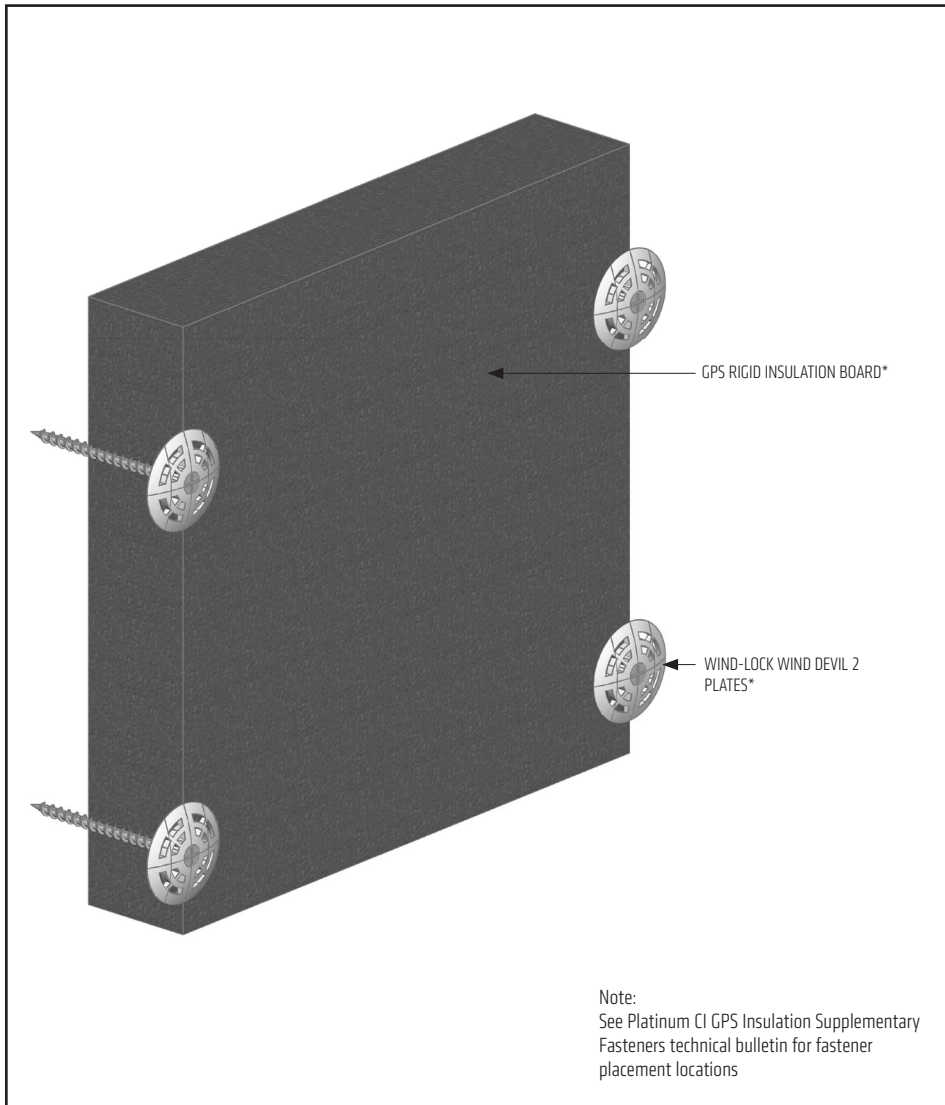
1. Adhesive Ribbon Application with Supplementary Fasteners (Front Elevation)
2. Adhesive Ribbon Application with Supplementary Fasteners (Rear Elevation)
3. Application over Sheathing
4. Application over CMU / Concrete
5. Application over Brick
6. Termination at Foundation
7. Termination at Foundation (Flush)
8. Aesthetic Reveal
9. Mesh Application with Flexguard 4, Intermediate 6 or 12
10. Expansion Joint at Change in Substrate
11. Expansion Joint
12. Expansion Joint at Floorline
13. Drainage at Floorline
14. Window Head (Recessed)
15. Window Head (Flush)
16. Window Head with Weep Tubes (Flush)
17. Window Jamb (Recessed)
18. Window Jamb (Flush)
19. Window Sill (Recessed)
20. Window Sill (Flush)
21. Light Fixture
22. Pipe Penetration
23. Railing Attachment
24. Sign Attachment
25. Application Direct Applied at Fascia/Soffit
26. Section at Fascia/Soffit
27. Coping / Roof Edge Flashing
28. Parapet Cap
29. Kick-Out Flashing

Notes:

- **The details within are the latest recommendations and are represent in good faith by Sika Corporation US (hereinafter Sika). The details are subject to change without notice. Sika accepts no liability for the end use of the details. For conditions not shown, consult Sika for review of specific details.**
- **Install Sika materials in accordance with current installation instructions.**
- **Unsatisfactory conditions shall be reported to the General Contractor and corrected before the application of Sika products.**

Senerflex Platinum CI Details

TYPICAL ADHESIVE RIBBON APPLICATION WITH SUPPLEMENTARY FASTENERS (FRONT ELEVATION)



- Apply mixed base coat to entire surface of insulation board using a stainless steel trowel with 1/2" x 1/2" (13 mm x 13 mm) notches spaced 2" (50 mm) apart. Ribbons of adhesive must be applied parallel to the 2" (610 mm) dimension of the GPS Rigid Insulation Board to ensure they are vertical when the GPS Rigid Insulation Board is applied to the substrate.
- Set GPS Rigid Insulation Board into place and apply pressure over entire surface of board to ensure positive uniform contact and high initial grab. Do not slide board into place.
- GPS Rigid Insulation Board requires supplementary fasteners installed immediately after the board is adhesively attached and prior to the drying of the adhesive/base coat.

PCI-01 2401

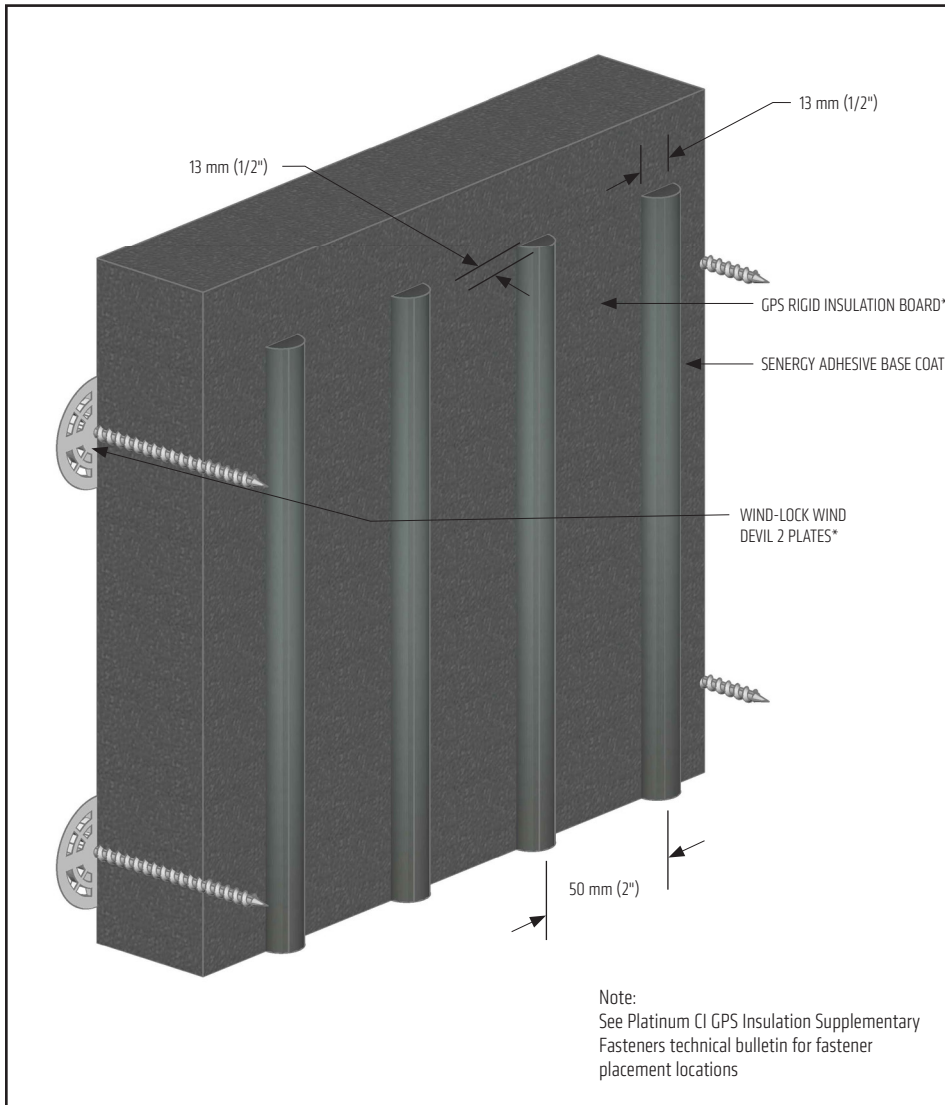
(*NOTE: BY OTHERS)

The details within are latest recommendations and are represent in good faith by Sika Corporation US (hereinafter Sika). The details are subject to change without notice. Sika accepts no liability for the end use of the details. For conditions not shown, consult Sika for review of specific details.

- Install Sika materials in accordance with current installation instructions.
- Unsatisfactory conditions shall be reported to the General Contractor and corrected before the application of Sika products.

Senerflex Platinum CI Details

TYPICAL ADHESIVE RIBBON APPLICATION WITH SUPPLEMENTARY FASTENERS (REAR ELEVATION)



- Apply mixed base coat to entire surface of insulation board using a stainless steel trowel with 1/2" x 1/2" (13 mm x 13 mm) notches spaced 2" (50 mm) apart. Ribbons of adhesive must be applied parallel to the 2" (610 mm) dimension of the GPS Rigid Insulation Board to ensure they are vertical when the GPS Rigid Insulation Board is applied to the substrate.
- Set GPS Rigid Insulation Board into place and apply pressure over entire surface of board to ensure positive uniform contact and high initial grab. Do not slide board into place.
- GPS Rigid Insulation Board requires supplementary fasteners installed immediately after the board is adhesively attached and prior to the drying of the adhesive/base coat.

PCI-02 2401

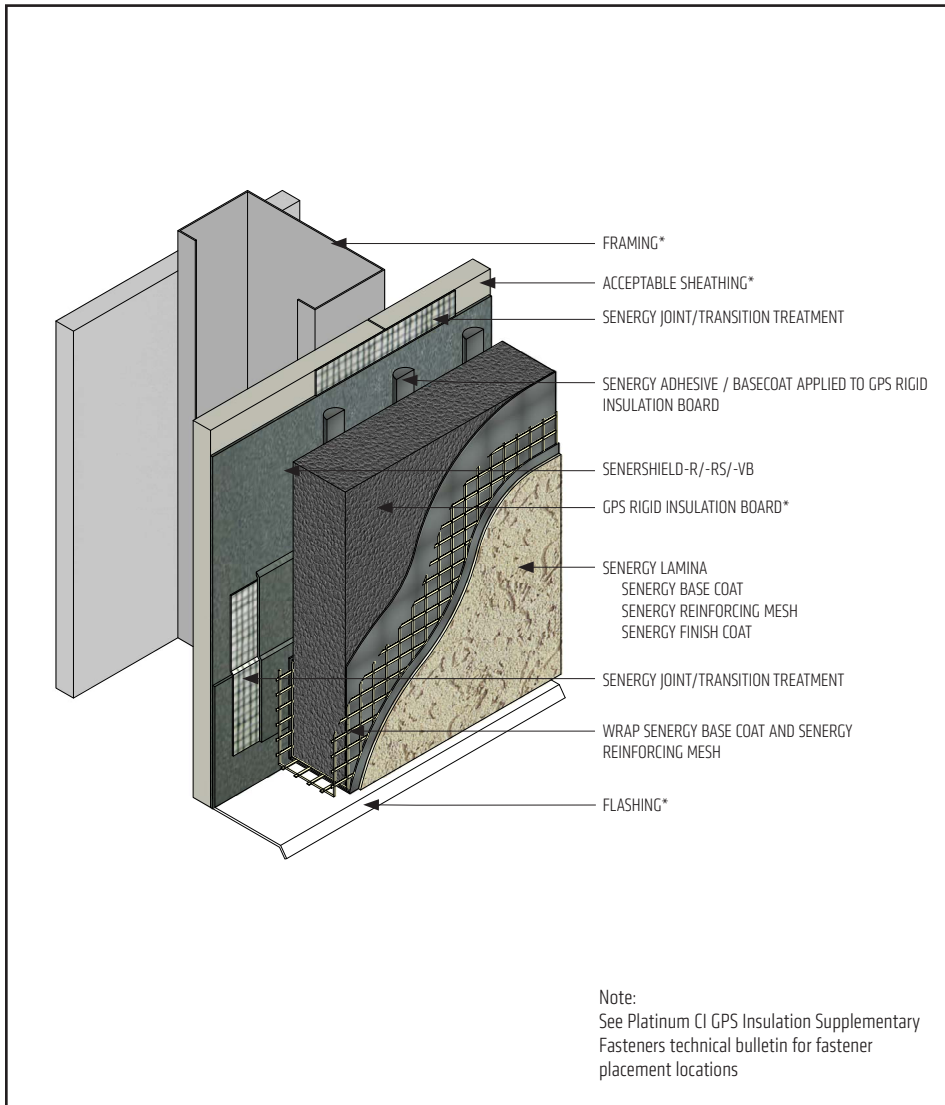
(*NOTE: BY OTHERS)

The details within are latest recommendations and are represent in good faith by Sika Corporation US (hereinafter Sika). The details are subject to change without notice. Sika accepts no liability for the end use of the details. For conditions not shown, consult Sika for review of specific details.

- Install Sika materials in accordance with current installation instructions.
- Unsatisfactory conditions shall be reported to the General Contractor and corrected before the application of Sika products.

Senerflex Platinum CI Details

TYPICAL APPLICATION OVER SHEATHING



- All terminations must be fully encapsulated with mesh reinforced base coat.
- Ensure a means for drainage is provided at system termination.
- GPS Rigid Insulation Board requires supplementary fasteners installed immediately after the board is adhesively attached and prior to the drying of the adhesive/base coat.
- Senergy Joint/Transition Treatment Options: SikaWall MaxFlash, SikaWall Sheathing Fabric embedded in Senershield-R/-RS/-VB or SikaWall Flash Seal NP

PCI-03 2401

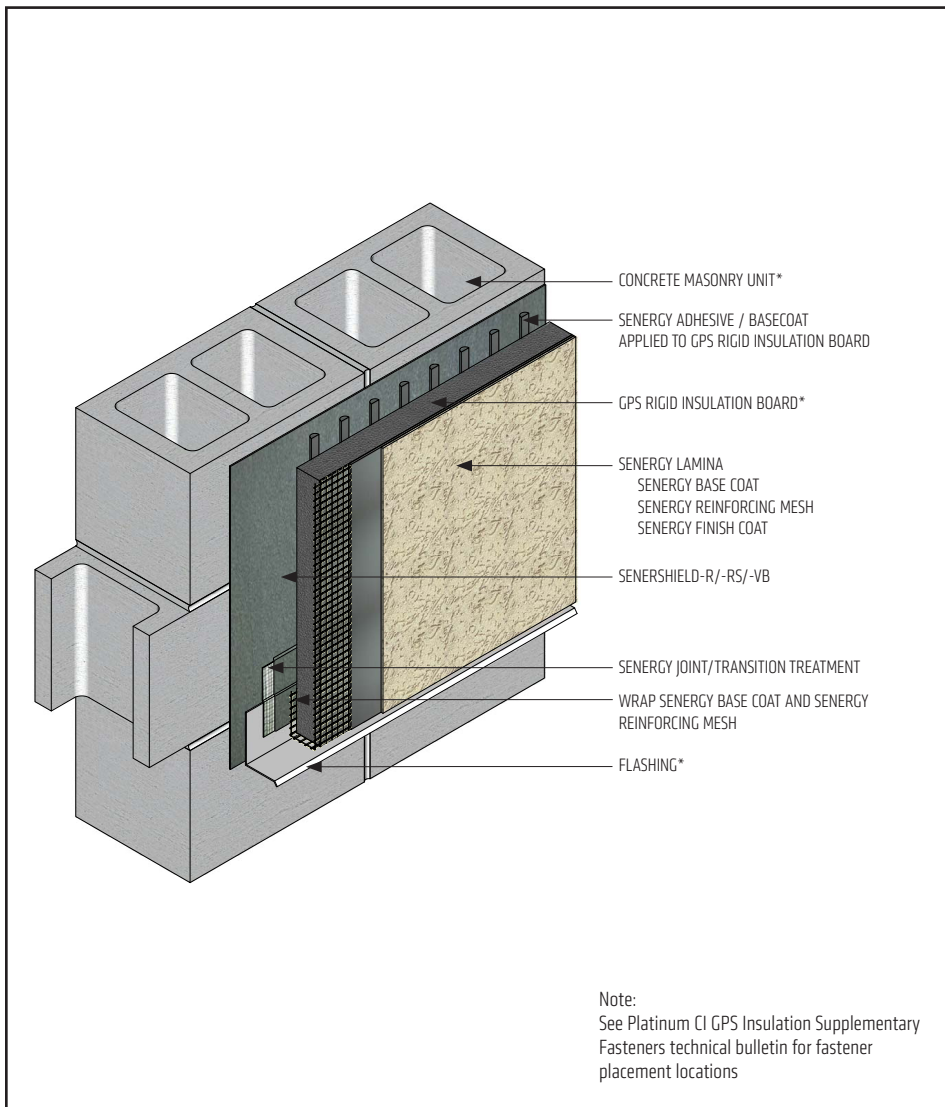
(*NOTE: BY OTHERS)

The details within are latest recommendations and are represent in good faith by Sika Corporation US (hereinafter Sika). The details are subject to change without notice. Sika accepts no liability for the end use of the details. For conditions not shown, consult Sika for review of specific details.

- Install Sika materials in accordance with current installation instructions.
- Unsatisfactory conditions shall be reported to the General Contractor and corrected before the application of Sika products.

Senerflex Platinum CI Details

TYPICAL APPLICATION OVER CMU / CONCRETE



- All terminations must be fully encapsulated with mesh reinforced base coat.
- Ensure a means for drainage is provided at system termination.
- GPS Rigid Insulation Board requires supplementary fasteners installed immediately after the board is adhesively attached and prior to the drying of the adhesive/base coat.
- Senergy Joint/Transition Treatment Options: SikaWall MaxFlash, SikaWall Sheathing Fabric embedded in Senershield-R/-RS/-VB or SikaWall Flash Seal NP

PCI-04 2401

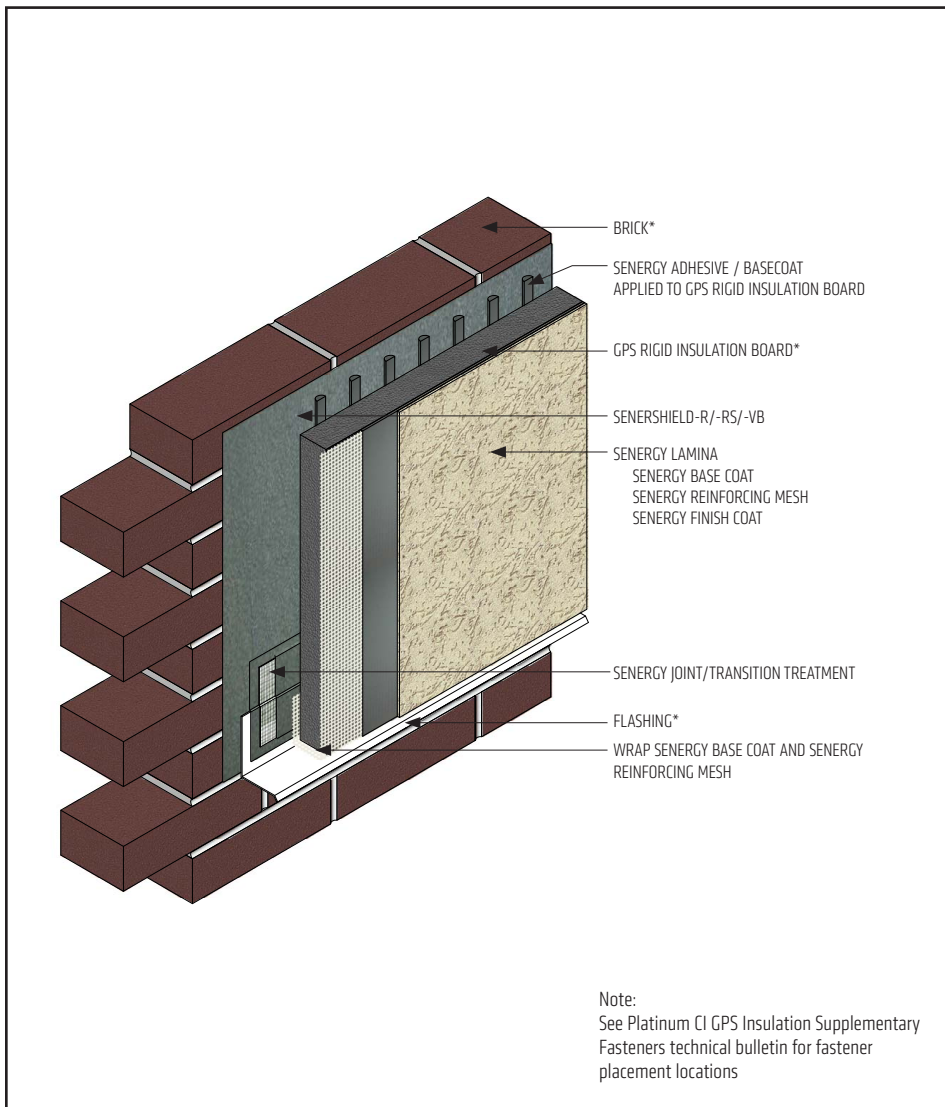
(*NOTE: BY OTHERS)

The details within are latest recommendations and are represent in good faith by Sika Corporation US (hereinafter Sika). The details are subject to change without notice. Sika accepts no liability for the end use of the details. For conditions not shown, consult Sika for review of specific details.

- Install Sika materials in accordance with current installation instructions.
- Unsatisfactory conditions shall be reported to the General Contractor and corrected before the application of Sika products.

Senerflex Platinum CI Details

TYPICAL APPLICATION OVER BRICK



- All terminations must be fully encapsulated with mesh reinforced base coat.
- Ensure a means for drainage is provided at system termination.
- GPS Rigid Insulation Board requires supplementary fasteners installed immediately after the board is adhesively attached and prior to the drying of the adhesive/base coat.
- Senergy Joint/Transition Treatment Options: SikaWall MaxFlash, SikaWall Sheathing Fabric embedded in Senershield-R/-RS/-VB or SikaWall Flash Seal NP

PCI-05 2401

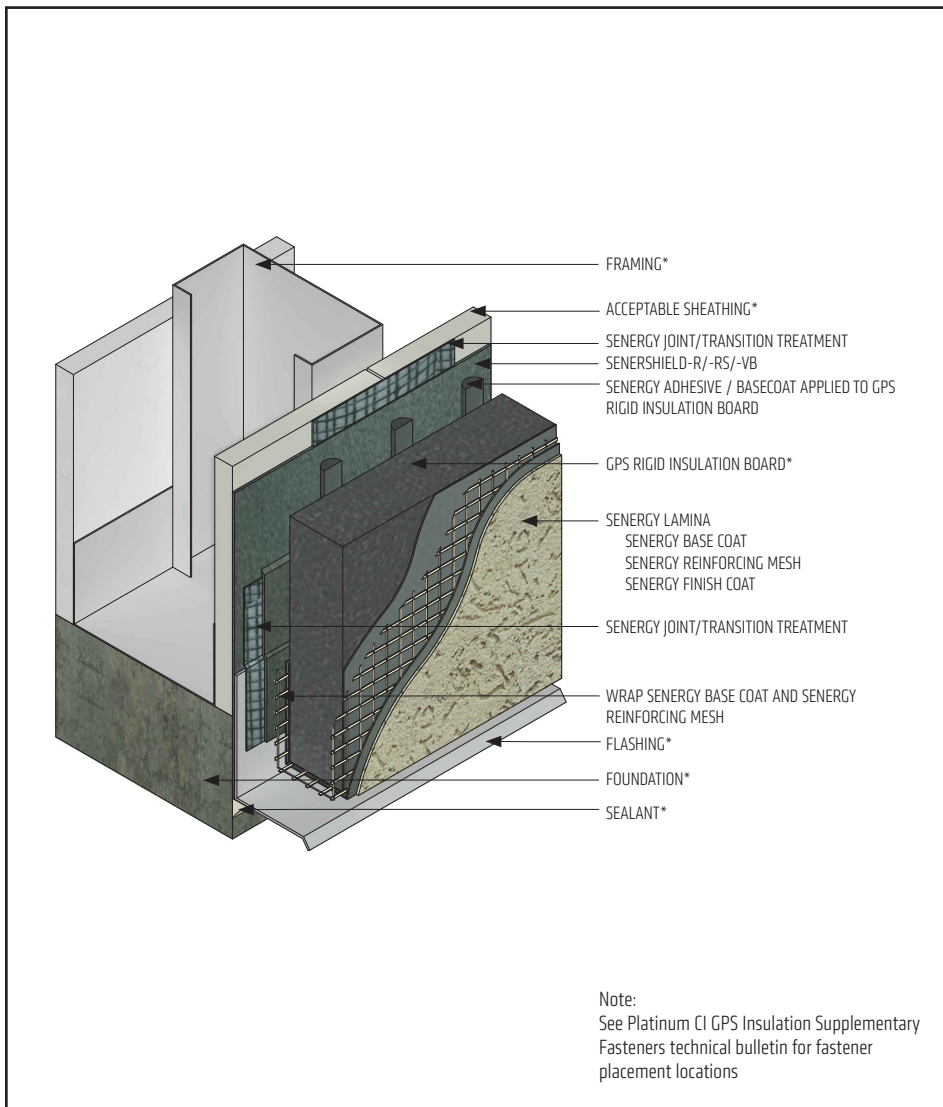
(*NOTE: BY OTHERS)

The details within are latest recommendations and are represent in good faith by Sika Corporation US (hereinafter Sika). The details are subject to change without notice. Sika accepts no liability for the end use of the details. For conditions not shown, consult Sika for review of specific details.

- Install Sika materials in accordance with current installation instructions.
- Unsatisfactory conditions shall be reported to the General Contractor and corrected before the application of Sika products.

Senerflex Platinum CI Details

TYPICAL TERMINATION AT FOUNDATION



- All terminations must be fully encapsulated with mesh reinforced base coat.
- Ensure a means for drainage is provided at system termination at foundation.
- Terminate system a minimum of 6" (152 mm) above grade.
- Extend system a minimum of 2" (50 mm) and a maximum of 12" (305 mm) at the track foundation transition.
- GPS Rigid Insulation Board requires supplementary fasteners installed immediately after the board is adhesively attached and prior to the drying of the adhesive/base coat.
- Senergy Joint/Transition Treatment Options: SikaWall MaxFlash, SikaWall Sheathing Fabric embedded in Senershield-R/-RS/-VB or SikaWall Flash Seal NP

PCI-06 2401

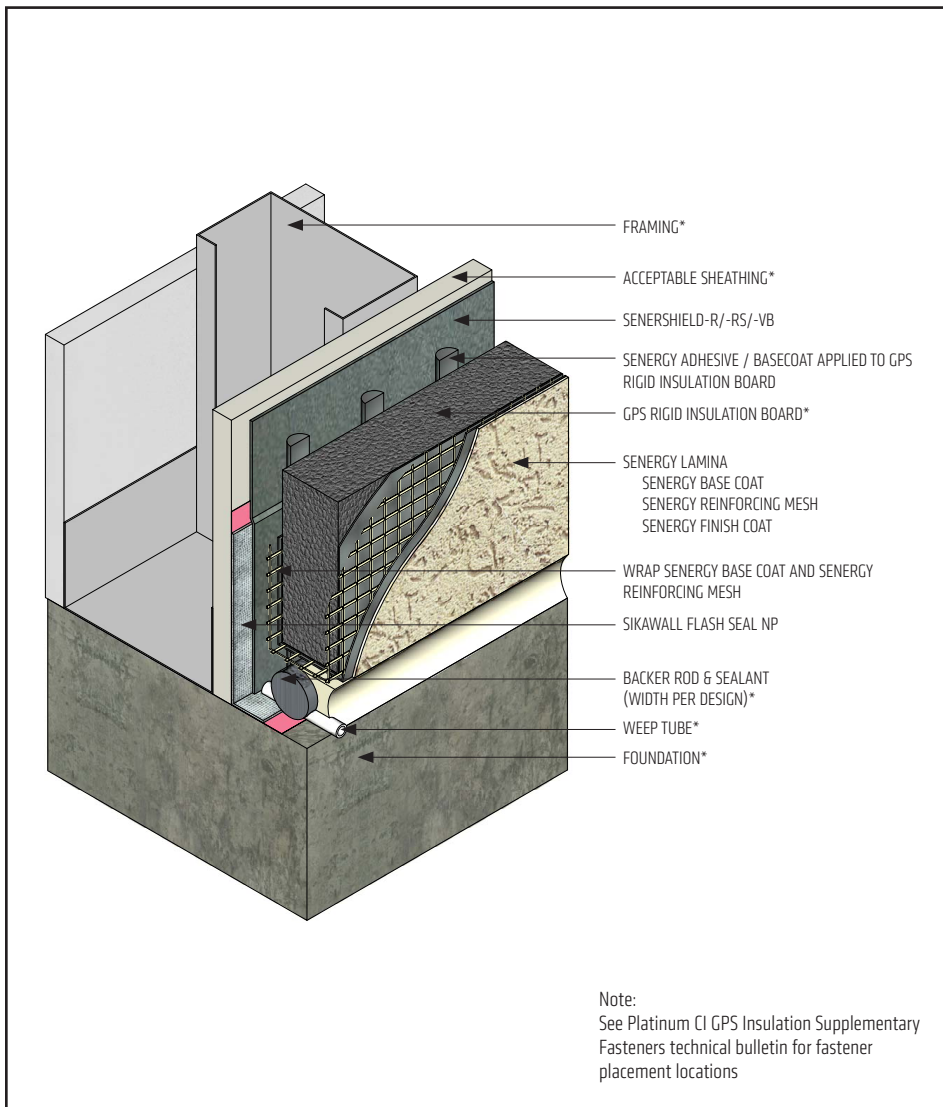
(*NOTE: BY OTHERS)

The details within are latest recommendations and are represent in good faith by Sika Corporation US (hereinafter Sika). The details are subject to change without notice. Sika accepts no liability for the end use of the details. For conditions not shown, consult Sika for review of specific details.

- Install Sika materials in accordance with current installation instructions.
- Unsatisfactory conditions shall be reported to the General Contractor and corrected before the application of Sika products.

Senerflex Platinum CI Details

TYPICAL TERMINATION AT FOUNDATION (FLUSH)



- All terminations must be fully encapsulated with mesh reinforced base coat.
- Ensure a means for drainage is provided at system termination at foundation.
- Place weep tubes a maximum of 24" (610 mm) on center.
- Do not apply finish to areas that will receive sealant.
- GPS Rigid Insulation Board requires supplementary fasteners installed immediately after the board is adhesively attached and prior to the drying of the adhesive/base coat.

PCI-07 2401

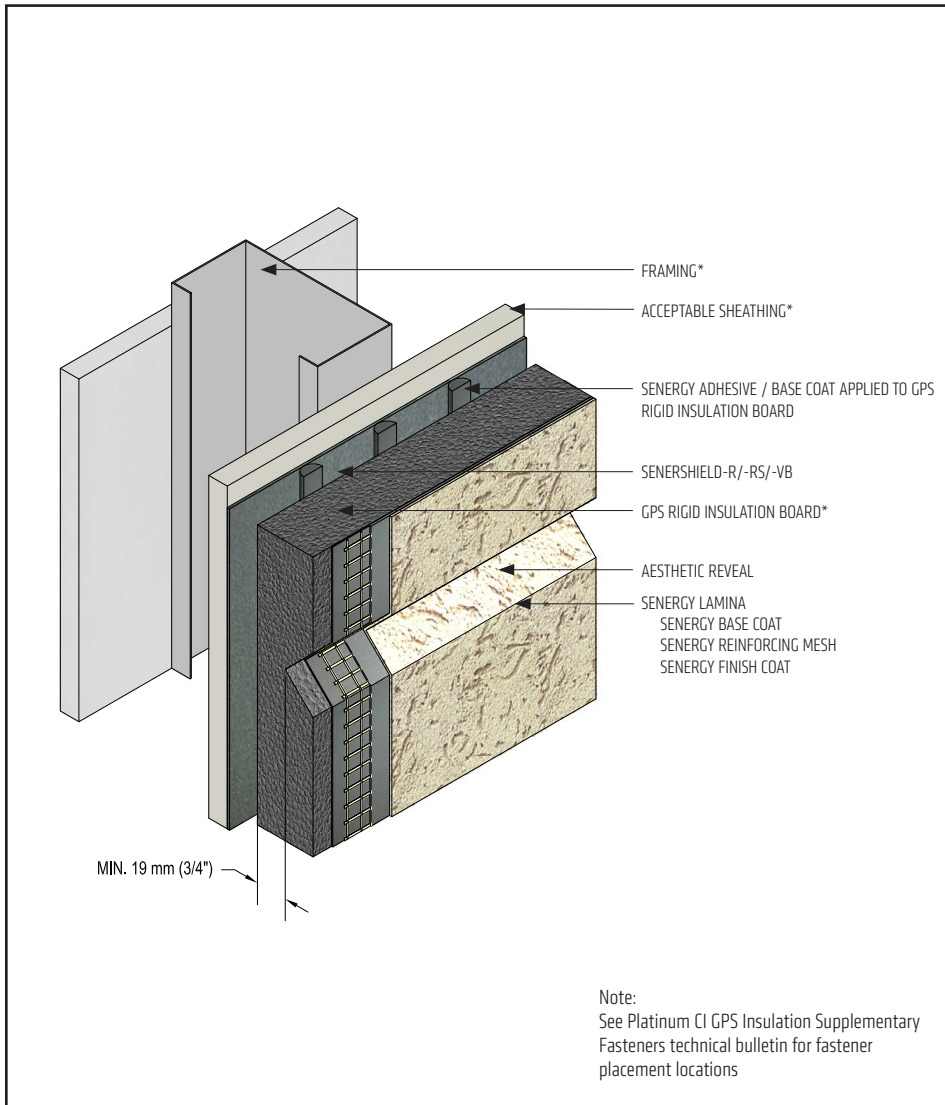
(*NOTE: BY OTHERS)

The details within are latest recommendations and are represent in good faith by Sika Corporation US (hereinafter Sika). The details are subject to change without notice. Sika accepts no liability for the end use of the details. For conditions not shown, consult Sika for review of specific details.

- Install Sika materials in accordance with current installation instructions.
- Unsatisfactory conditions shall be reported to the General Contractor and corrected before the application of Sika products.

Senerflex Platinum CI Details

TYPICAL AESTHETIC REVEAL



- Maintain a minimum 3/4" (19 mm) thick GPS Rigid Insulation Board behind all reveals and aesthetic grooves.
- Reinforcing mesh shall be continuous through reveal and care shall be taken to ensure reinforcing mesh is not cut during base coat application.
- Horizontal reveals shall provide for outward positive drainage.
- Reveals must not occur at the abutment of two pieces of GPS Rigid Insulation Board.
- GPS Rigid Insulation Board requires supplementary fasteners installed immediately after the board is adhesively attached and prior to the drying of the adhesive/base coat.

PCI-08 2401

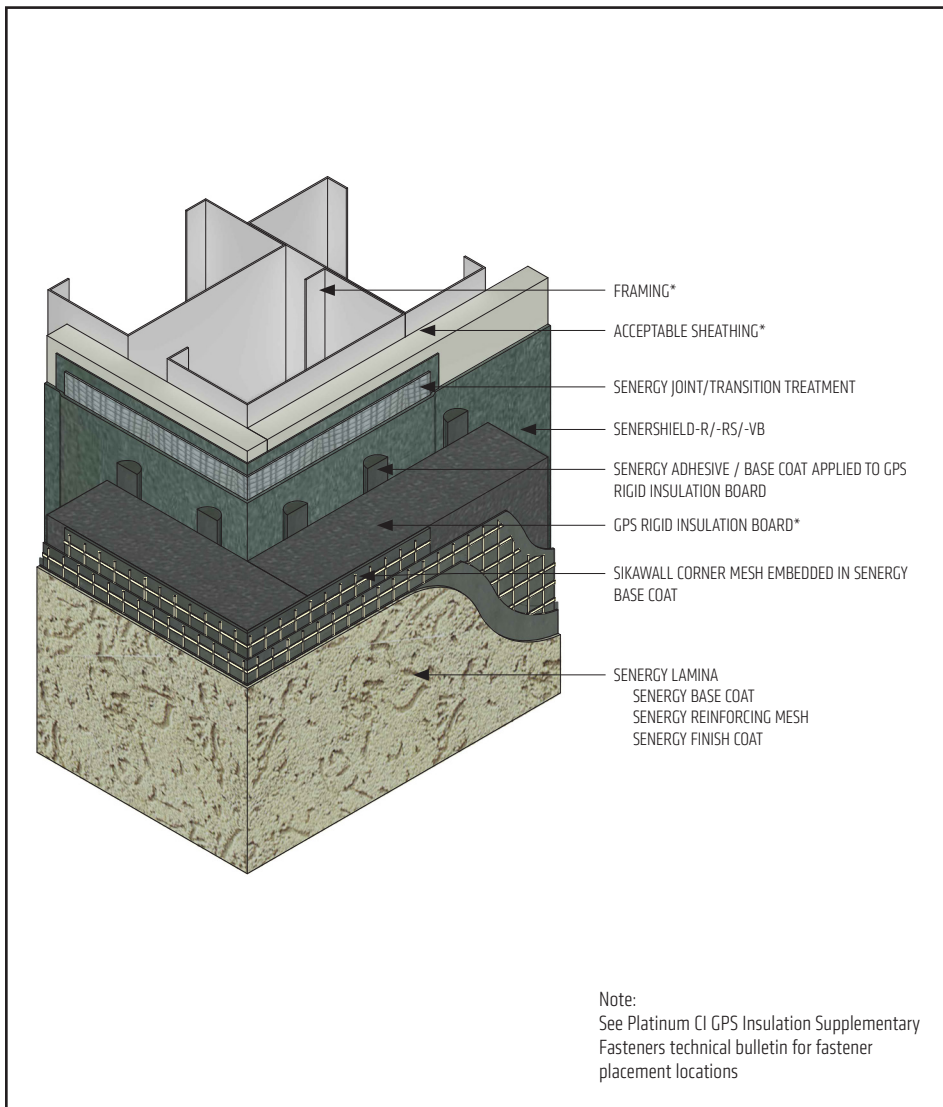
(*NOTE: BY OTHERS)

The details within are latest recommendations and are represent in good faith by Sika Corporation US (hereinafter Sika). The details are subject to change without notice. Sika accepts no liability for the end use of the details. For conditions not shown, consult Sika for review of specific details.

- Install Sika materials in accordance with current installation instructions.
- Unsatisfactory conditions shall be reported to the General Contractor and corrected before the application of Sika products.

Senerflex Platinum CI Details

TYPICAL MESH APPLICATION WITH FLEXGUARD 4, INTERMEDIATE 6 OR 12



- Ensure Flexguard 4, SikaWall Intermediate 6 or 12 Reinforcing Mesh is lapped a minimum of 8" (203 mm) around corners.
- GPS Rigid Insulation Board requires supplementary fasteners installed immediately after the board is adhesively attached and prior to the drying of the adhesive/base coat.
- Senergy Joint/Transition Treatment Options: SikaWall MaxFlash, SikaWall Sheathing Fabric embedded in Senershield-R/-RS/-VB or SikaWall Flash Seal NP

PCI-09 2401

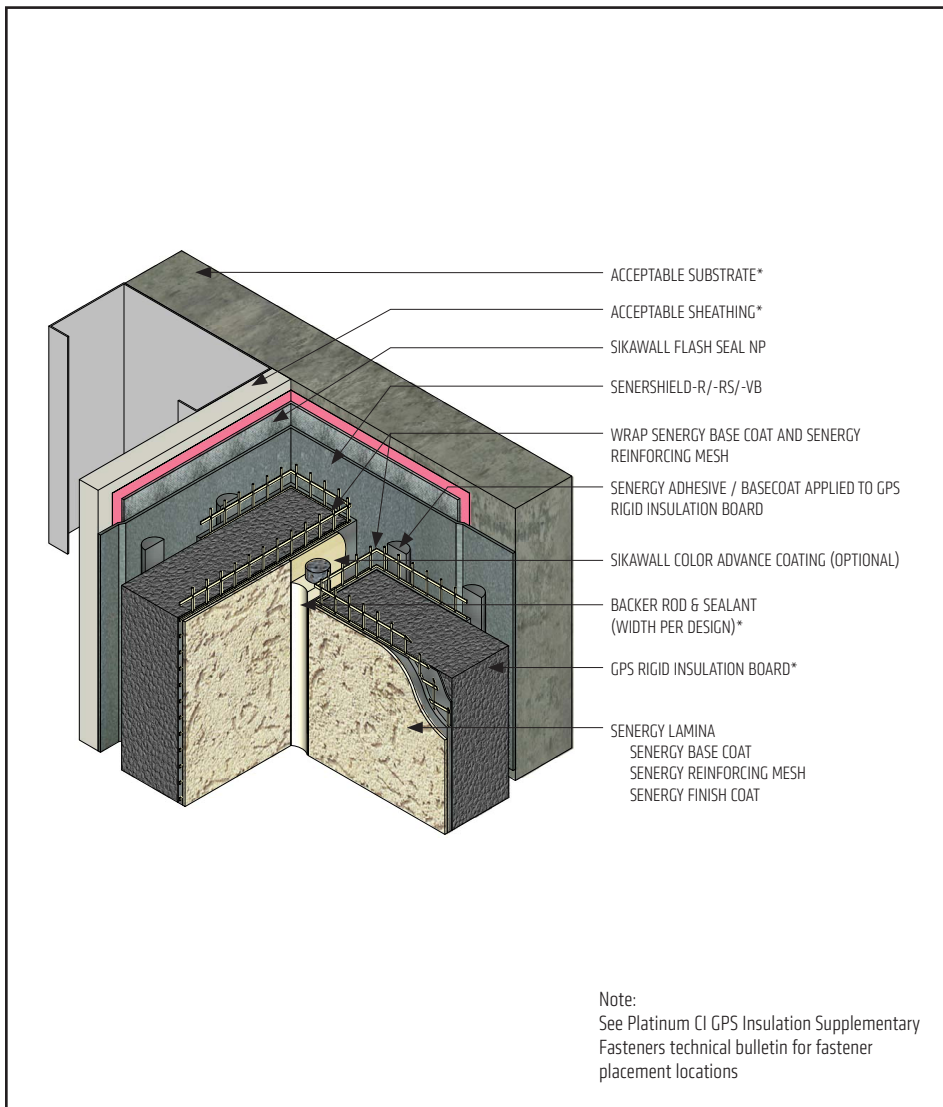
(*NOTE: BY OTHERS)

The details within are latest recommendations and are represent in good faith by Sika Corporation US (hereinafter Sika). The details are subject to change without notice. Sika accepts no liability for the end use of the details. For conditions not shown, consult Sika for review of specific details.

- Install Sika materials in accordance with current installation instructions.
- Unsatisfactory conditions shall be reported to the General Contractor and corrected before the application of Sika products.

Senerflex Platinum CI Details

TYPICAL EXPANSION JOINT AT CHANGE IN SUBSTRATE



- All terminations must be fully encapsulated with mesh reinforced base coat.
- Do not apply finish to areas that will receive sealant.
- Ensure drainage plane is continuous and unobstructed at expansion joint.
- Install expansion joints in the system at all changes in substrate, terminations at dissimilar materials, through existing expansion joints, floor lines in multilevel wood frame construction, and where movement is anticipated. It is the sole responsibility of the design professional to determine specific expansion joint location, placement and design.
- GPS Rigid Insulation Board requires supplementary fasteners installed immediately after the board is adhesively attached and prior to the drying of the adhesive/base coat.

PCI-10 2401

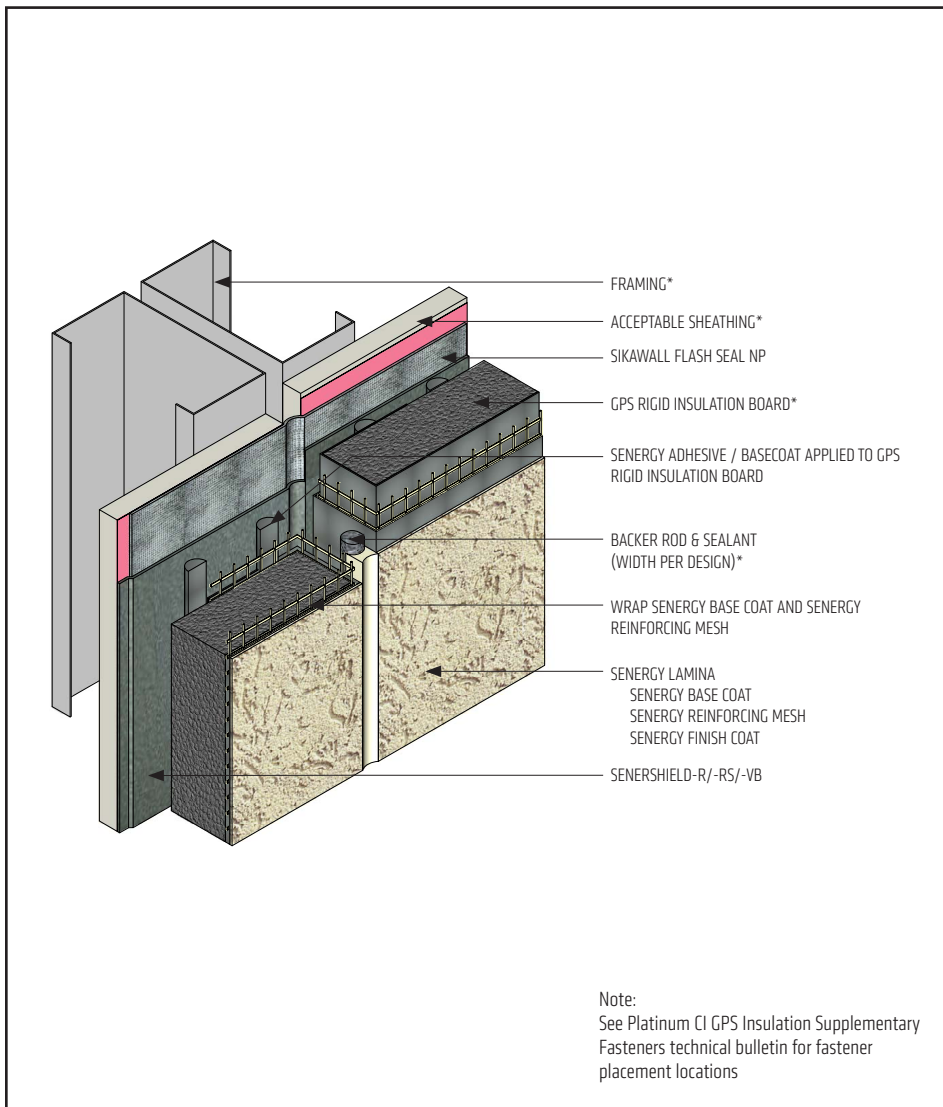
(*NOTE: BY OTHERS)

The details within are latest recommendations and are represent in good faith by Sika Corporation US (hereinafter Sika). The details are subject to change without notice. Sika accepts no liability for the end use of the details. For conditions not shown, consult Sika for review of specific details.

- Install Sika materials in accordance with current installation instructions.
- Unsatisfactory conditions shall be reported to the General Contractor and corrected before the application of Sika products.

Senerflex Platinum CI Details

TYPICAL EXPANSION JOINT



- All terminations must be fully encapsulated with mesh reinforced base coat.
- Do not apply finish to areas that will receive sealant.
- Ensure drainage plane is continuous and unobstructed at expansion joint.
- Install expansion joints in the system at all changes in substrate, terminations at dissimilar materials, through existing expansion joints, floor lines in multilevel wood frame construction, and where movement is anticipated. It is the sole responsibility of the design professional to determine specific expansion joint location, placement and design.
- GPS Rigid Insulation Board requires supplementary fasteners installed immediately after the board is adhesively attached and prior to the drying of the adhesive/base coat.

PCI-11 2401

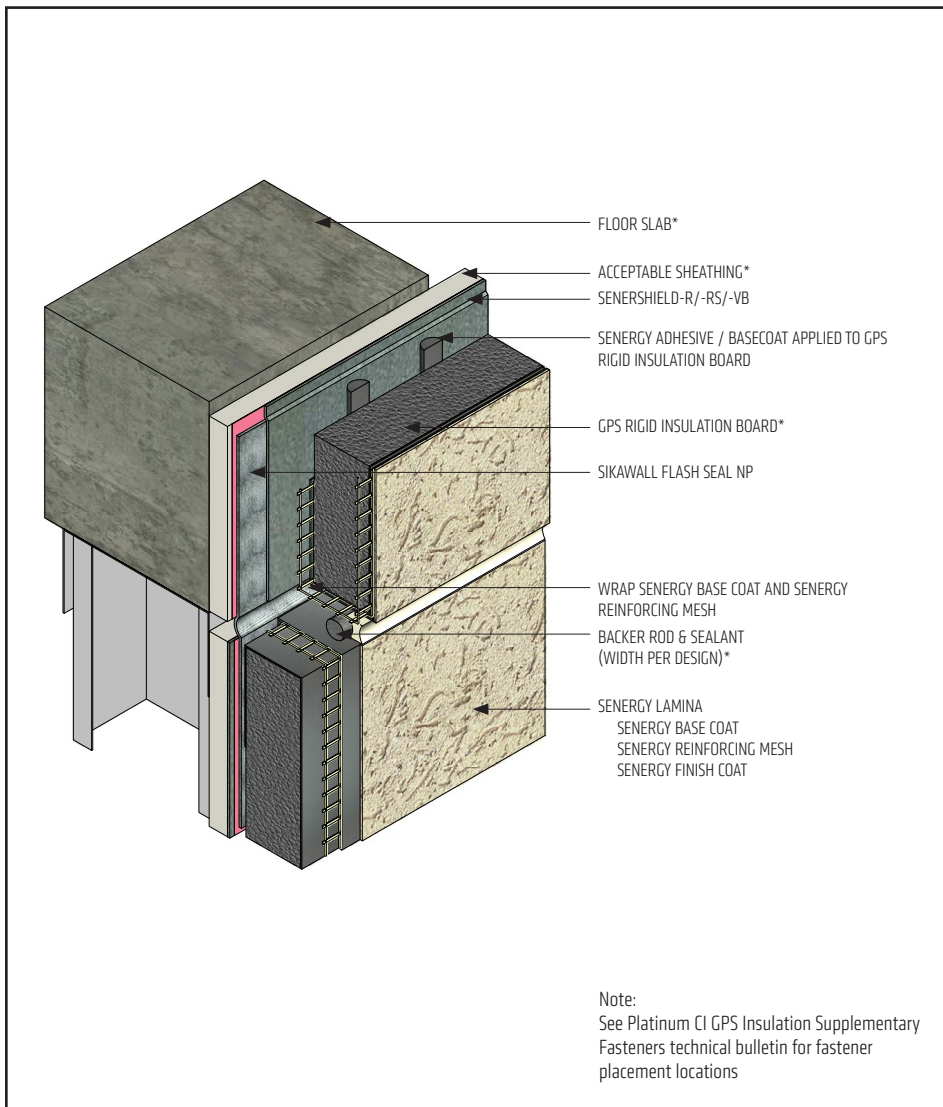
(*NOTE: BY OTHERS)

The details within are latest recommendations and are represent in good faith by Sika Corporation US (hereinafter Sika). The details are subject to change without notice. Sika accepts no liability for the end use of the details. For conditions not shown, consult Sika for review of specific details.

- Install Sika materials in accordance with current installation instructions.
- Unsatisfactory conditions shall be reported to the General Contractor and corrected before the application of Sika products.

Senerflex Platinum CI Details

TYPICAL EXPANSION JOINT AT FLOORLINE



- All terminations must be fully encapsulated with mesh reinforced base coat.
- Do not apply finish to areas that will receive sealant.
- Install expansion joints in the system at all changes in substrate, terminations at dissimilar materials, through existing expansion joints, floor lines in multilevel wood frame construction, and where movement is anticipated. It is the sole responsibility of the design professional to determine specific expansion joint location, placement and design.
- It is recommended that a means for drainage is provided at every third floor. (See Typical Drainage at floorline detail).
- GPS Rigid Insulation Board requires supplementary fasteners installed immediately after the board is adhesively attached and prior to the drying of the adhesive/base coat.

PCI-12 2401

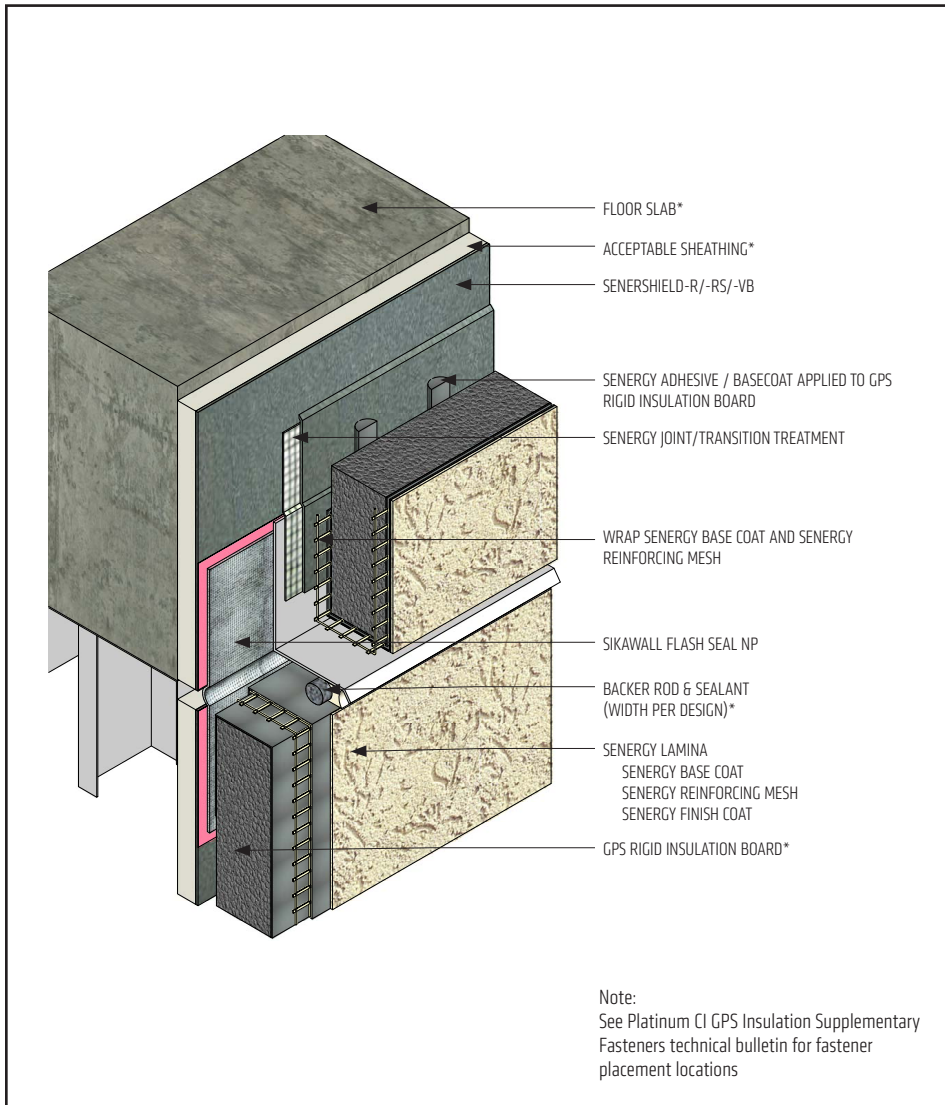
(*NOTE: BY OTHERS)

The details within are latest recommendations and are represent in good faith by Sika Corporation US (hereinafter Sika). The details are subject to change without notice. Sika accepts no liability for the end use of the details. For conditions not shown, consult Sika for review of specific details.

- Install Sika materials in accordance with current installation instructions.
- Unsatisfactory conditions shall be reported to the General Contractor and corrected before the application of Sika products.

Senerflex Platinum CI Details

TYPICAL DRAINAGE AT FLOORLINE



PCI-13 2401

(*NOTE: BY OTHERS)

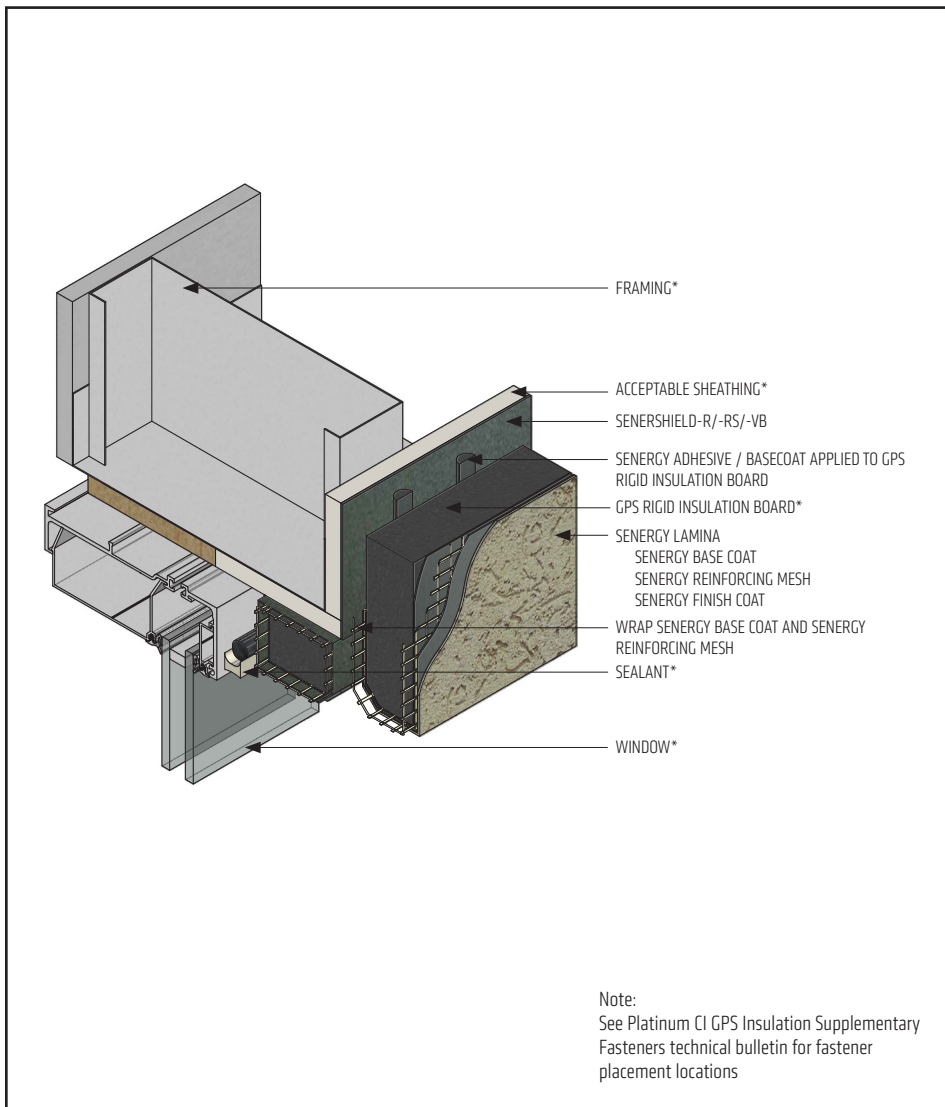
- All terminations must be fully encapsulated with mesh reinforced base coat.
- Do not apply finish to areas that will receive sealant.
- Install expansion joints in the system at all changes in substrate, terminations at dissimilar materials, through existing expansion joints, floor lines in multilevel wood frame construction, and where movement is anticipated. It is the sole responsibility of the design professional to determine specific expansion joint location, placement and design.
- It is recommended that a means for drainage is provided at every third floor.
- GPS Rigid Insulation Board requires supplementary fasteners installed immediately after the board is adhesively attached and prior to the drying of the adhesive/base coat.
- Senergy Joint/Transition Treatment Options: SikaWall MaxFlash, SikaWall Sheathing Fabric embedded in Senershield-R/-RS/-VB or SikaWall Flash Seal NP

The details within are latest recommendations and are represent in good faith by Sika Corporation US (hereinafter Sika). The details are subject to change without notice. Sika accepts no liability for the end use of the details. For conditions not shown, consult Sika for review of specific details.

- Install Sika materials in accordance with current installation instructions.
- Unsatisfactory conditions shall be reported to the General Contractor and corrected before the application of Sika products.

Senerflex Platinum CI Details

TYPICAL WINDOW HEAD (RECESSED)



- All terminations must be fully encapsulated with mesh reinforced base coat.
- Do not apply finish to areas that will receive sealant.
- Ensure a means for drainage is provided at system termination at window return.
- Provide a back wrapped type joint with backer rod and sealant at system terminations to dissimilar materials, ensuring that a water tight seal is achieved (width per design).
- GPS Rigid Insulation Board requires supplementary fasteners installed immediately after the board is adhesively attached and prior to the drying of the adhesive/base coat.
- As an air barrier, ensure Senershield-R/-RS/-VB or SikaWall MaxFlash is properly applied into the rough opening at the head in accordance with application guidelines and code requirements prior to GPS Rigid Insulation Board application.

PCI-14 2401

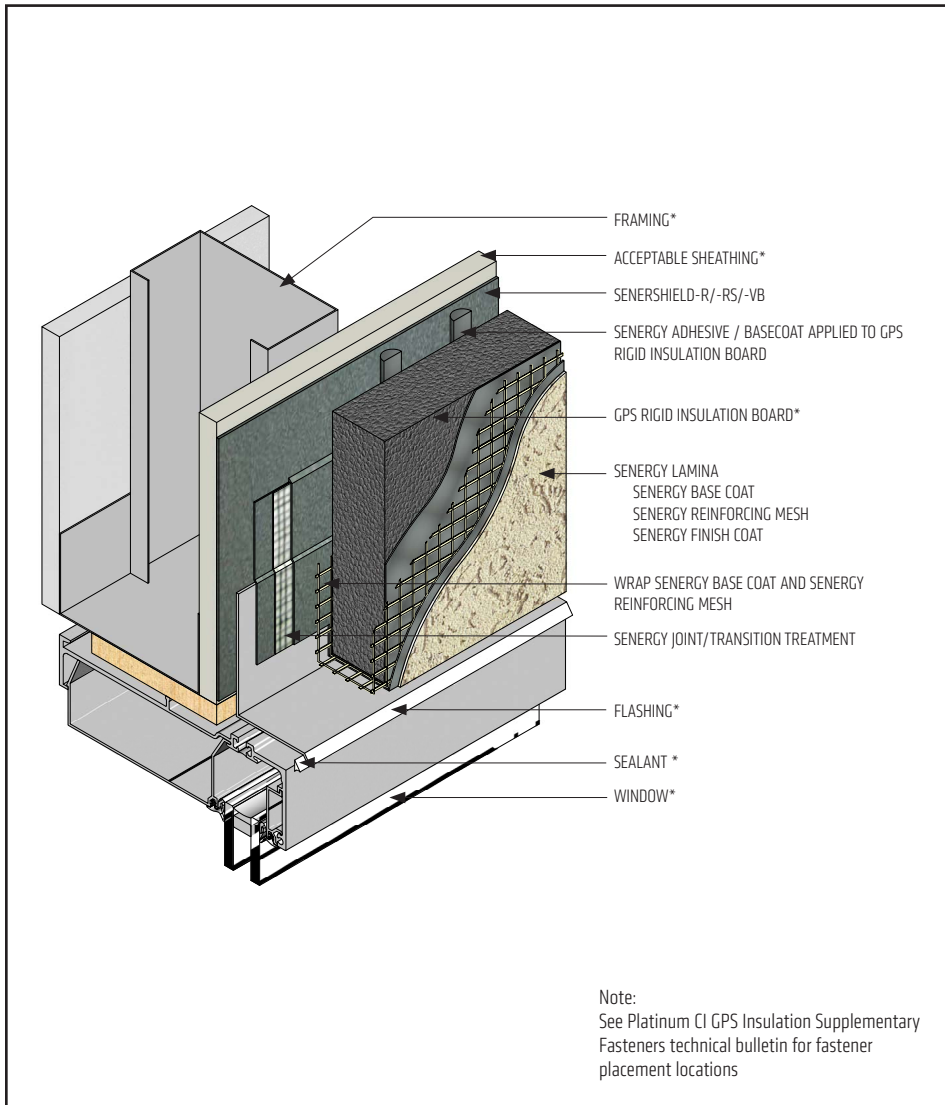
(*NOTE: BY OTHERS)

The details within are latest recommendations and are represent in good faith by Sika Corporation US (hereinafter Sika). The details are subject to change without notice. Sika accepts no liability for the end use of the details. For conditions not shown, consult Sika for review of specific details.

- Install Sika materials in accordance with current installation instructions.
- Unsatisfactory conditions shall be reported to the General Contractor and corrected before the application of Sika products.

Senerflex Platinum CI Details

TYPICAL WINDOW HEAD (FLUSH)



- All terminations must be fully encapsulated with mesh reinforced base coat.
- Ensure a means for drainage is provided at system termination at window head.
- Provide end-dams at flashing terminations.
- GPS Rigid Insulation Board requires supplementary fasteners installed immediately after the board is adhesively attached and prior to the drying of the adhesive/base coat.
- As an air barrier, ensure Senershield-R/-RS/-VB or SikaWall MaxFlash is properly applied into the rough opening at the head in accordance with application guidelines and code requirements prior to GPS Rigid Insulation Board application.
- Senergy Joint/Transition Treatment Options: SikaWall MaxFlash, SikaWall Sheathing Fabric embedded in Senershield-R/-RS/-VB or SikaWall Flash Seal NP

PCI-15

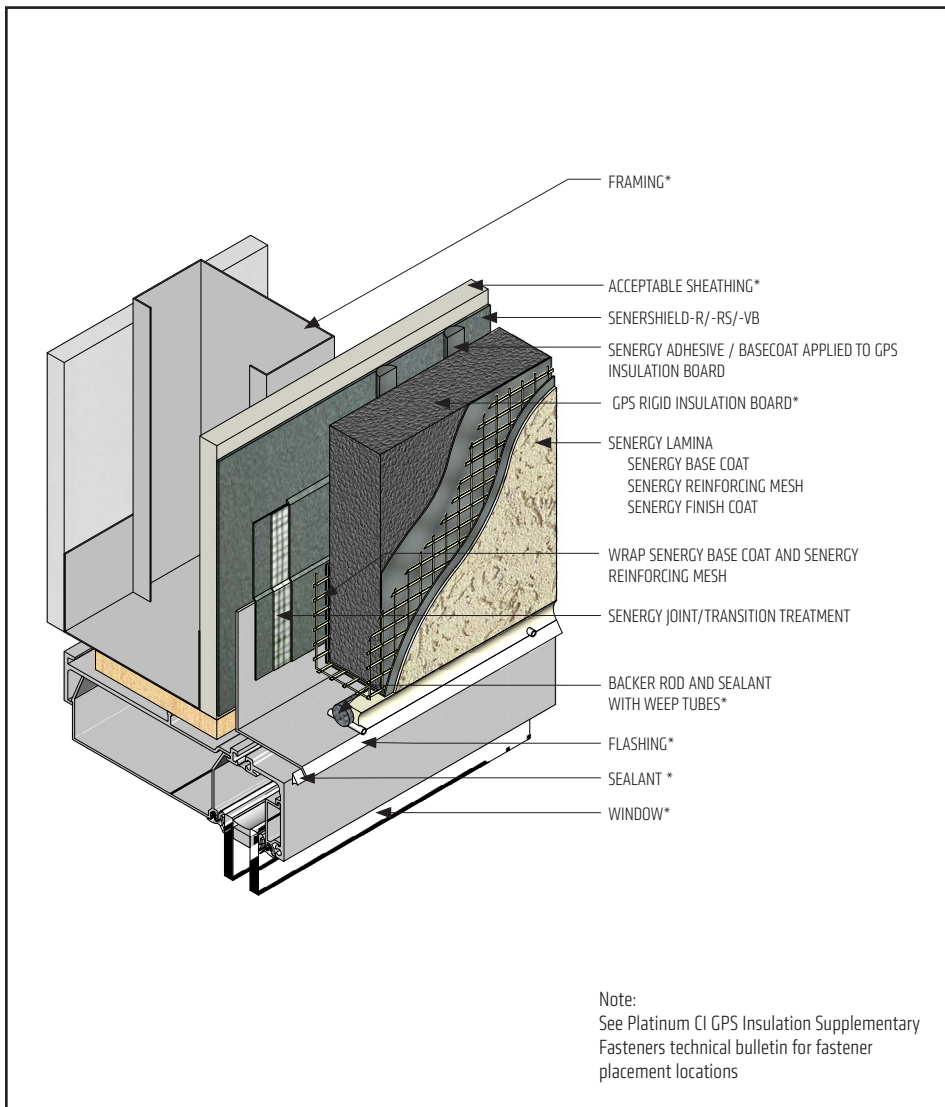
(*NOTE: BY OTHERS)

The details within are latest recommendations and are represent in good faith by Sika Corporation US (hereinafter Sika). The details are subject to change without notice. Sika accepts no liability for the end use of the details. For conditions not shown, consult Sika for review of specific details.

- Install Sika materials in accordance with current installation instructions.
- Unsatisfactory conditions shall be reported to the General Contractor and corrected before the application of Sika products.

Senerflex Platinum CI Details

TYPICAL WINDOW HEAD (FLUSH) WITH WEEP TUBES



- All terminations must be fully encapsulated with mesh reinforced base coat.
- Ensure a means for drainage is provided at system termination at window head.
- Provide end-dams at flashing terminations.
- Place weep tubes a maximum of 16" (406 mm) on center.
- Do not apply finish to areas that will receive sealant joint width is per design.
- GPS Rigid Insulation Board requires supplementary fasteners installed immediately after the board is adhesively attached and prior to the drying of the adhesive/base coat.
- As an air barrier, ensure Senershield-R/-RS/-VB or SikaWall MaxFlash is properly applied into the rough opening at the head in accordance with application guidelines and code requirements prior to GPS Rigid Insulation Board application.

PCI-16

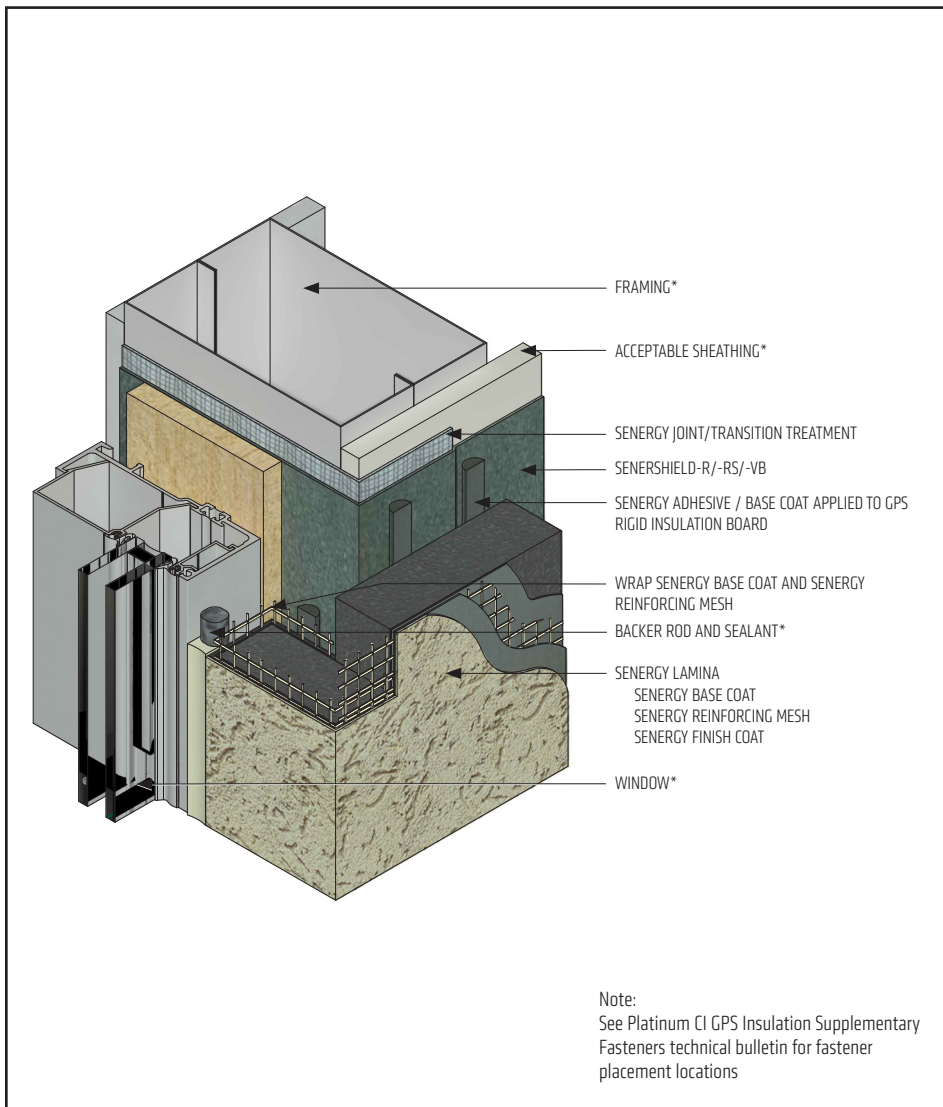
(*NOTE: BY OTHERS)

The details within are latest recommendations and are represent in good faith by Sika Corporation US (hereinafter Sika). The details are subject to change without notice. Sika accepts no liability for the end use of the details. For conditions not shown, consult Sika for review of specific details.

- Install Sika materials in accordance with current installation instructions.
- Unsatisfactory conditions shall be reported to the General Contractor and corrected before the application of Sika products.

Senerflex Platinum CI Details

TYPICAL WINDOW JAMB (RECESSED)



- All terminations must be fully encapsulated with mesh reinforced base coat.
- Ensure Senershield-R/-RS/-VB or MaxFlash is properly applied into the rough openings in accordance with application guidelines and code requirements prior to GPS Rigid Insulation Board application.
- Do not apply finish to areas that will receive sealant.
- Provide a back wrapped type joint with backer rod and sealant at system terminations to dissimilar materials, ensuring that a water tight seal is achieved (width per design).
- GPS Rigid Insulation Board requires supplementary fasteners installed immediately after the board is adhesively attached and prior to the drying of the adhesive/base coat.
- Senergy Joint/Transition Treatment Options: SikaWall MaxFlash, SikaWall Sheathing Fabric embedded in Senershield-R/-RS/-VB or SikaWall Flash Seal NP

PCI-17

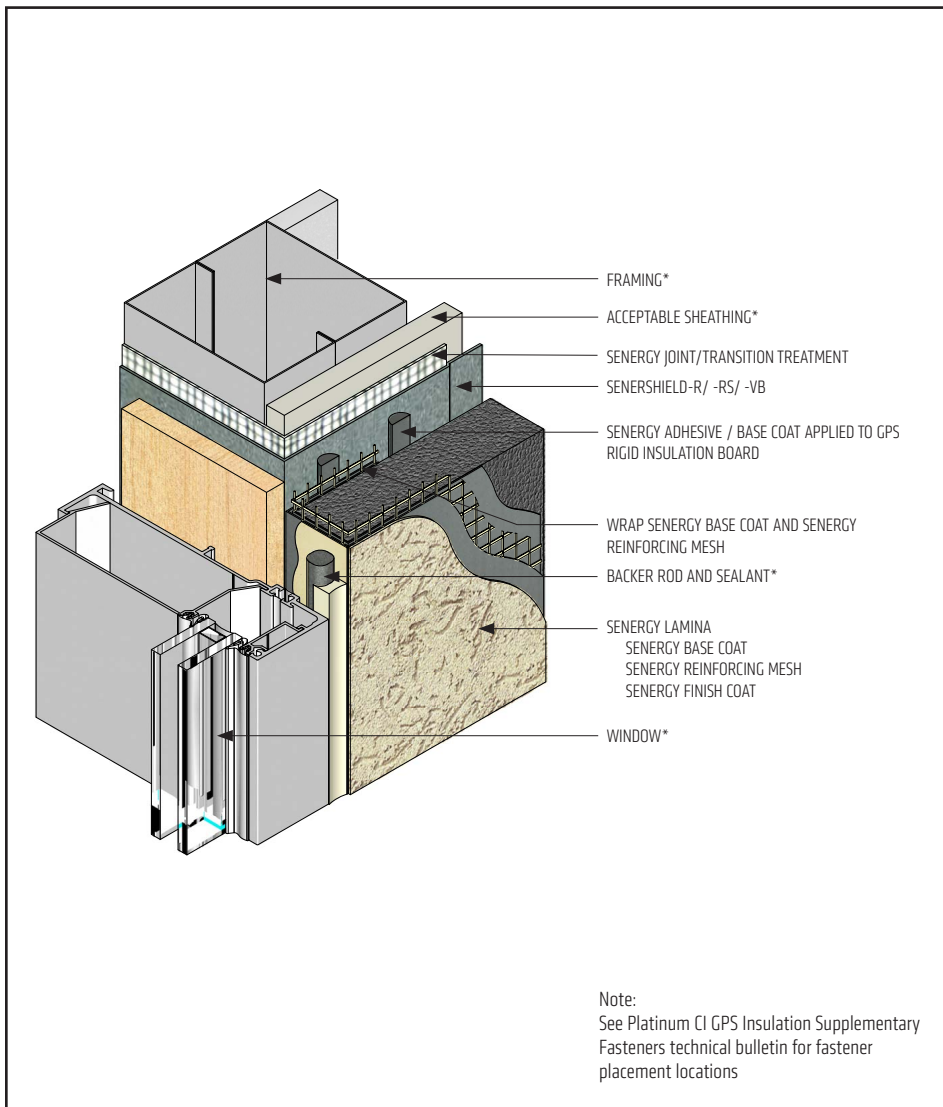
(*NOTE: BY OTHERS)

The details within are latest recommendations and are represent in good faith by Sika Corporation US (hereinafter Sika). The details are subject to change without notice. Sika accepts no liability for the end use of the details. For conditions not shown, consult Sika for review of specific details.

- Install Sika materials in accordance with current installation instructions.
- Unsatisfactory conditions shall be reported to the General Contractor and corrected before the application of Sika products.

Senerflex Platinum CI Details

TYPICAL WINDOW JAMB (FLUSH)



- All terminations must be fully encapsulated with mesh reinforced base coat.
- Ensure Senershield-R/-RS/-VB or MaxFlash is properly applied into the rough openings in accordance with application guidelines and code requirements prior to GPS Rigid Insulation Board application.
- Do not apply finish to areas that will receive sealant.
- Provide a back wrapped type joint with backer rod and sealant at system terminations to dissimilar materials, ensuring that a water tight seal is achieved (width per design).
- GPS Rigid Insulation Board requires supplementary fasteners installed immediately after the board is adhesively attached and prior to the drying of the adhesive/base coat.
- Senergy Joint/Transition Treatment Options: SikaWall MaxFlash, SikaWall Sheathing Fabric embedded in Senershield-R/-RS/-VB or SikaWall Flash Seal NP

PCI-18

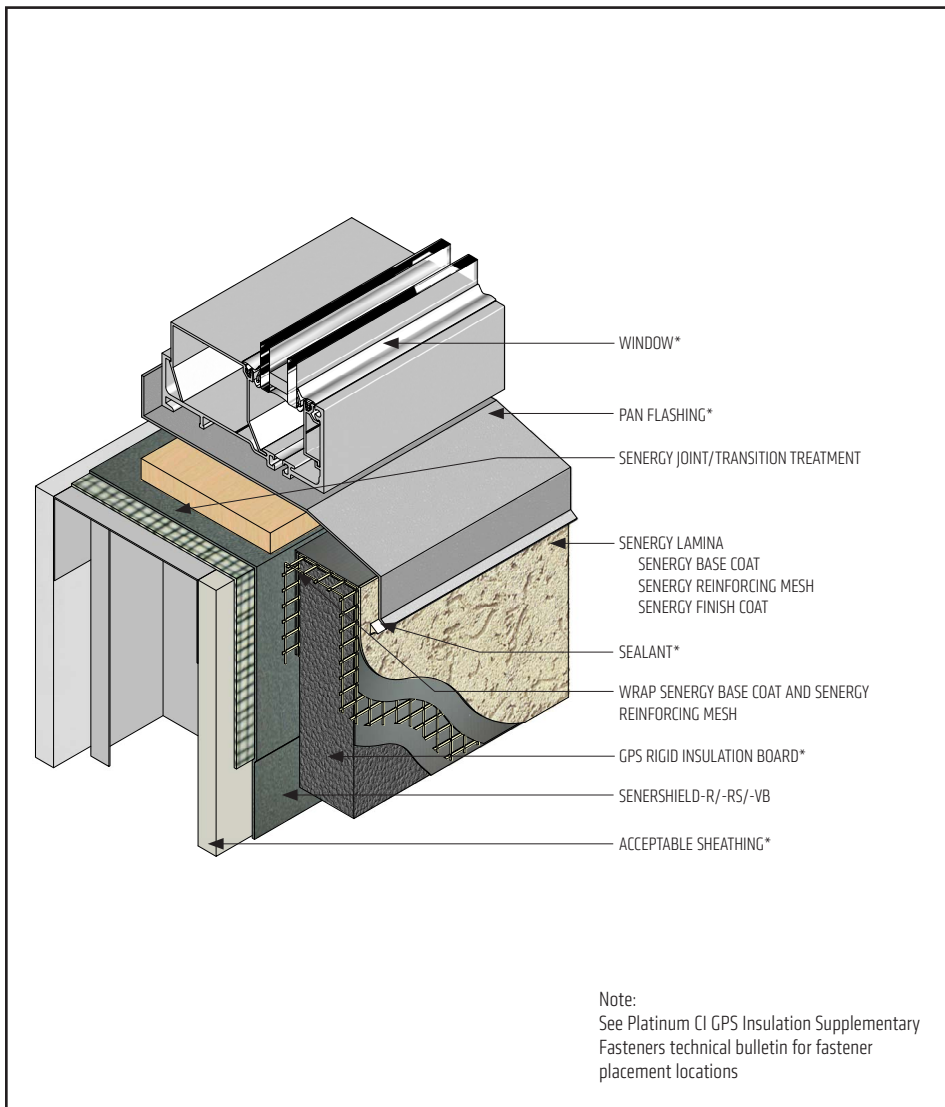
(*NOTE: BY OTHERS)

The details within are latest recommendations and are represent in good faith by Sika Corporation US (hereinafter Sika). The details are subject to change without notice. Sika accepts no liability for the end use of the details. For conditions not shown, consult Sika for review of specific details.

- Install Sika materials in accordance with current installation instructions.
- Unsatisfactory conditions shall be reported to the General Contractor and corrected before the application of Sika products.

Senerflex Platinum CI Details

TYPICAL WINDOW SILL (RECESSED)



- All terminations must be fully encapsulated with mesh reinforced base coat.
- Ensure Senershield-R/-RS/-VB or SikaWall MaxFlash is properly applied into the rough openings in accordance with application guidelines and code requirements prior to GPS Rigid Insulation Board application.
- Ensure that metal pan flashing extends to the system a minimum of 2" (50 mm) down the face and that end dams are provided.
- GPS Rigid Insulation Board requires supplementary fasteners installed immediately after the board is adhesively attached and prior to the drying of the adhesive/base coat.
- Senergy Joint/Transition Treatment Options: SikaWall MaxFlash, SikaWall Sheathing Fabric embedded in Senershield-R/-RS/-VB or SikaWall Flash Seal NP

PCI-19

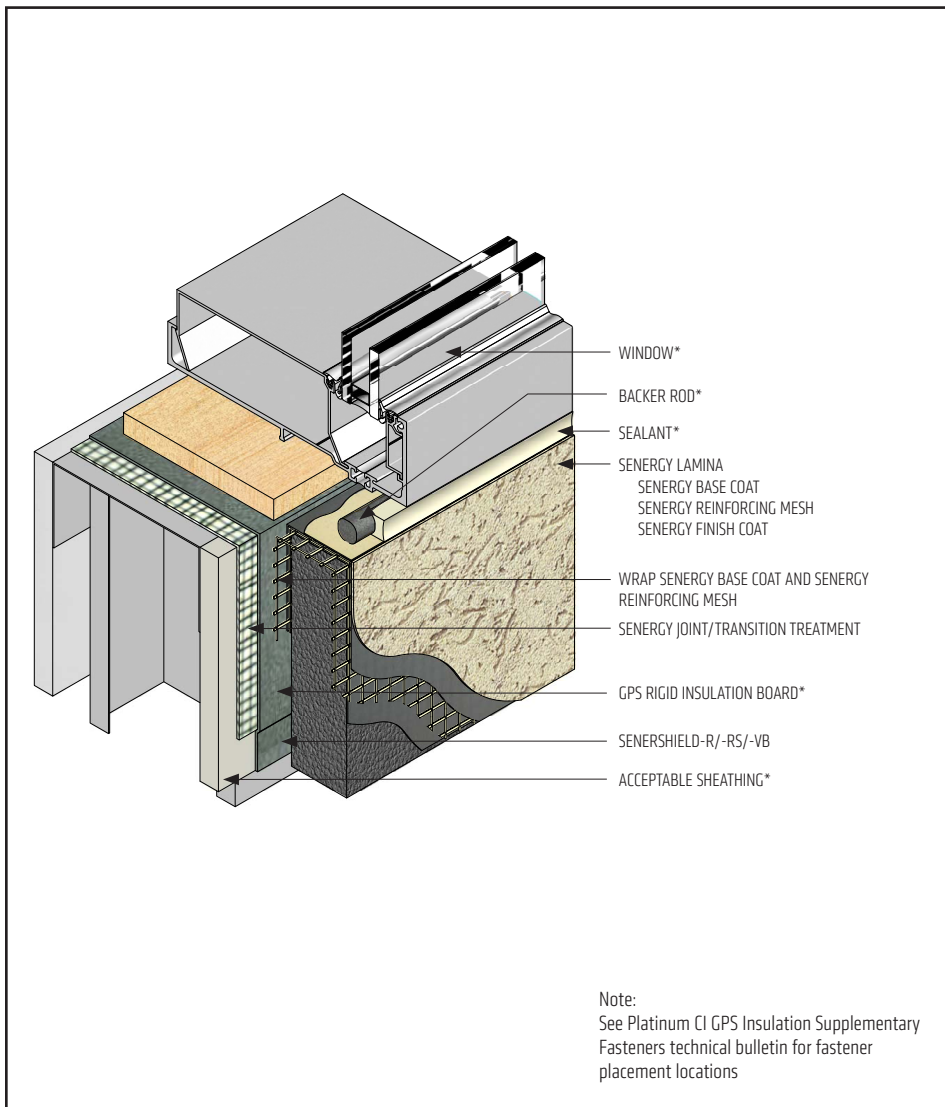
(*NOTE: BY OTHERS)

The details within are latest recommendations and are represent in good faith by Sika Corporation US (hereinafter Sika). The details are subject to change without notice. Sika accepts no liability for the end use of the details. For conditions not shown, consult Sika for review of specific details.

- Install Sika materials in accordance with current installation instructions.
- Unsatisfactory conditions shall be reported to the General Contractor and corrected before the application of Sika products.

Senerflex Platinum CI Details

TYPICAL WINDOW SILL (FLUSH)



- All terminations must be fully encapsulated with mesh reinforced base coat.
- Ensure Senershield-R/-RS/-VB is properly applied into the rough openings in accordance with application guidelines and code requirements prior to GPS Rigid Insulation Board application.
- Do not apply finish to areas that will receive sealant.
- Provide a back wrapped type joint with backer rod and sealant at system terminations to dissimilar materials, ensuring that a water tight seal is achieved (width per design).
- GPS Rigid Insulation Board requires supplementary fasteners installed immediately after the board is adhesively attached and prior to the drying of the adhesive/base coat.

PCI-20

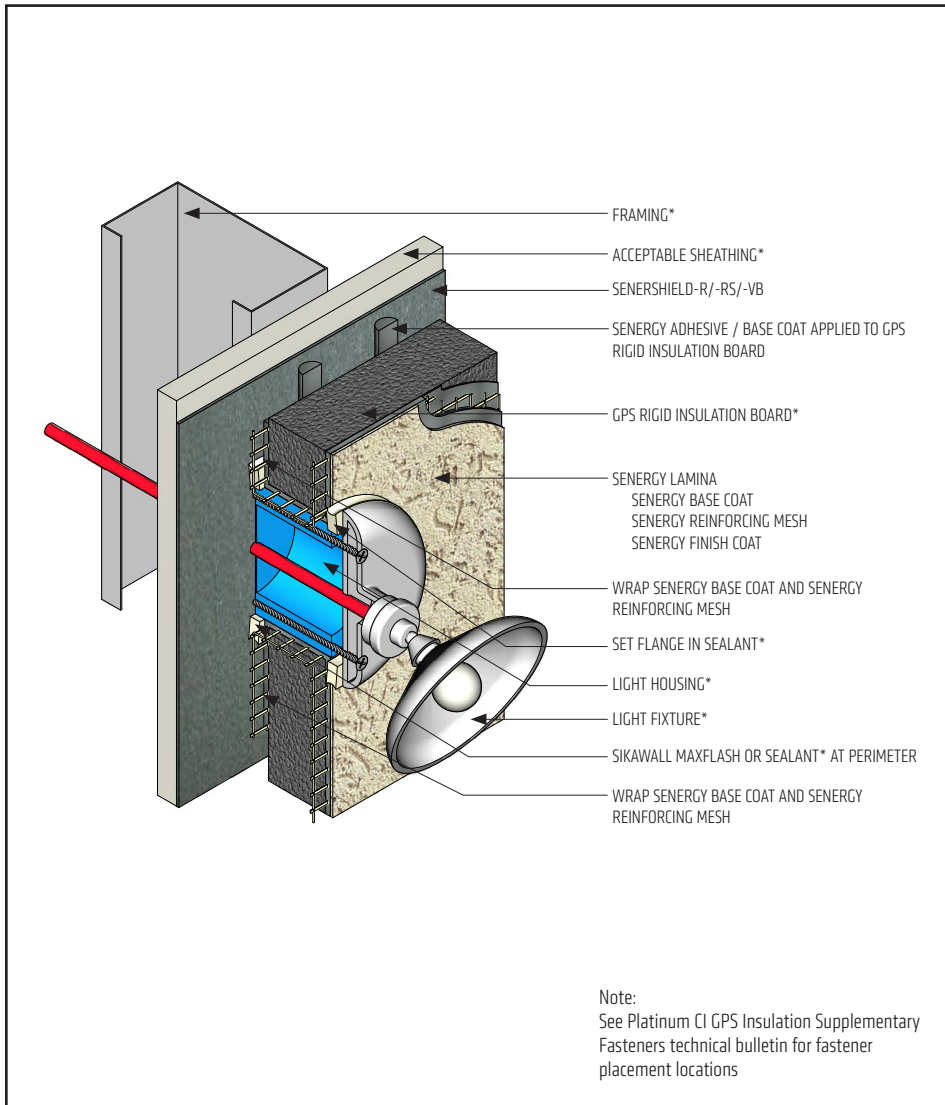
(*NOTE: BY OTHERS)

The details within are latest recommendations and are represent in good faith by Sika Corporation US (hereinafter Sika). The details are subject to change without notice. Sika accepts no liability for the end use of the details. For conditions not shown, consult Sika for review of specific details.

- Install Sika materials in accordance with current installation instructions.
- Unsatisfactory conditions shall be reported to the General Contractor and corrected before the application of Sika products.

Senerflex Platinum CI Details

TYPICAL LIGHT FIXTURE



- All terminations must be fully encapsulated with mesh reinforced base coat.
- Ensure all penetrations into the system are properly sealed.
- GPS Rigid Insulation Board requires supplementary fasteners installed immediately after the board is adhesively attached and prior to the drying of the adhesive/base coat.

PCI-21

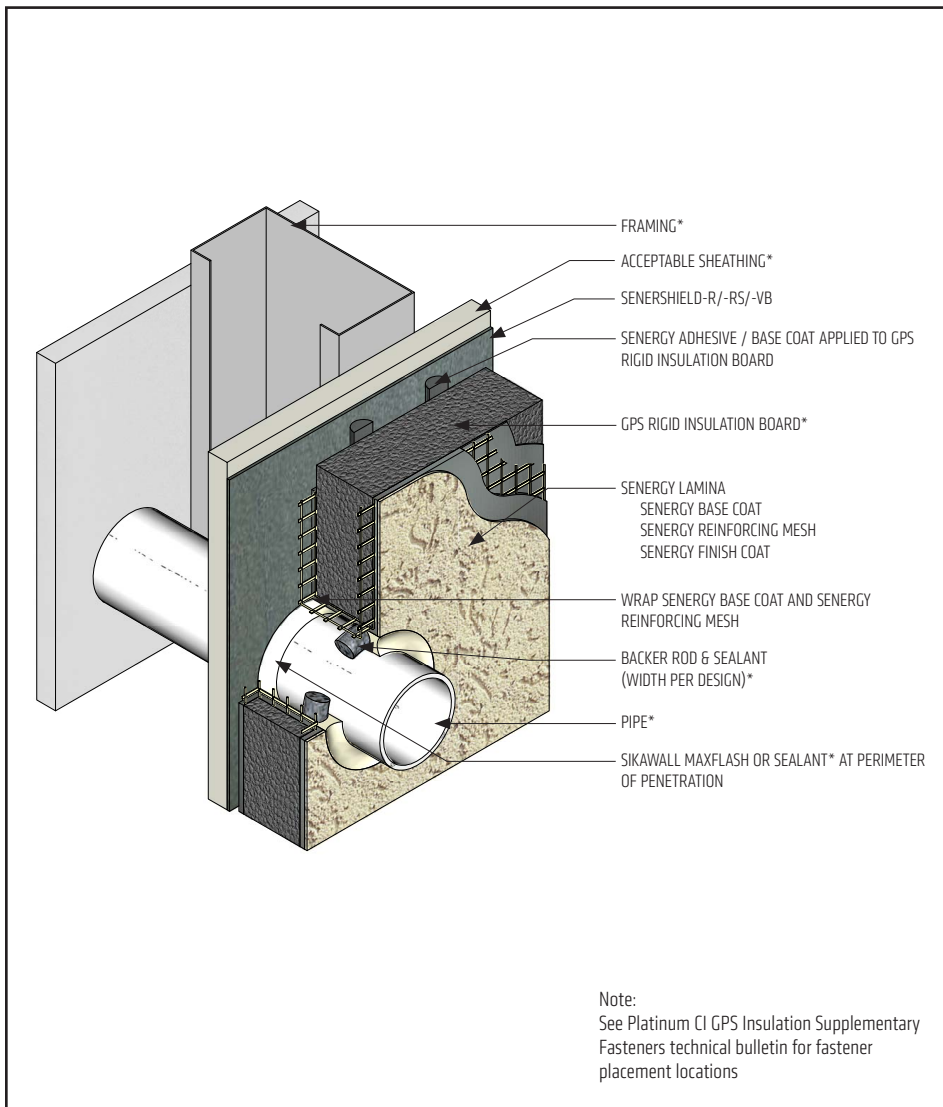
(*NOTE: BY OTHERS)

The details within are latest recommendations and are represent in good faith by Sika Corporation US (hereinafter Sika). The details are subject to change without notice. Sika accepts no liability for the end use of the details. For conditions not shown, consult Sika for review of specific details.

- Install Sika materials in accordance with current installation instructions.
- Unsatisfactory conditions shall be reported to the General Contractor and corrected before the application of Sika products.

Senerflex Platinum CI Details

TYPICAL PIPE PENETRATION



- All terminations must be fully encapsulated with mesh reinforced basecoat.
- Ensure all penetrations into the system are properly sealed.
- Provide continuous seal around perimeter of penetration prior to GPS Rigid Insulation Board application. Senergy Transition Treatment or sealant can be used to make transition onto pipe.
- Do not apply finish to areas that will receive sealant.
- GPS Rigid Insulation Board requires supplementary fasteners installed immediately after the board is adhesively attached and prior to the drying of the adhesive/base coat.
- Senergy Joint/Transition Treatment Options: SikaWall MaxFlash, SikaWall Sheathing Fabric embedded in Senershield-R/-RS/-VB or SikaWall Flash Seal NP

PCI-22

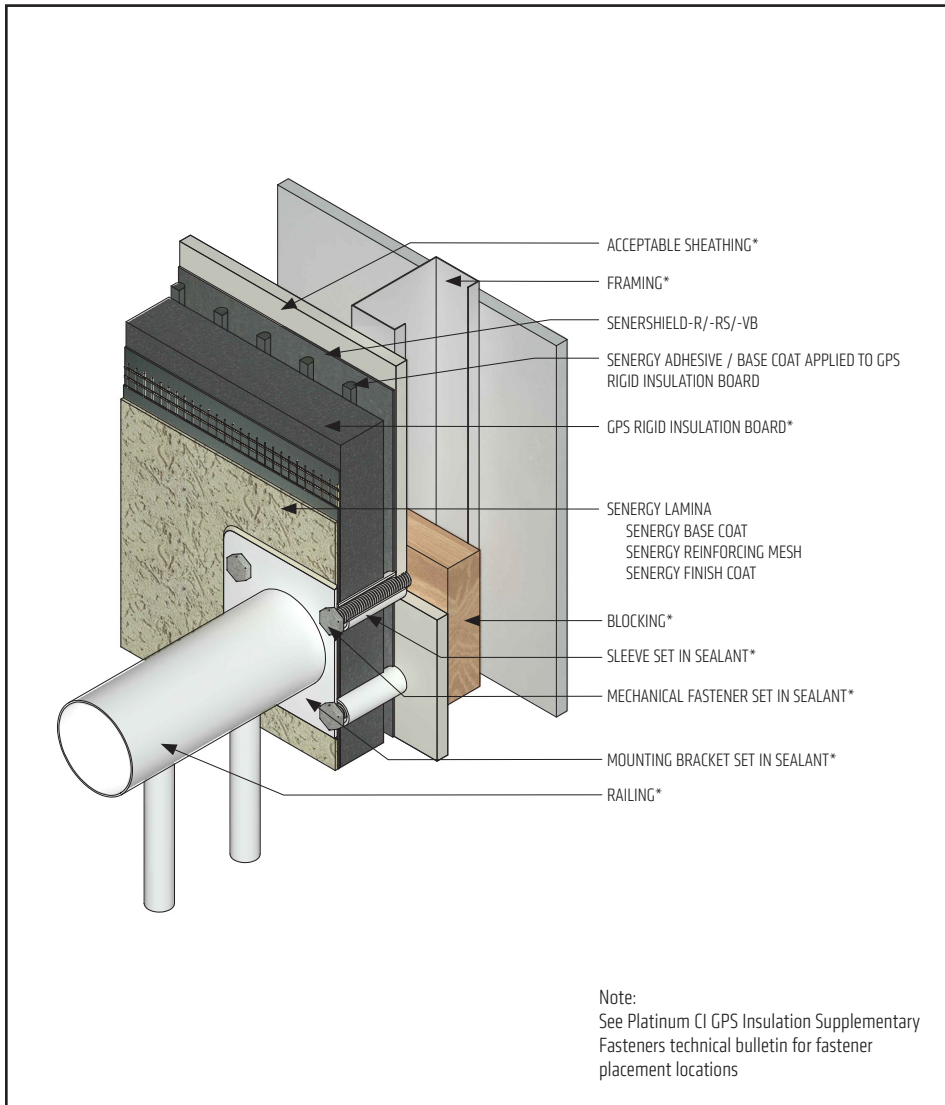
(*NOTE: BY OTHERS)

The details within are latest recommendations and are represent in good faith by Sika Corporation US (hereinafter Sika). The details are subject to change without notice. Sika accepts no liability for the end use of the details. For conditions not shown, consult Sika for review of specific details.

- Install Sika materials in accordance with current installation instructions.
- Unsatisfactory conditions shall be reported to the General Contractor and corrected before the application of Sika products.

Senerflex Platinum CI Details

TYPICAL RAILING ATTACHMENT



- All terminations must be fully encapsulated with mesh reinforced base coat.
- Ensure all penetrations into the system are properly sealed.
- GPS Rigid Insulation Board requires supplementary fasteners installed immediately after the board is adhesively attached and prior to the drying of the adhesive/base coat.

PCI-23

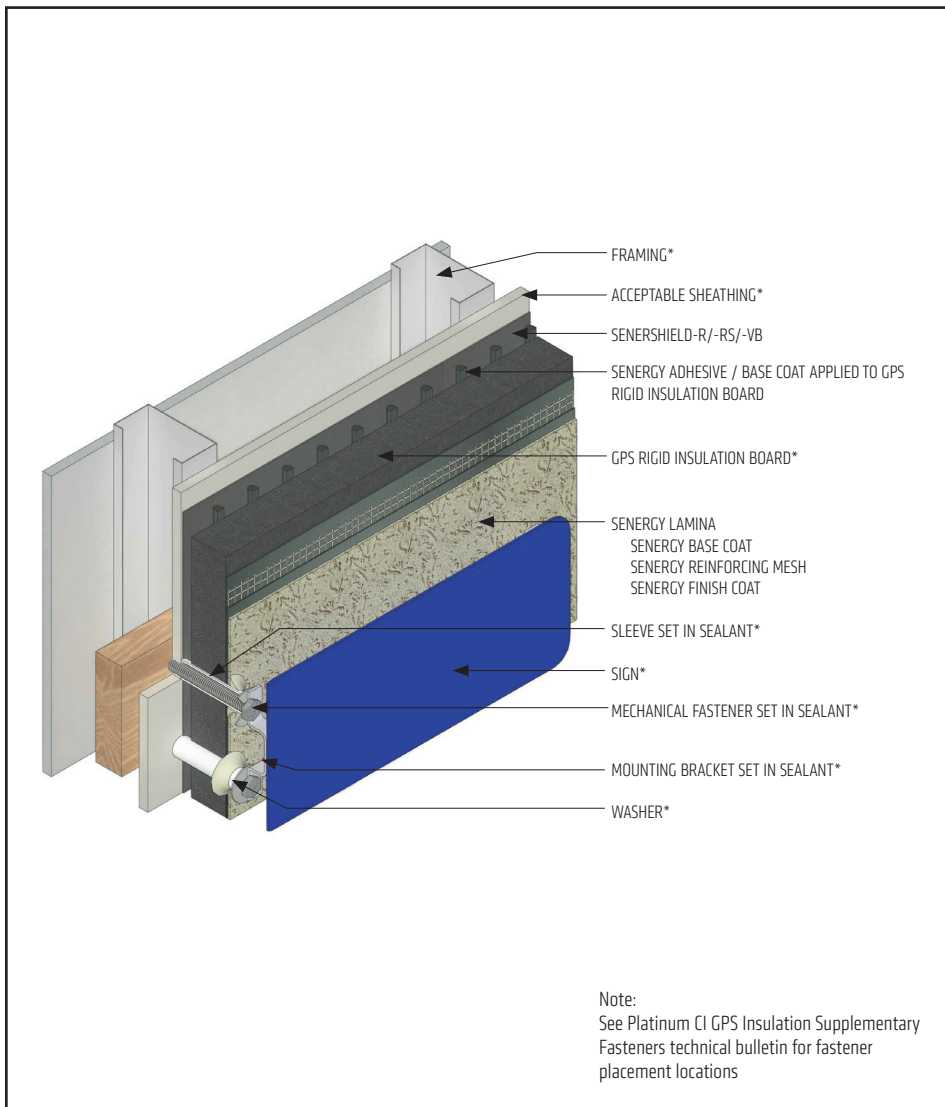
(*NOTE: BY OTHERS)

The details within are latest recommendations and are represent in good faith by Sika Corporation US (hereinafter Sika). The details are subject to change without notice. Sika accepts no liability for the end use of the details. For conditions not shown, consult Sika for review of specific details.

- Install Sika materials in accordance with current installation instructions.
- Unsatisfactory conditions shall be reported to the General Contractor and corrected before the application of Sika products.

Senerflex Platinum CI Details

TYPICAL SIGN ATTACHMENT



- All terminations must be fully encapsulated with mesh reinforced base coat.
- Ensure all penetrations into the system are properly sealed.
- GPS Rigid Insulation Board requires supplementary fasteners installed immediately after the board is adhesively attached and prior to the drying of the adhesive/base coat.

PCI-24

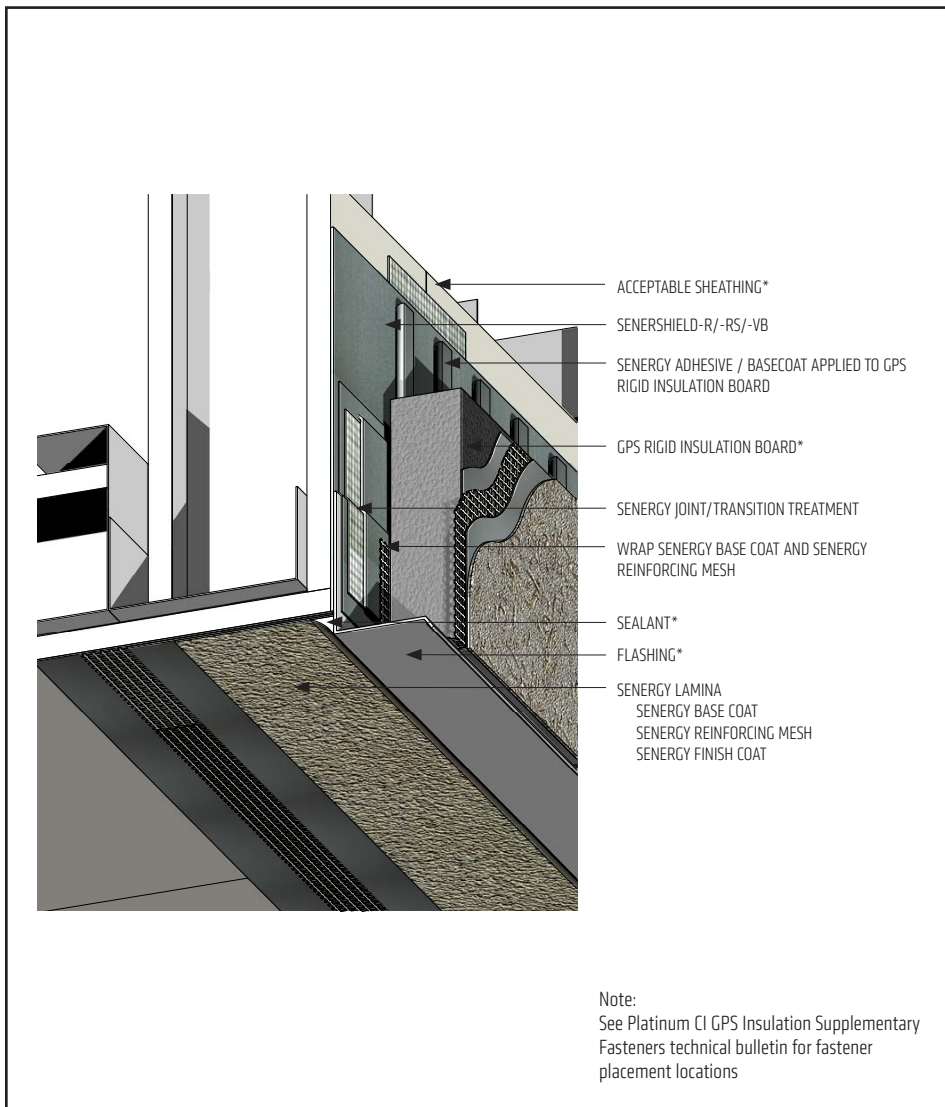
(*NOTE: BY OTHERS)

The details within are latest recommendations and are represent in good faith by Sika Corporation US (hereinafter Sika). The details are subject to change without notice. Sika accepts no liability for the end use of the details. For conditions not shown, consult Sika for review of specific details.

- Install Sika materials in accordance with current installation instructions.
- Unsatisfactory conditions shall be reported to the General Contractor and corrected before the application of Sika products.

Senerflex Platinum CI Details

TYPICAL APPLICATION DIRECT APPLIED AT FASCIA/SOFFIT



- All terminations must be fully encapsulated with mesh reinforced base coat.
- Ensure a means for drainage is provided at soffit/fascia transition.
- GPS Rigid Insulation Board requires supplementary fasteners installed immediately after the board is adhesively attached and prior to the drying of the adhesive/base coat.
- Senergy Joint/Transition Treatment Options: SikaWall MaxFlash, SikaWall Sheathing Fabric embedded in Senersshield-R/-RS/-VB or SikaWall Flash Seal NP.

PCI-25

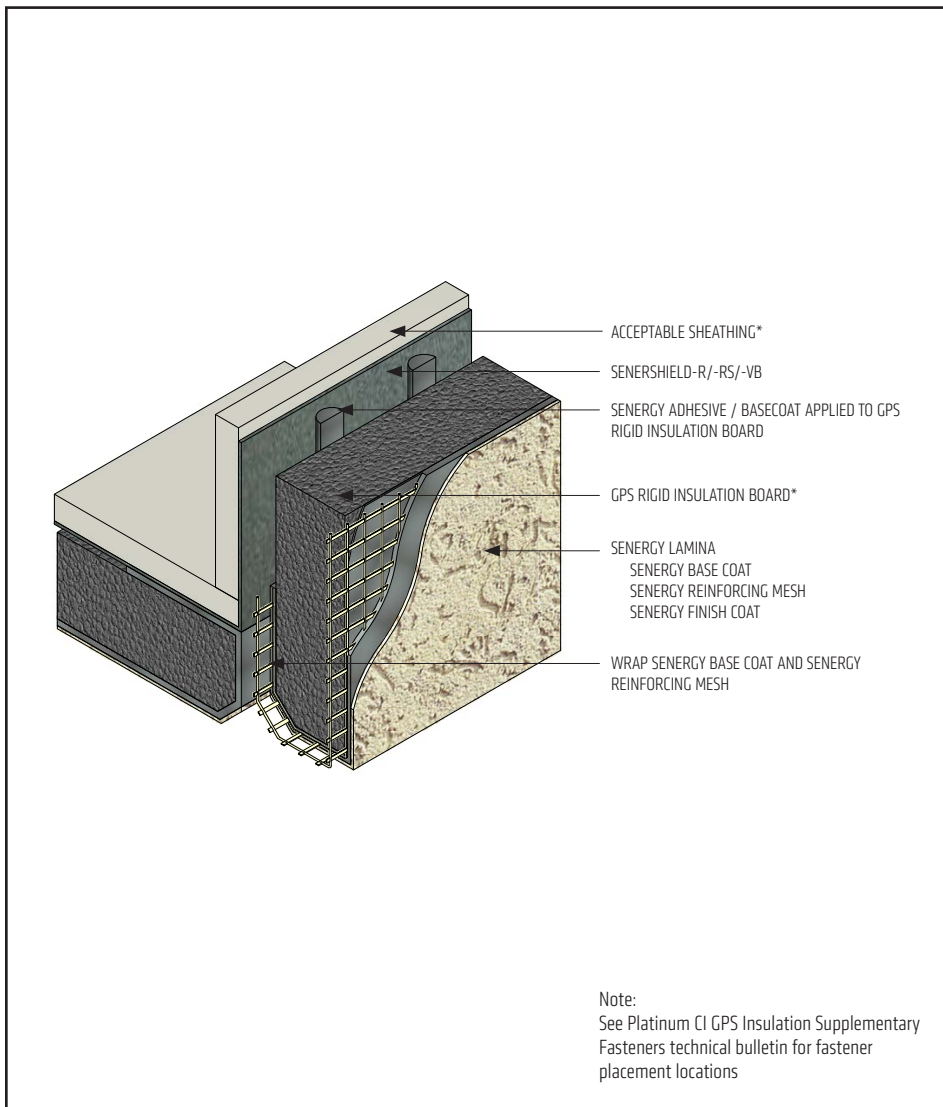
(*NOTE: BY OTHERS)

The details within are latest recommendations and are represent in good faith by Sika Corporation US (hereinafter Sika). The details are subject to change without notice. Sika accepts no liability for the end use of the details. For conditions not shown, consult Sika for review of specific details.

- Install Sika materials in accordance with current installation instructions.
- Unsatisfactory conditions shall be reported to the General Contractor and corrected before the application of Sika products.

Senerflex Platinum CI Details

TYPICAL SECTION AT FASCIA/SOFFIT



- All terminations must be fully encapsulated with mesh reinforced base coat.
- Ensure a means for drainage is provided at system termination at soffit/fascia transition.
- GPS Rigid Insulation Board requires supplementary fasteners installed immediately after the board is adhesively attached and prior to the drying of the adhesive/base coat.

PCI-26

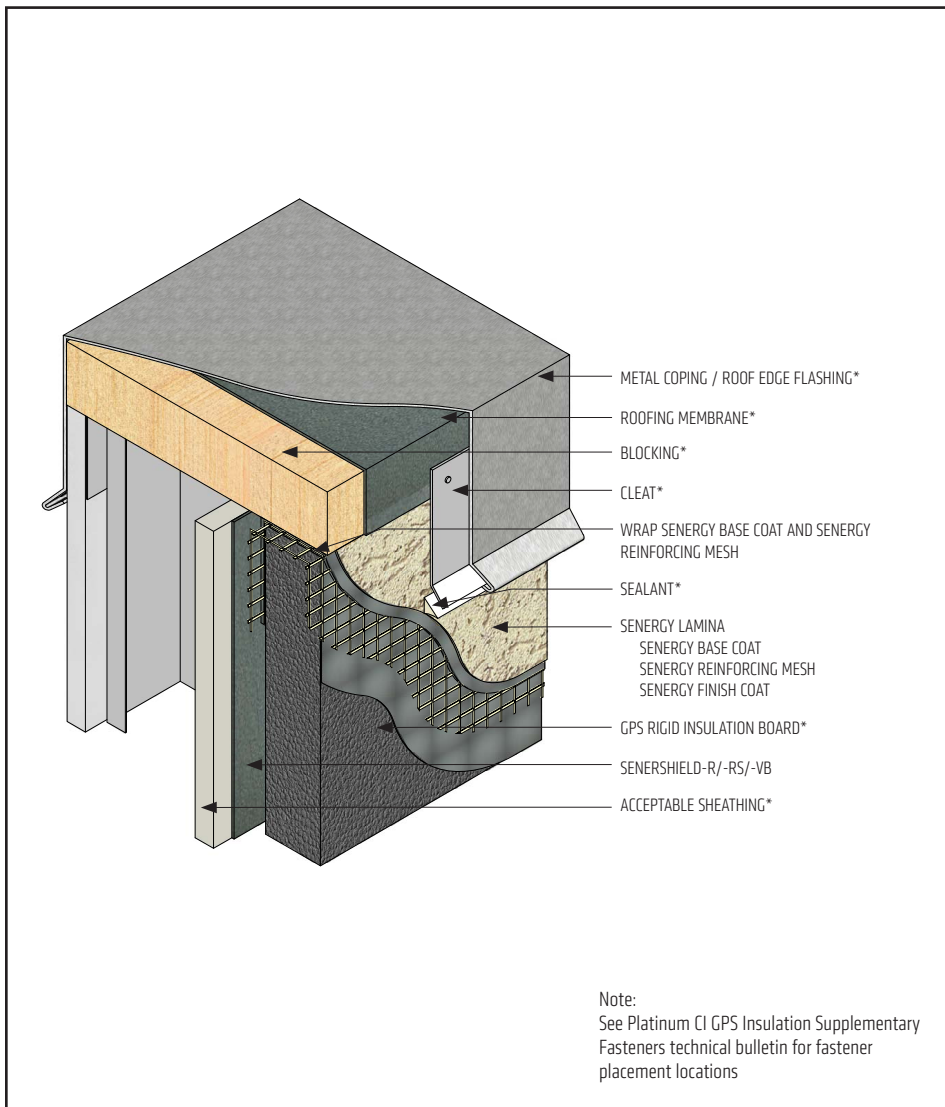
(*NOTE: BY OTHERS)

The details within are latest recommendations and are represent in good faith by Sika Corporation US (hereinafter Sika). The details are subject to change without notice. Sika accepts no liability for the end use of the details. For conditions not shown, consult Sika for review of specific details.

- Install Sika materials in accordance with current installation instructions.
- Unsatisfactory conditions shall be reported to the General Contractor and corrected before the application of Sika products.

Senerflex Platinum CI Details

TYPICAL COPING / ROOF EDGE FLASHING



- All terminations must be fully encapsulated with mesh reinforced base coat.
- Ensure that metal coping/flashing extends onto the system a minimum of 2" (50 mm) down the face and drip edge is sealed.
- GPS Rigid Insulation Board requires supplementary fasteners installed immediately after the board is adhesively attached and prior to the drying of the adhesive/base coat.

PCI-27

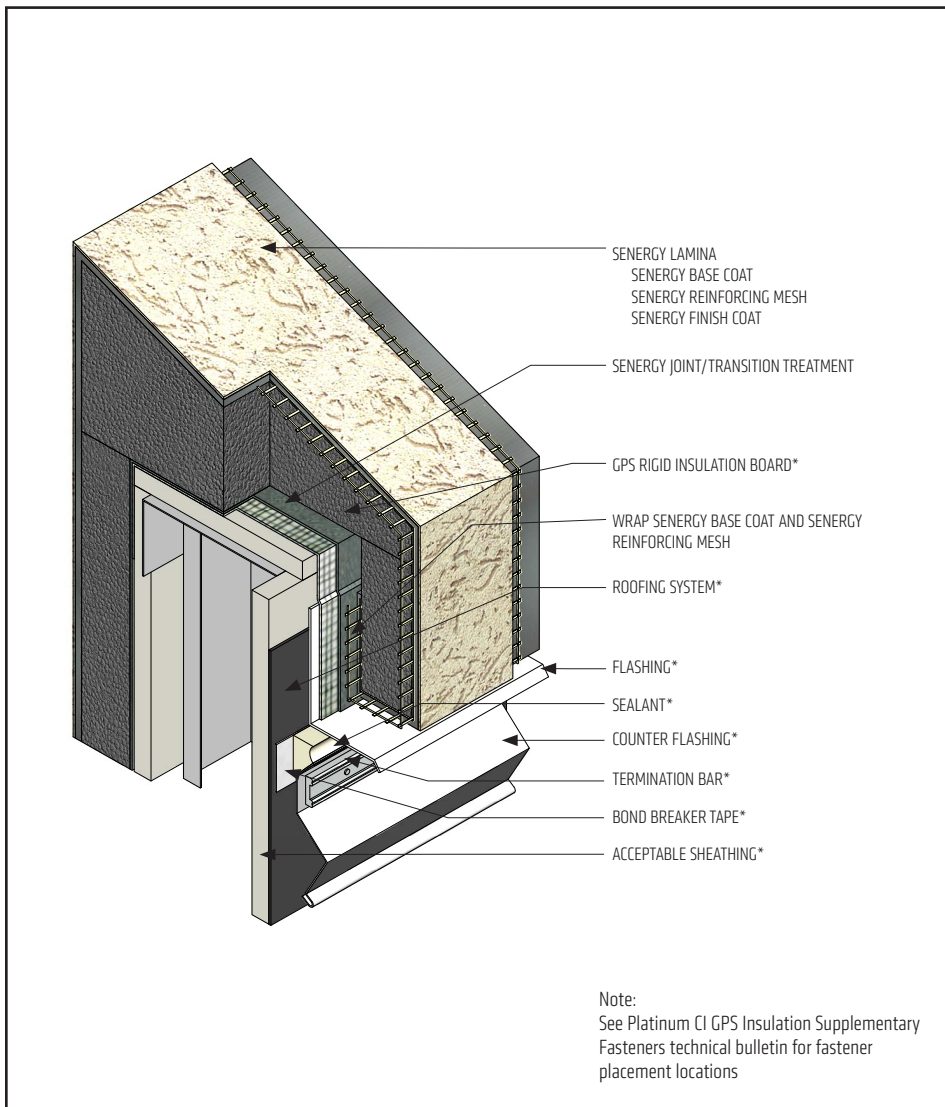
(*NOTE: BY OTHERS)

The details within are latest recommendations and are represent in good faith by Sika Corporation US (hereinafter Sika). The details are subject to change without notice. Sika accepts no liability for the end use of the details. For conditions not shown, consult Sika for review of specific details.

- Install Sika materials in accordance with current installation instructions.
- Unsatisfactory conditions shall be reported to the General Contractor and corrected before the application of Sika products.

Senerflex Platinum CI Details

TYPICAL PARAPET CAP



- Provide a minimum 6:12 slope for all horizontal surfaces. A roofing system or metal cap flashing must be used for sloped surfaces over 24" (610 mm).
- Additional layers of mesh reinforced base coat is recommended when sloped surfaces exceed 12" (305 mm).
- Ensure a means for drainage is provided at system termination at roof.
- Terminate system a minimum of 8" (203 mm) above flat roof. Do not extend roofing beyond height of flashing flange.
- Maintain a minimum 1" (25 mm) thick GPS Rigid Insulation Board.
- GPS Rigid Insulation Board requires supplementary fasteners installed immediately after the board is adhesively attached and prior to the drying of the adhesive/base coat.
- Senergy Joint/Transition Treatment Options: SikaWall MaxFlash, SikaWall Sheathing Fabric embedded in Senershield-R/-RS/-VB or SikaWall Flash Seal NP

PCI-28

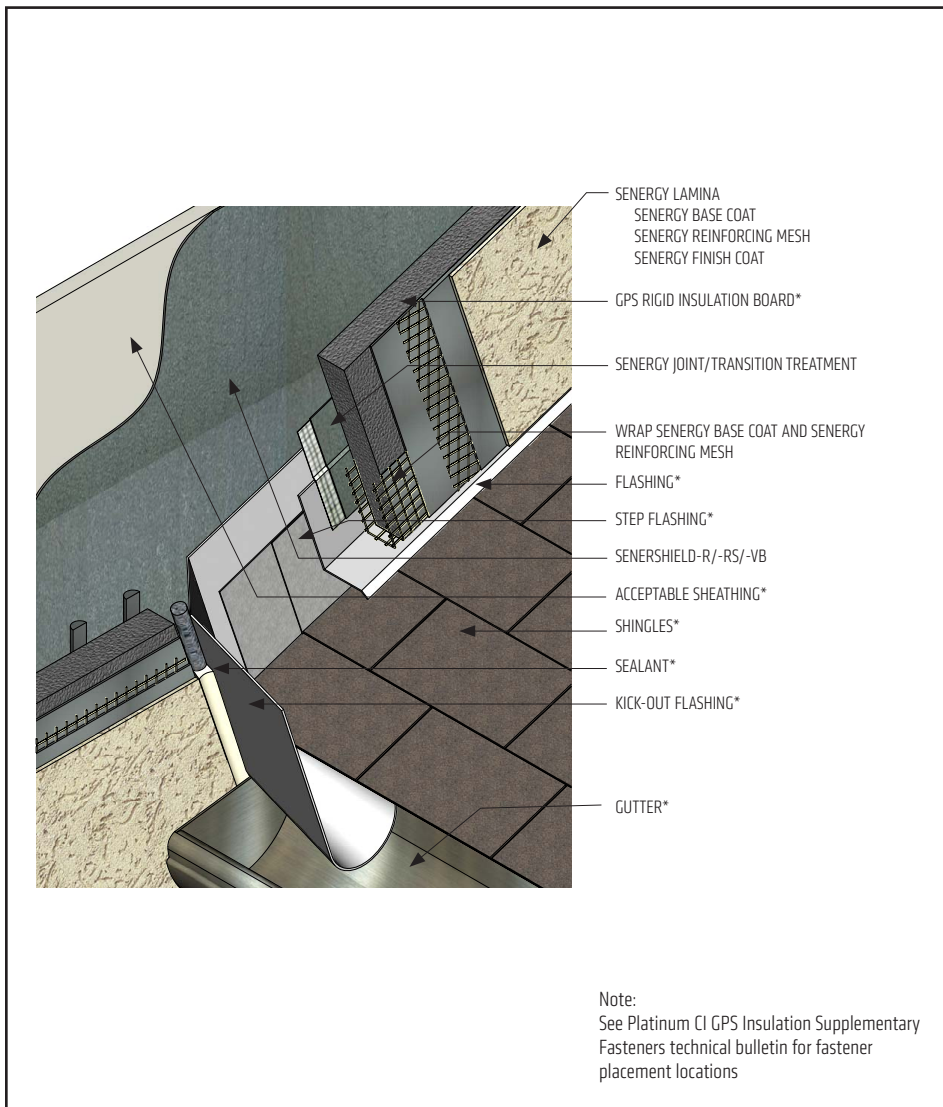
(*NOTE: BY OTHERS)

The details within are latest recommendations and are represent in good faith by Sika Corporation US (hereinafter Sika). The details are subject to change without notice. Sika accepts no liability for the end use of the details. For conditions not shown, consult Sika for review of specific details.

- Install Sika materials in accordance with current installation instructions.
- Unsatisfactory conditions shall be reported to the General Contractor and corrected before the application of Sika products.

Senerflex Platinum CI Details

TYPICAL KICK-OUT FLASHING



- All terminations must be fully encapsulated with mesh reinforced base coat.
- Ensure a means for drainage is provided at system termination at roof.
- Terminate system a minimum of 2" (50 mm) above sloped roof.
- Ensure step flashing is a minimum of 2" (50 mm) behind system.
- Kick-out flashing: sealed or soldered seams, recommended minimum 4" (100 mm) in height, extend minimum 2" (50 mm) from system and angled to direct water into gutter / away from wall surface.
- Do not apply finish to areas that will receive sealant.
- GPS Rigid Insulation Board requires supplementary fasteners installed immediately after the board is adhesively attached and prior to the drying of the adhesive/base coat.

PCI-29

(*NOTE: BY OTHERS)

The details within are latest recommendations and are represent in good faith by Sika Corporation US (hereinafter Sika). The details are subject to change without notice. Sika accepts no liability for the end use of the details. For conditions not shown, consult Sika for review of specific details.

- Install Sika materials in accordance with current installation instructions.
- Unsatisfactory conditions shall be reported to the General Contractor and corrected before the application of Sika products.



LIMITED WARRANTY NOTICE

Prior to each use of any product of Sika Corporation, its subsidiaries or affiliates ("SIKA"), the user must always read and follow the warnings and instructions on the product's most current product label, Product Data Sheet and Safety Data Sheet which are available at usa.sika.com/senenergy or by calling our Technical Service Department at +1 (800) 589-1336.

Nothing contained in any SIKA literature or materials relieves the user of the obligation to read and follow the warnings and instructions for each SIKA product as set forth in the current product label, Product Data Sheet and Safety Data Sheet prior to use of the SIKA product.

SIKA warrants this product for one year from date of installation to be free from manufacturing defects and to meet the technical properties on the current Product Data Sheet if used as directed within the product's shelf life. User determines suitability of product for intended use and assumes all risks. User's and/or buyer's sole remedy shall be limited to the purchase price or replacement of this product exclusive of any labor costs. NO OTHER WARRANTIES EXPRESS OR IMPLIED SHALL APPLY INCLUDING ANY WARRANTY OF MERCHANTABILITY OR FITNESS FOR A PARTICULAR PURPOSE. SIKA SHALL NOT BE LIABLE UNDER ANY LEGAL THEORY FOR SPECIAL OR CONSEQUENTIAL DAMAGES. SIKA SHALL NOT BE RESPONSIBLE FOR THE USE OF THIS PRODUCT IN A MANNER TO INFRINGE ON ANY PATENT OR ANY OTHER INTELLECTUAL PROPERTY RIGHTS HELD BY OTHERS. Sale of SIKA products are subject to the Terms and Conditions of Sale which are available at usa.sika.com.

For the most current version of this literature, please visit our website at usa.sika.com/senergy.

Sika Corporation

201 Polito Avenue
Lyndhurst, NJ 07071 USA
Customer Service +1 (800) 433-9517
Technical Service +1 (800) 589-1336
usa.sika.com/senergy

Rev April 2024

BUILDING TRUST

