



# SikaWall<sup>®</sup>-80 MaxFlash

Framed and Masonry/Concrete construction incorporating SikaWall-80 MaxFlash Liquid Flashing Membrane

Typical Details

# SikaWall<sup>®</sup>-80 MaxFlash

## Typical Details

### TABLE OF CONTENTS

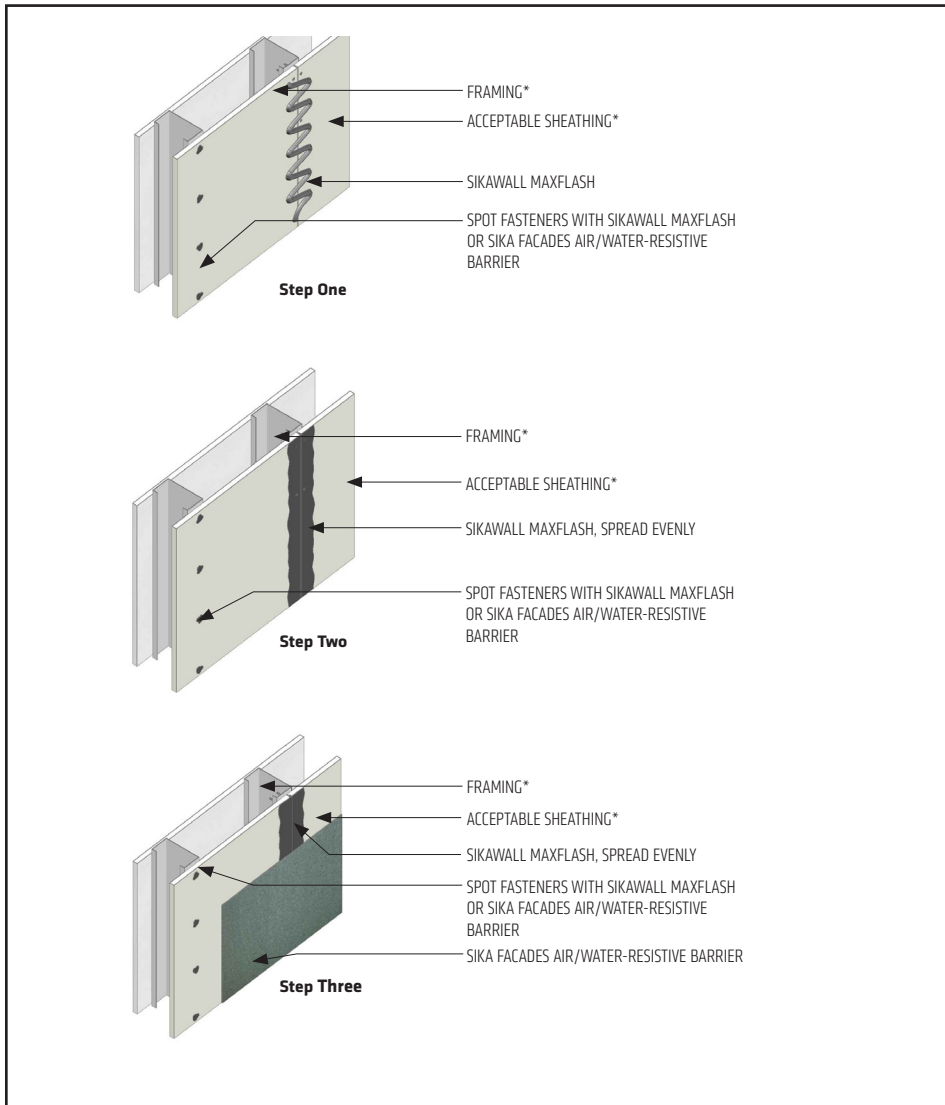
1. Joint and Fastener Treatment
2. Rough Opening Treatment on Masonry Construction without Buck
3. Rough Opening Treatment on Framed Construction without Buck
4. Rough Opening Treatment on Masonry Construction with Flushed Buck
5. Rough Opening Treatment on Framed Construction with Flushed Buck
6. Rough Opening Treatment on Masonry Construction with a Recessed Buck
7. Rough Opening Treatment on Framed Construction with a Recessed Buck
8. Rough Opening Treatment on Masonry Construction with a Protruding Buck
9. Rough Opening Treatment on Framed Construction with a Protruding Buck
10. Termination at Grade
11. Pipe Penetration
12. Sheathing Joint – Inside Corner
13. Sheathing Joint – Outside Corner

### Notes:

- **The details within are latest recommendations and are represent in good faith by Sika Corporation US (hereinafter Sika). The details are subject to change without notice. Sika accepts no liability for the end use of the details. For conditions not shown, consult Sika for review of specific details.**
- **Install Sika materials in accordance with current installation instructions.**
- **Unsatisfactory conditions shall be reported to the General Contractor and corrected before the application of Sika products.**

# SikaWall®-80 MaxFlash

## TYPICAL SHEATHING JOINT AND FASTENER TREATMENT



- Ensure that SikaWall MaxFlash is applied to sheathing joints at a 20 mil thickness.
- Extend SikaWall MaxFlash at least 1" (25 mm) on either side of sheathing joints.
- Allow SikaWall MaxFlash to skin before applying Sika Facades fluid-applied air/water-resistant barrier.
- MaxFlash can be used to treat sheathing joints up to 1/2" wide, not for use in expansion joints.

MF-01 2501

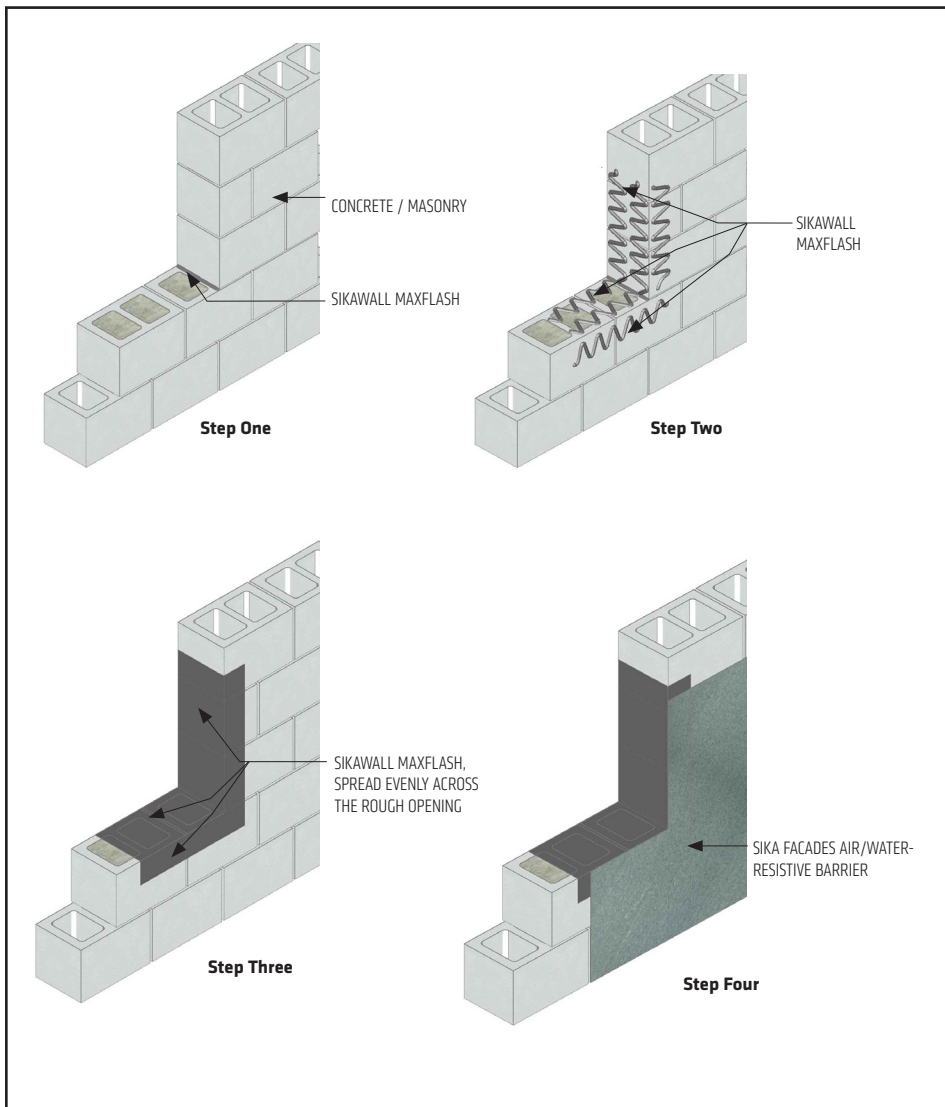
(\*NOTE: BY OTHERS)

The details within are the latest recommendations and are represented in good faith by Sika Corporation US (hereinafter Sika). The details are subject to change without notice. Sika accepts no liability for the end use of the details. For conditions not shown, consult Sika for review of specific details.

- Install Sika materials in accordance with current installation instructions.
- Unsatisfactory conditions shall be reported to the General Contractor and corrected before the application of Sika products.

# SikaWall®-80 MaxFlash

## TYPICAL ROUGH OPENING TREATMENT ON MASONRY OR CONCRETE CONSTRUCTION WITHOUT BUCK



- Ensure that SikaWall MaxFlash is uniformly applied to rough openings at a 12–20 mil thickness.
- Extend SikaWall MaxFlash at least 4" (100mm) onto the exterior wall, maintaining 12–20 mil thickness.
- Allow SikaWall MaxFlash to skin before applying Sika Facades fluid-applied air/water-resistive barrier.
- Lap air/water-resistive barrier at least 2" (50 mm) onto SikaWall MaxFlash, creating a continuous, monolithic air/water-resistive barrier.

MF-02 2501

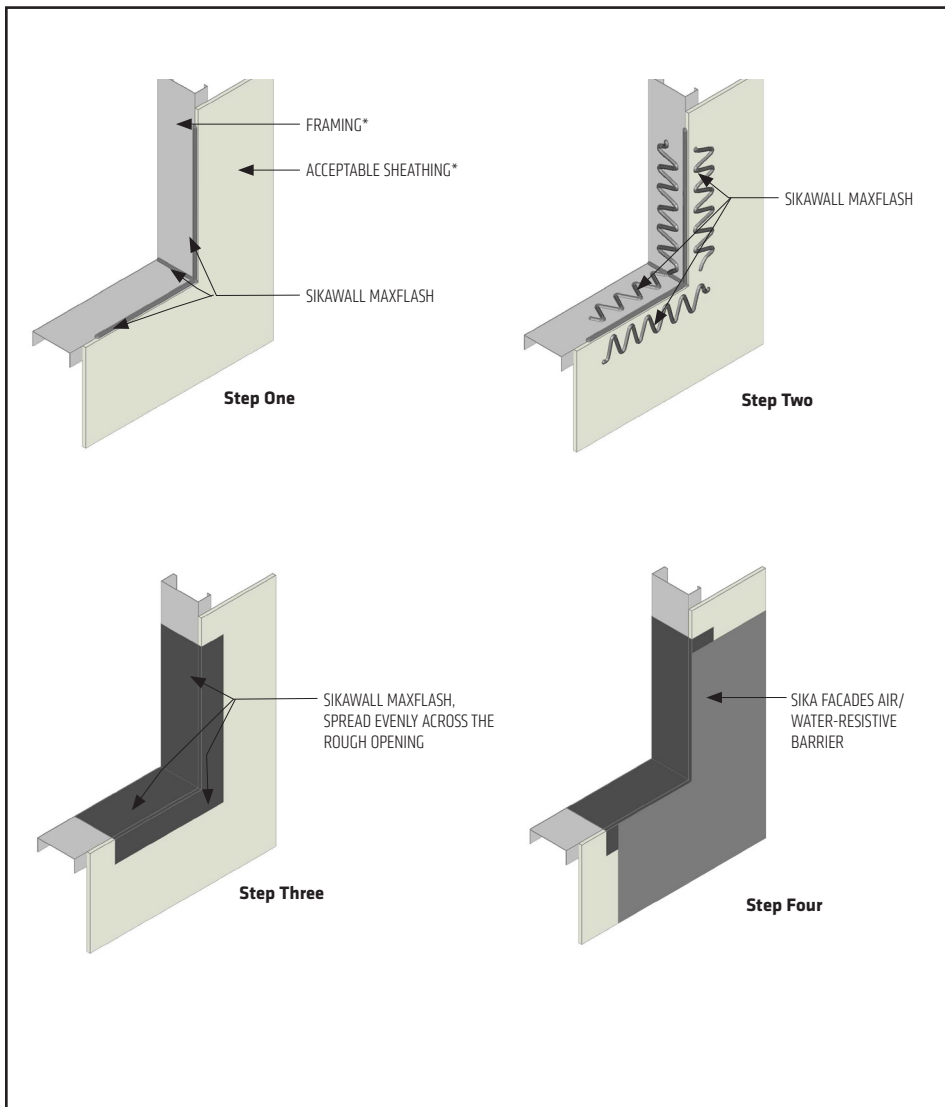
(\*NOTE: BY OTHERS)

The details within are the latest recommendations and are represented in good faith by Sika Corporation US (hereinafter Sika). The details are subject to change without notice. Sika accepts no liability for the end use of the details. For conditions not shown, consult Sika for review of specific details.

- Install Sika materials in accordance with current installation instructions.
- Unsatisfactory conditions shall be reported to the General Contractor and corrected before the application of Sika products.

# SikaWall®-80 MaxFlash

## TYPICAL ROUGH OPENING TREATMENT ON FRAMED CONSTRUCTION WITHOUT BUCK



- Ensure that SikaWall MaxFlash is uniformly applied to rough openings at a 12-20 mil thickness.
- Ensure that SikaWall MaxFlash is applied to sheathing joints at a 20 mil thickness.
- Extend SikaWall MaxFlash at least 4" (100 mm) onto the exterior wall, maintaining 12- 20 mil thickness.
- Allow SikaWall MaxFlash to skin before applying Sika Facades fluid-applied air/water-resistive barrier.
- Lap air/water-resistive barrier at least 2" (50 mm) onto SikaWall MaxFlash, creating a continuous, monolithic air/water-resistive barrier.

MF-03 2501

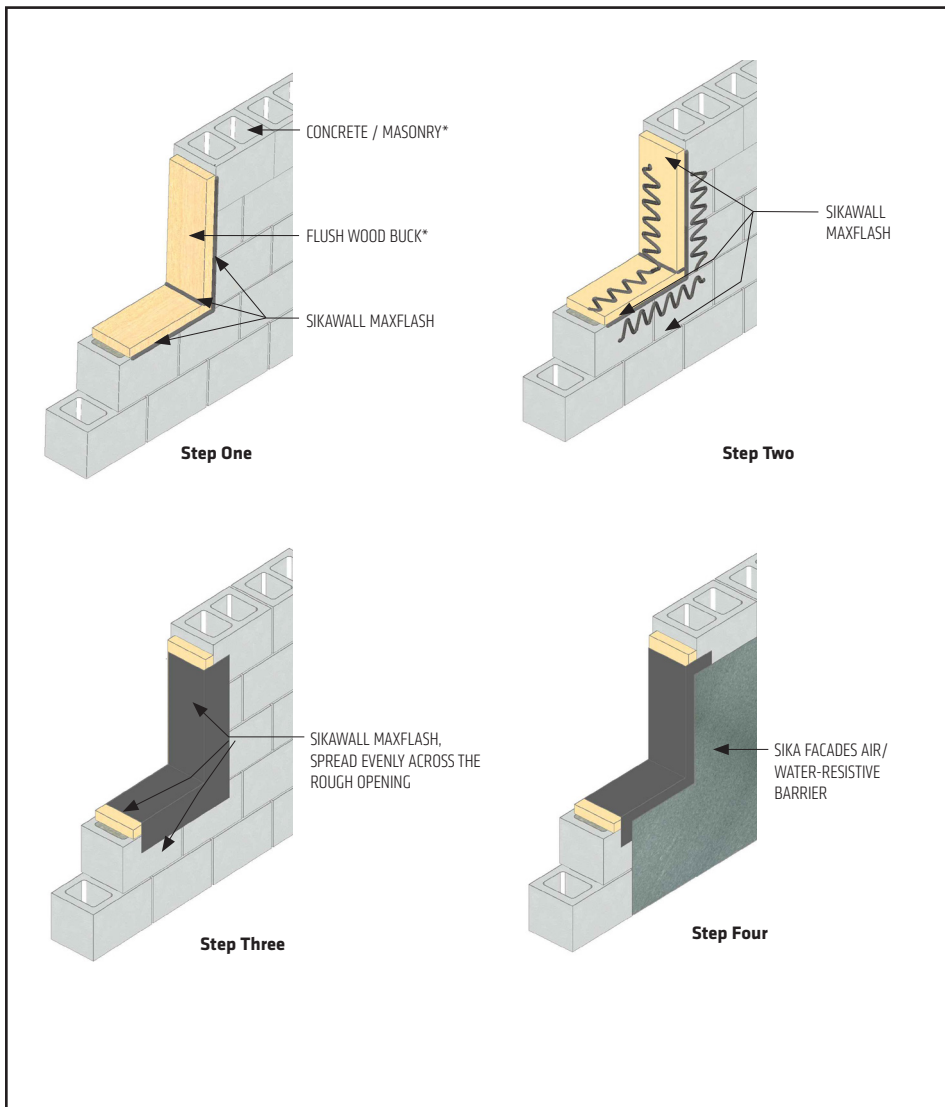
(\*NOTE: BY OTHERS)

The details within are the latest recommendations and are represented in good faith by Sika Corporation US (hereinafter Sika). The details are subject to change without notice. Sika accepts no liability for the end use of the details. For conditions not shown, consult Sika for review of specific details.

- Install Sika materials in accordance with current installation instructions.
- Unsatisfactory conditions shall be reported to the General Contractor and corrected before the application of Sika products.

# SikaWall®-80 MaxFlash

## TYPICAL ROUGH OPENING TREATMENT ON MASONRY OR CONCRETE CONSTRUCTION WITH FLUSH BUCK



- Ensure that SikaWall MaxFlash is uniformly applied at a 12-20 mil thickness.
- Extend SikaWall MaxFlash at least 4" (100 mm) onto the exterior wall, maintaining 12-20 mil thickness.
- Allow SikaWall MaxFlash to skin before applying Sika Facades fluid-applied air/water-resistive barrier.
- Lap air/water-resistive barrier at least 2" (50 mm) onto MaxFlash, creating a continuous, monolithic air/water-resistive barrier.

MF-04 2501

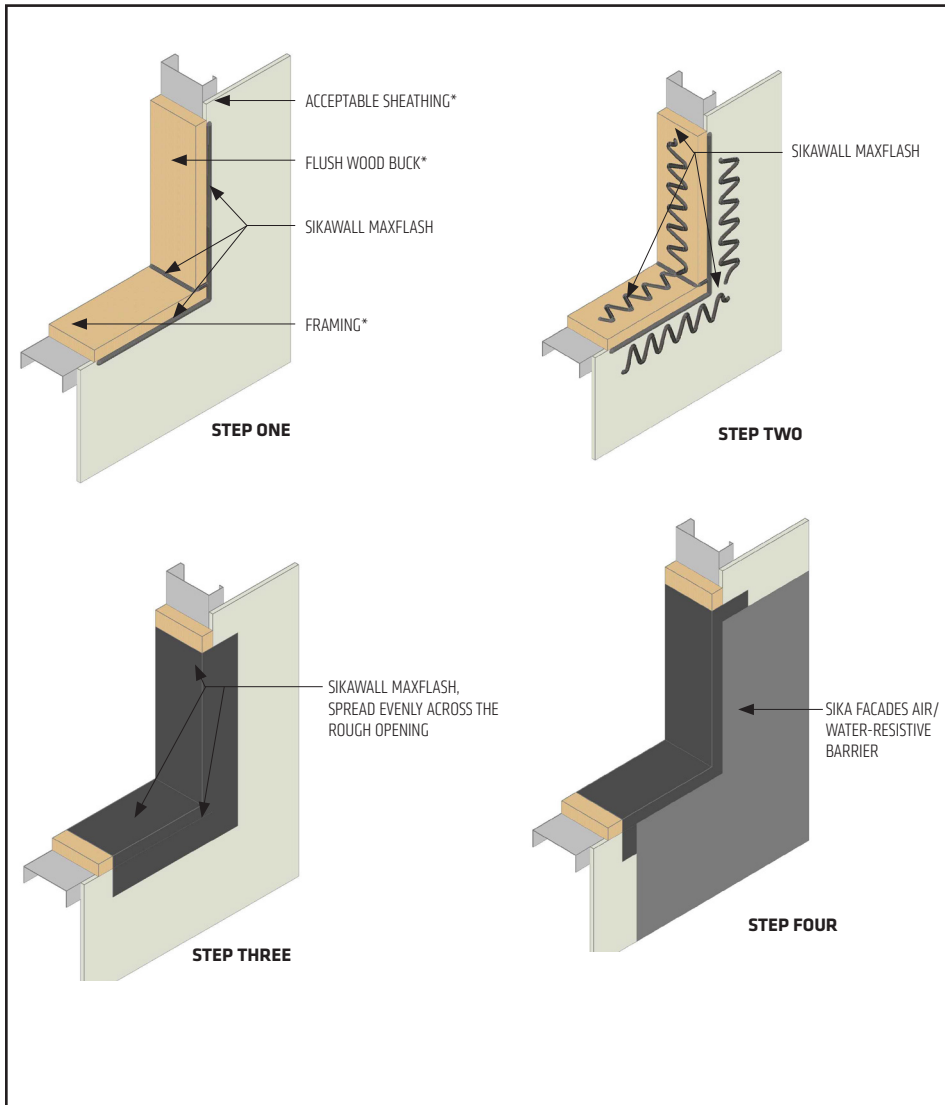
(\*NOTE: BY OTHERS)

The details within are the latest recommendations and are represented in good faith by Sika Corporation US (hereinafter Sika). The details are subject to change without notice. Sika accepts no liability for the end use of the details. For conditions not shown, consult Sika for review of specific details.

- Install Sika materials in accordance with current installation instructions.
- Unsatisfactory conditions shall be reported to the General Contractor and corrected before the application of Sika products.

# SikaWall®-80 MaxFlash

## TYPICAL ROUGH OPENING TREATMENT ON FRAMED CONSTRUCTION WITH FLUSH BUCK



- Ensure that SikaWall MaxFlash is uniformly applied rough openings at a 12–20 mil thickness.
- Ensure that SikaWall MaxFlash is applied to sheathing joints at a 20 mil thickness.
- Extend SikaWall MaxFlash at least 4" (100 mm) onto the exterior wall, maintaining 12–20 mil thickness.
- Allow SikaWall MaxFlash to skin before applying Sika Facades fluid-applied air/water-resistant barrier.
- Lap air/water-resistant barrier at least 2" (50 mm) onto MaxFlash, creating a continuous, monolithic air/water-resistant barrier.

MF-05 2501

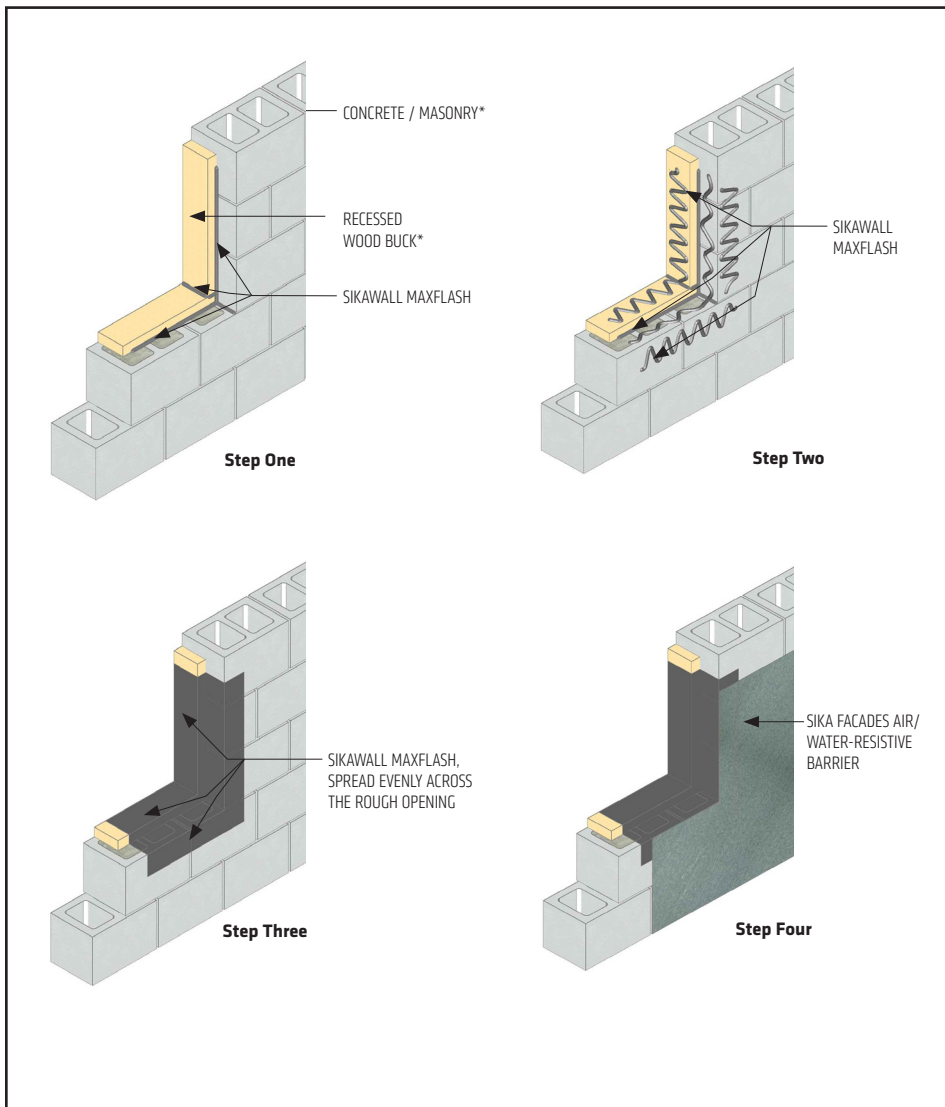
(\*NOTE: BY OTHERS)

The details within are the latest recommendations and are represented in good faith by Sika Corporation US (hereinafter Sika). The details are subject to change without notice. Sika accepts no liability for the end use of the details. For conditions not shown, consult Sika for review of specific details.

- Install Sika materials in accordance with current installation instructions.
- Unsatisfactory conditions shall be reported to the General Contractor and corrected before the application of Sika products.

# SikaWall®-80 MaxFlash

## TYPICAL ROUGH OPENING TREATMENT ON MASONRY OR CONCRETE CONSTRUCTION WITH A RECESSED BUCK



- Ensure that SikaWall MaxFlash is uniformly applied at a 12-20 mil thickness.
- Extend SikaWall MaxFlash at least 4" (100 mm) onto the exterior wall, maintaining 12- 20 mil thickness.
- Allow SikaWall MaxFlash to skin before applying Sika Facades fluid-applied air/water-resistive barrier.
- Lap air/water-resistive barrier at least 2" (50 mm) onto SikaWall MaxFlash, creating a continuous, monolithic air/water-resistive barrier.

MF-06 2501

(\*NOTE: BY OTHERS)

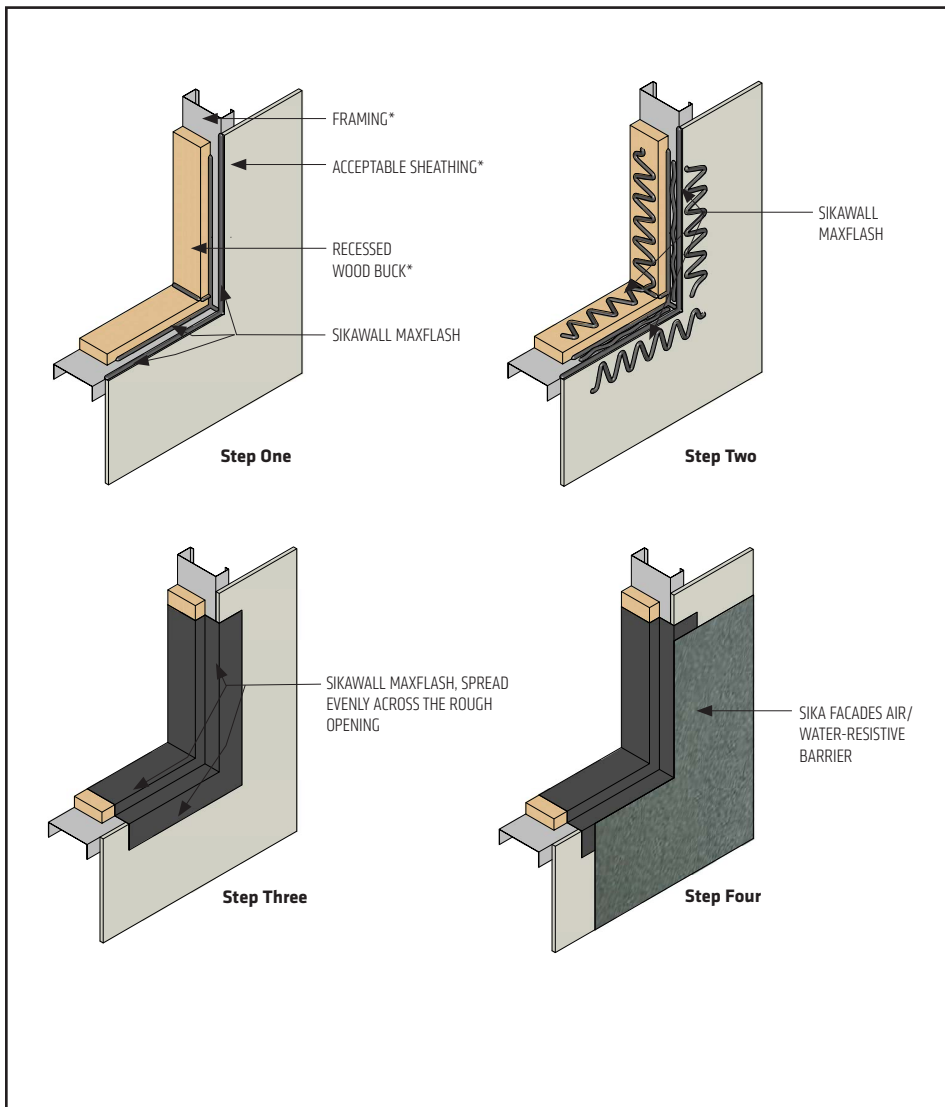
The details within are the latest recommendations and are represented in good faith by Sika Corporation US (hereinafter Sika). The details are subject to change without notice. Sika accepts no liability for the end use of the details. For conditions not shown, consult Sika for review of specific details.

- Install Sika materials in accordance with current installation instructions.
- Unsatisfactory conditions shall be reported to the General Contractor and corrected before the application of Sika products.



# SikaWall®-80 MaxFlash

## TYPICAL ROUGH OPENING TREATMENT ON FRAMED CONSTRUCTION WITH A RECESSED BUCK



- Ensure that SikaWall MaxFlash is uniformly applied to rough openings at a 12- 20 mil thickness.
- Ensure that SikaWall MaxFlash is applied to sheathing joints at a 20 mil thickness.
- Extend SikaWall MaxFlash at least 4" (100 mm) onto the exterior wall, maintaining 12- 20 mil thickness.
- Allow SikaWall MaxFlash to skin before applying Sika Facades fluid-applied air/water-resistant barrier.
- Lap air/water-resistant barrier at least 2" (50 mm) onto SikaWall MaxFlash, creating a continuous, monolithic air/water-resistant barrier.

MF-07 2501

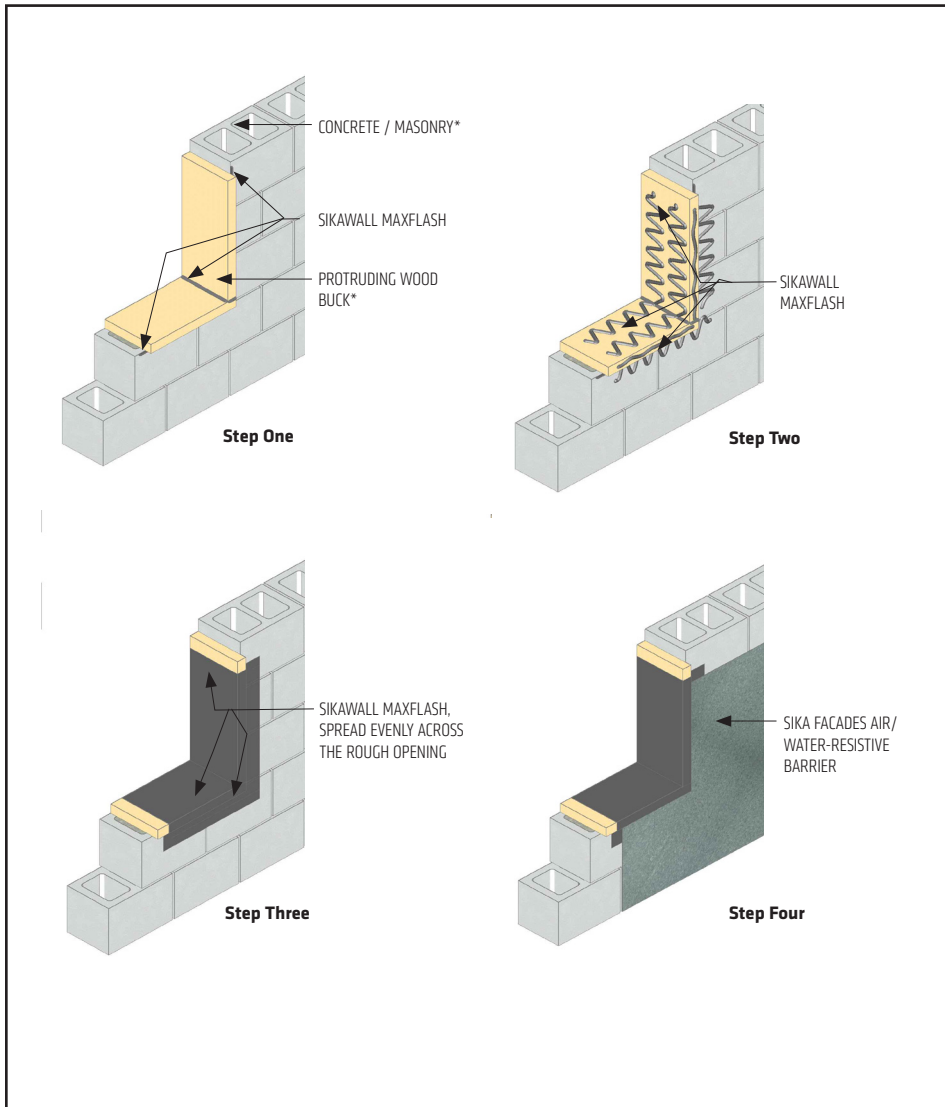
(\*NOTE: BY OTHERS)

The details within are the latest recommendations and are represented in good faith by Sika Corporation US (hereinafter Sika). The details are subject to change without notice. Sika accepts no liability for the end use of the details. For conditions not shown, consult Sika for review of specific details.

- Install Sika materials in accordance with current installation instructions.
- Unsatisfactory conditions shall be reported to the General Contractor and corrected before the application of Sika products.

# SikaWall®-80 MaxFlash

## TYPICAL ROUGH OPENING TREATMENT ON MASONRY OR CONCRETE CONSTRUCTION WITH A PROTRUDING



- Ensure that SikaWall MaxFlash is uniformly applied at a 12–20 mil thickness.
- Extend SikaWall MaxFlash at least 4" (100 mm) onto the exterior wall, maintaining 12- 20 mil thickness.
- Allow SikaWall MaxFlash to skin before applying Sika Facades fluid-applied air/water-resistive barrier.
- Lap air/water-resistive barrier at least 2" (50 mm) onto SikaWall MaxFlash, creating a continuous, monolithic air/water-resistive barrier.

MF-08 2501

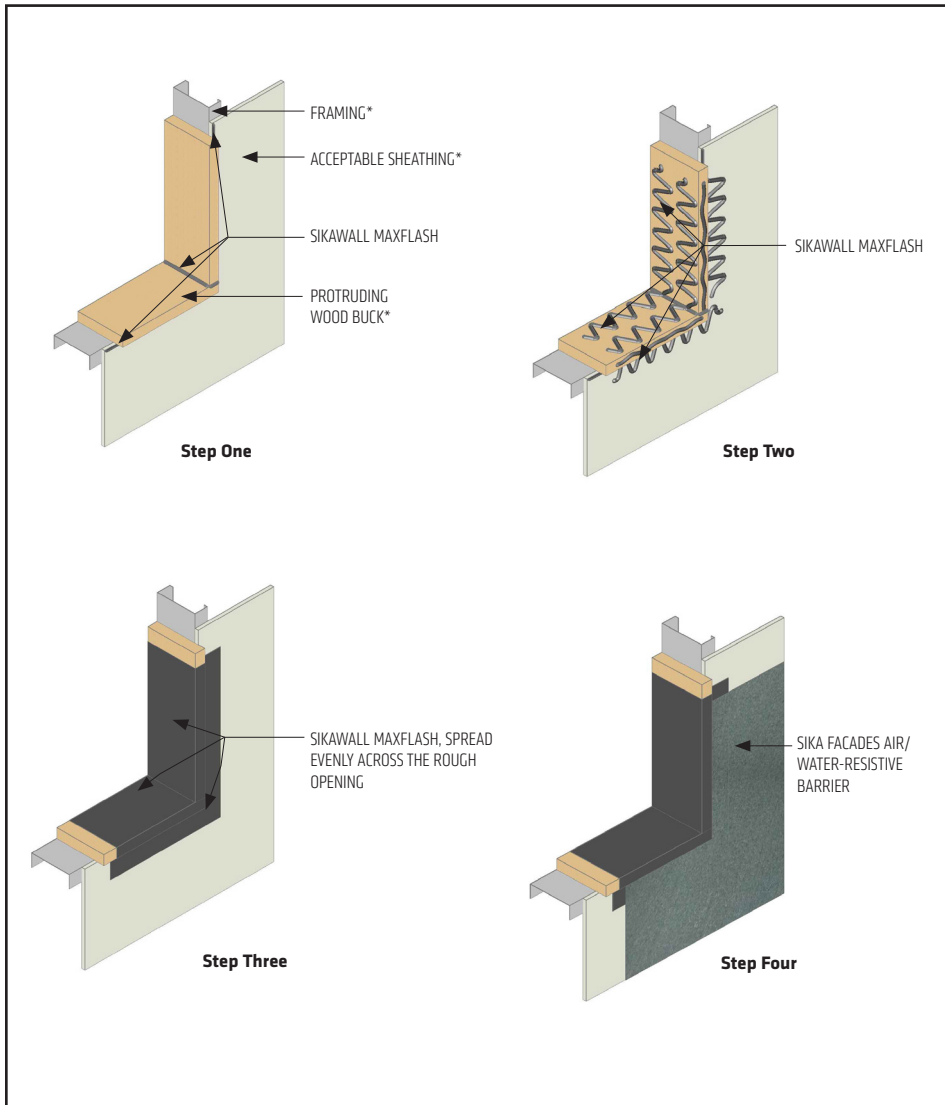
(\*NOTE: BY OTHERS)

The details within are the latest recommendations and are represented in good faith by Sika Corporation US (hereinafter Sika). The details are subject to change without notice. Sika accepts no liability for the end use of the details. For conditions not shown, consult Sika for review of specific details.

- Install Sika materials in accordance with current installation instructions.
- Unsatisfactory conditions shall be reported to the General Contractor and corrected before the application of Sika products.

# SikaWall®-80 MaxFlash

## TYPICAL ROUGH OPENING TREATMENT ON FRAMED CONSTRUCTION WITH A PROTRUDING BUCK



MF-09 2501

(\*NOTE: BY OTHERS)

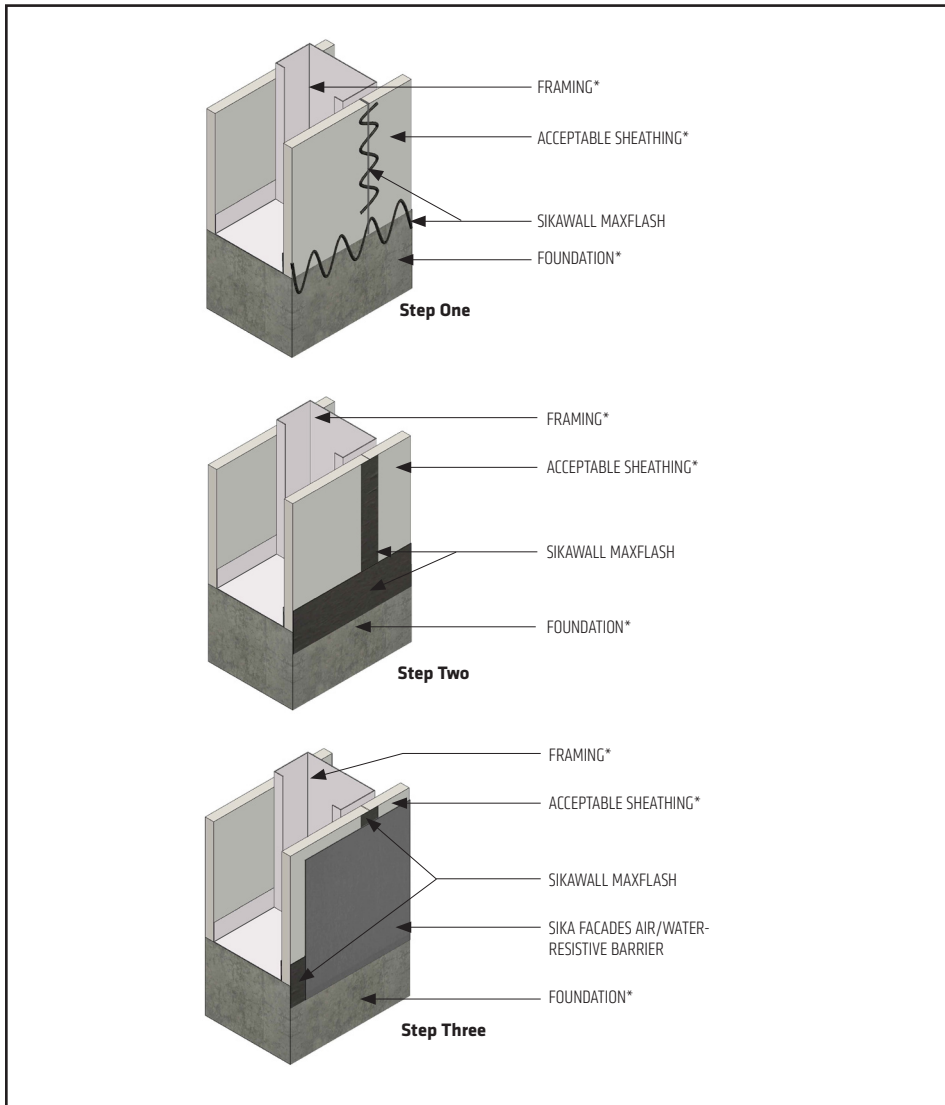
- Ensure that SikaWall MaxFlash is uniformly applied to rough openings at a 12–20 mil thickness.
- Ensure that SikaWall MaxFlash is applied to sheathing joints at a 20 mil thickness.
- Extend SikaWall MaxFlash at least 4" (100 mm) onto the exterior wall, maintaining 12–20 mil thickness.
- Allow SikaWall MaxFlash to skin before applying Sika Facades fluid-applied air/water-resistive barrier.
- Lap air/water-resistive barrier at least 2" (50 mm) onto SikaWall MaxFlash, creating a continuous, monolithic air/water-resistive barrier.

The details within are the latest recommendations and are represented in good faith by Sika Corporation US (hereinafter Sika). The details are subject to change without notice. Sika accepts no liability for the end use of the details. For conditions not shown, consult Sika for review of specific details.

- Install Sika materials in accordance with current installation instructions.
- Unsatisfactory conditions shall be reported to the General Contractor and corrected before the application of Sika products.

# SikaWall®-80 MaxFlash

## TYPICAL TERMINATION AT ABOVE GRADE



- Ensure that SikaWall MaxFlash is applied at a 20 mil thickness.
- Extend SikaWall MaxFlash at least 1" (25 mm) on either side of foundation joints.
- Allow SikaWall MaxFlash to skin before applying Sika Facades fluid-applied air/water-resistant barrier.

MF-10 2501

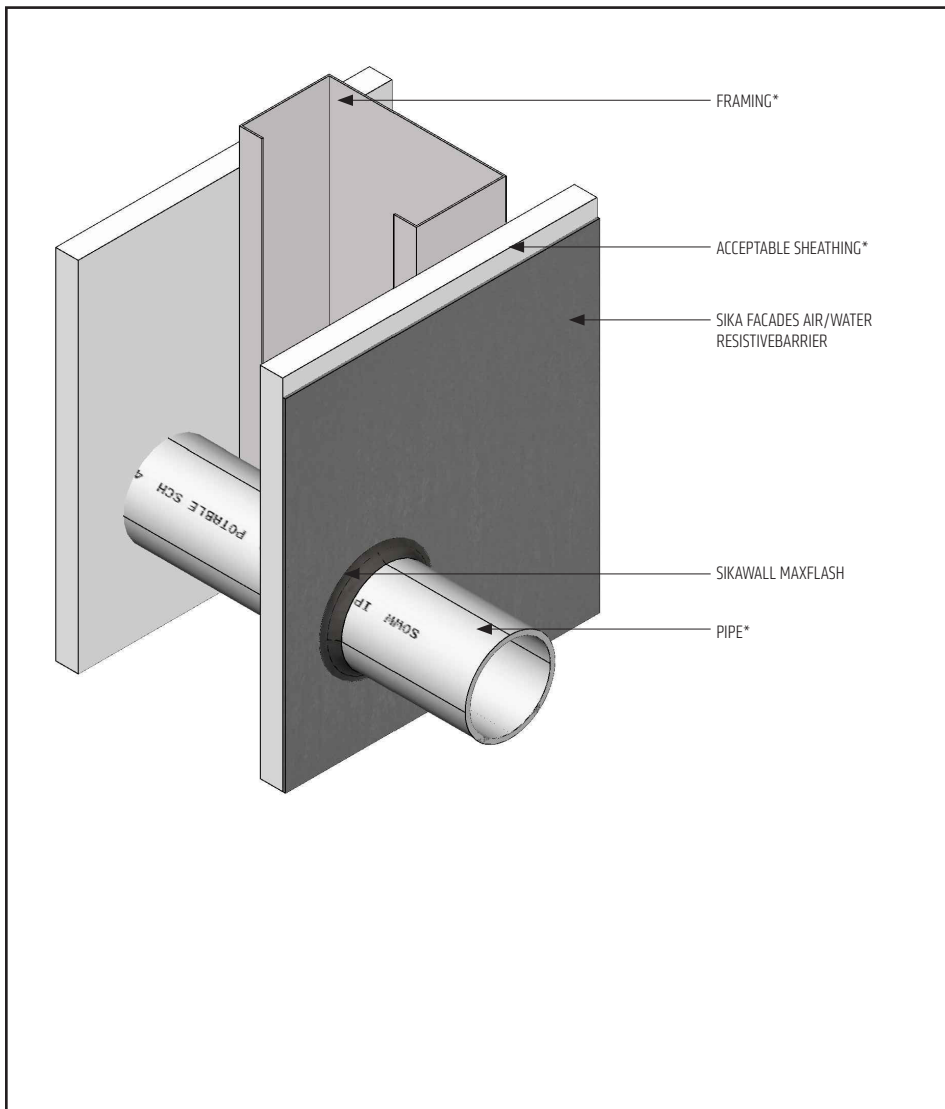
(\*NOTE: BY OTHERS)

The details within are the latest recommendations and are represented in good faith by Sika Corporation US (hereinafter Sika). The details are subject to change without notice. Sika accepts no liability for the end use of the details. For conditions not shown, consult Sika for review of specific details.

- Install Sika materials in accordance with current installation instructions.
- Unsatisfactory conditions shall be reported to the General Contractor and corrected before the application of Sika products.

# SikaWall®-80 MaxFlash

## TYPICAL PIPE PENETRATION



- Maximum 1/2" gap at penetrations. Gaps greater than 1/2" would require SikaWall-85 Flash Seal NP or low expansion spray foam.

MF-11 2501

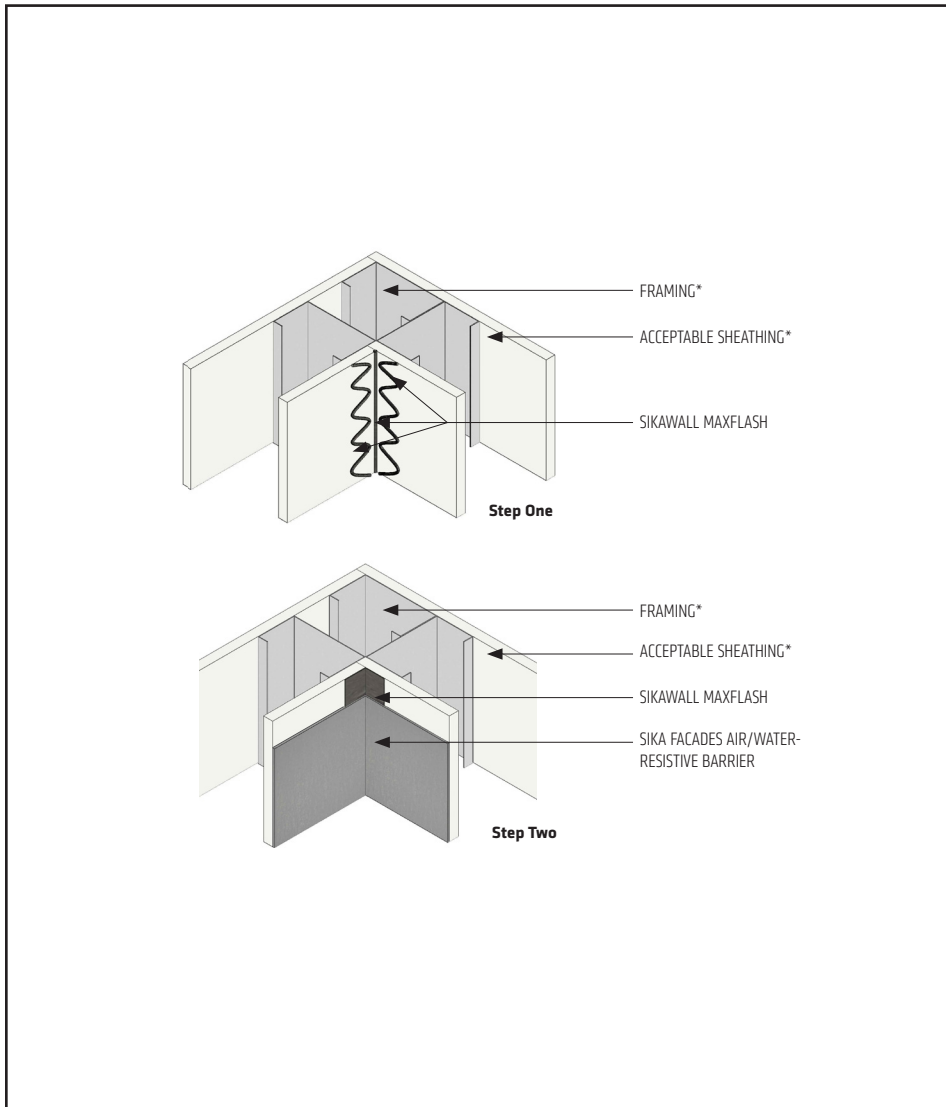
(\*NOTE: BY OTHERS)

The details within are the latest recommendations and are represented in good faith by Sika Corporation US (hereinafter Sika). The details are subject to change without notice. Sika accepts no liability for the end use of the details. For conditions not shown, consult Sika for review of specific details.

- Install Sika materials in accordance with current installation instructions.
- Unsatisfactory conditions shall be reported to the General Contractor and corrected before the application of Sika products.

# SikaWall®-80 MaxFlash

## TYPICAL SHEATHING JOINT - INSIDE CORNER



- Ensure that SikaWall MaxFlash is applied to sheathing joints at a 20 mil thickness.
- Extend MaxFlash at least 1" (25 mm) on either side of sheathing joints.
- Allow MaxFlash to skin before applying fluid-applied air/water-resistive barrier.
- MaxFlash can be used to treat sheathing joints up to 1/2" wide, not for use in expansion joints.

MF-12 2501

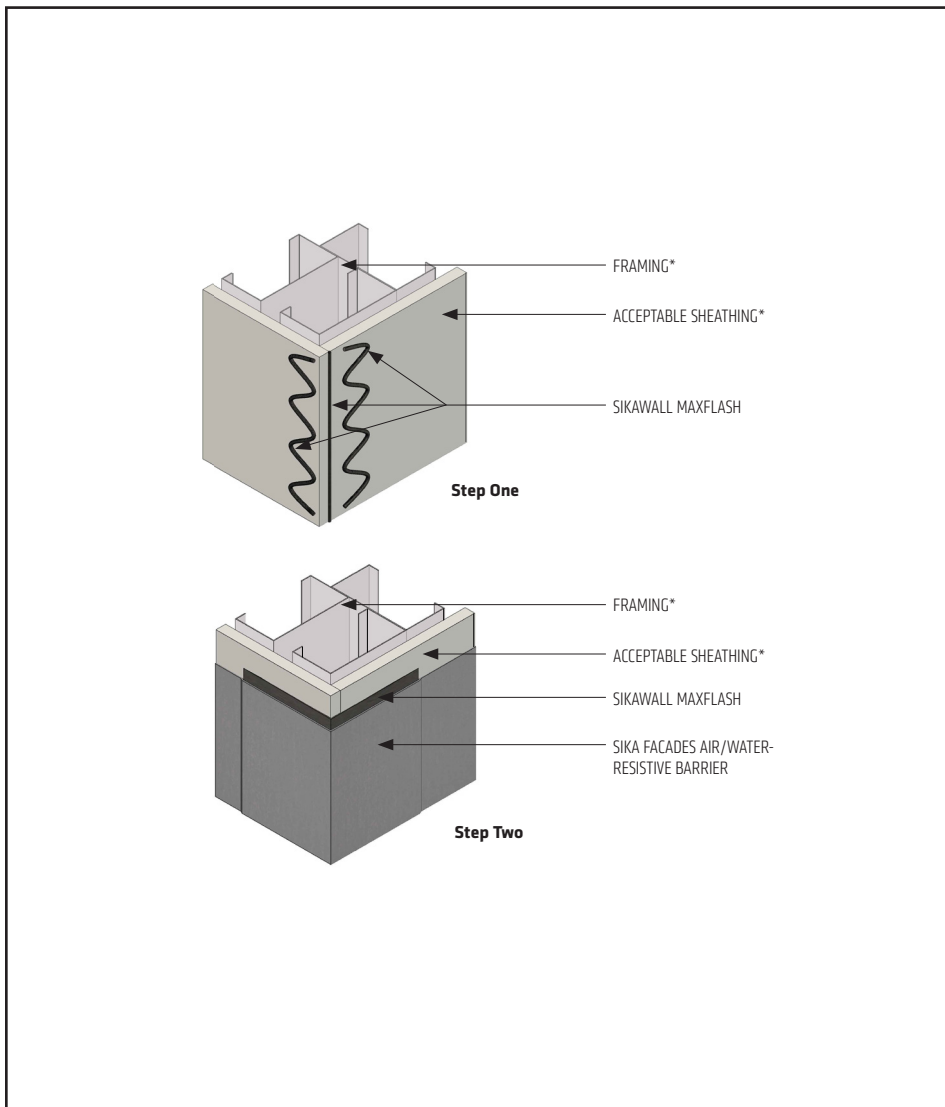
(\*NOTE: BY OTHERS)

The details within are the latest recommendations and are represented in good faith by Sika Corporation US (hereinafter Sika). The details are subject to change without notice. Sika accepts no liability for the end use of the details. For conditions not shown, consult Sika for review of specific details.

- Install Sika materials in accordance with current installation instructions.
- Unsatisfactory conditions shall be reported to the General Contractor and corrected before the application of Sika products.

# SikaWall®-80 MaxFlash

## TYPICAL SHEATHING JOINT - OUTSIDE CORNER



- Ensure that SikaWall MaxFlash is applied to sheathing joints at a 20 mil thickness.
- Extend SikaWall MaxFlash at least 1" (25 mm) on either side of corners.
- Allow SikaWall MaxFlash to skin before applying Sika Facades fluid-applied air/water-resistive barrier.
- MaxFlash can be used to treat sheathing joints up to 1/2" wide, not for use in expansion joints.

MF-13 2501

(\*NOTE: BY OTHERS)

The details within are the latest recommendations and are represented in good faith by Sika Corporation US (hereinafter Sika). The details are subject to change without notice. Sika accepts no liability for the end use of the details. For conditions not shown, consult Sika for review of specific details.

- Install Sika materials in accordance with current installation instructions.
- Unsatisfactory conditions shall be reported to the General Contractor and corrected before the application of Sika products.

## **LIMITED WARRANTY NOTICE**

Prior to each use of any product of Sika Corporation, its subsidiaries or affiliates ("SIKA"), the user must always read and follow the warnings and instructions on the product's most current product label, Product Data Sheet and Safety Data Sheet which are available at [usa.sika.com](http://usa.sika.com) or by calling our Technical Service Department at +1 (800) 589-1336.

Nothing contained in any SIKA literature or materials relieves the user of the obligation to read and follow the warnings and instructions for each SIKA product as set forth in the current product label, Product Data Sheet and Safety Data Sheet prior to use of the SIKA product.

SIKA warrants this product for one year from date of installation to be free from manufacturing defects and to meet the technical properties on the current Product Data Sheet if used as directed within the product's shelf life. User determines suitability of product for intended use and assumes all risks. User's and/or buyer's sole remedy shall be limited to the purchase price or replacement of this product exclusive of any labor costs. NO OTHER WARRANTIES EXPRESS OR IMPLIED SHALL APPLY INCLUDING ANY WARRANTY OF MERCHANTABILITY OR FITNESS FOR A PARTICULAR PURPOSE. SIKA SHALL NOT BE LIABLE UNDER ANY LEGAL THEORY FOR SPECIAL OR CONSEQUENTIAL DAMAGES. SIKA SHALL NOT BE RESPONSIBLE FOR THE USE OF THIS PRODUCT IN A MANNER TO INFRINGE ON ANY PATENT OR ANY OTHER INTELLECTUAL PROPERTY RIGHTS HELD BY OTHERS. Sale of SIKA products are subject to the Terms and Conditions of Sale which are available at [usa.sika.com](http://usa.sika.com).



For the most current version of this literature, please visit our website at [usa.sika.com](http://usa.sika.com).

**Sika Corporation**

201 Polito Avenue  
Lyndhurst, NJ 07071 USA  
Customer Service +1 (800) 433-9517  
Technical Service +1 (800) 589-1336  
[usa.sika.com](http://usa.sika.com)

Rev January 2025

**BUILDING TRUST**

